

BEGA**45 729.4 P**

Pendant luminaire for indoor use

Project · Reference number

Date

Product data sheet**Application**

Pendant luminaire · indoor luminaire for free-radiating and uniform light with white synthetic globe.

With metal housing and rod.

Product description

Metal fitter, rod suspension and canopy, finish brass

White synthetic globe

Diameter of rod 13 mm

Overall length of luminaire approx. 2000 mm

Lampholder E 27

Safety class I

CE – Conformity mark

Weight: 5.1 kg

Light technique

Luminaire data for the light planning program DIALux for outdoor lighting, street lighting and indoor lighting as well as luminaire data in EULUMDAT- and IES-format you will find on the BEGA web page www.bega.com.

Lamps

Luminaire with lampholder E 27

Lamp output max. 150 W

For this luminaire we recommend the following BEGA LED lamps:

13 510 LED 7 W · 805 lm · 2700 K

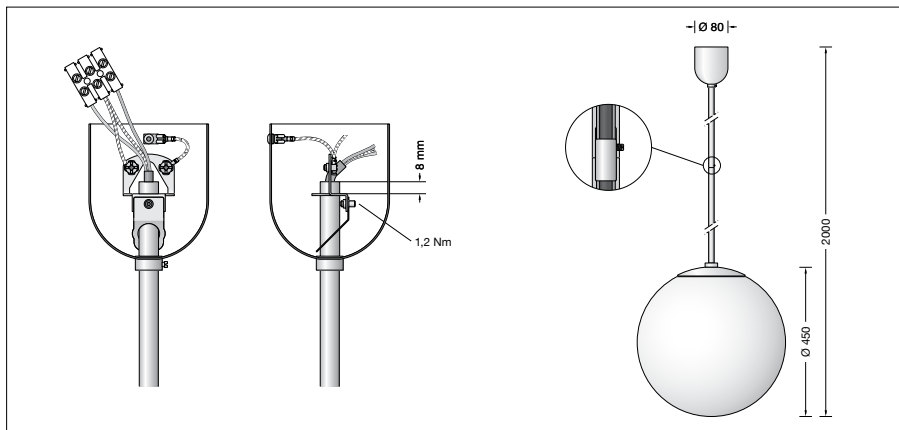
13 548 LED 7 W · 805 lm · 2700 K
dimnable

13 512 LED 8 W · 1055 lm · 2700 K

13 564 LED 12 W · 1400 lm · 2700 K

13 565 LED 12 W · 1400 lm · 2700 K
dimnable

Detailed technical and lighting data for the lamps can be found in the data sheets on our website.

**Article No. 45 729.4 P**

Optional finishes

- White enamel code number **.1**
- Stainless steel code number **.2**
- Chrome code number **.3**
- Brass code number **.4**

If the article number is followed by a **P**, we can also supply these luminaires in impact-resistant synthetic material.