

BEGA**45 236.3**

Pendant luminaire for indoor use



Project · Reference number

Date

Product data sheet

Application

LED Pendant luminaire · indoor luminaire with crystal glass for directed light to provide a high horizontal illuminance.

Metal luminaire housing and canopy.

Product description

Aluminium luminaire housing and metal canopy, finish polished aluminium

Crystal glass with screw neck

Black flex suspension $3 \times 0.75 \square$

Overall length of luminaire approx. 2000 mm

Connecting terminals


and earth conductor terminal $2,5 \square$


LED power supply unit

220-240 V \sim 0/50-60 Hz

DC 170-280 V

Safety class I

 – Safety mark

 – Conformity mark

Weight: 0,8 kg

Inrush current

Inrush current: 27 A / 250 μ s

Maximum number of luminaires of this type per miniature circuit breaker:

B10A: 17 luminaires

B16A: 27 luminaires

C10A: 28 luminaires

C16A: 46 luminaires

Lighting technology

Half beam angle 51°

Luminaire data for the light planning program DIALux for outdoor lighting, street lighting and interior lighting as well as luminaire data in EULUMDAT and IES format are available on our website www.bega.com.

Lamp

Module connected wattage 3 W

Luminaire connected wattage 4.4 W

Rated temperature $t_a = 25^\circ\text{C}$

Ambient temperature $t_{a \max} = 45^\circ\text{C}$

45 236.3 K3

Module designation LED-0349/930

Colour temperature 3000 K

Colour rendering index CRI > 90

Module luminous flux 445 lm

Luminaire luminous flux 259 lm

Luminaire luminous efficiency 58,9 lm/W

45 236.3 K4

Module designation LED-0349/940

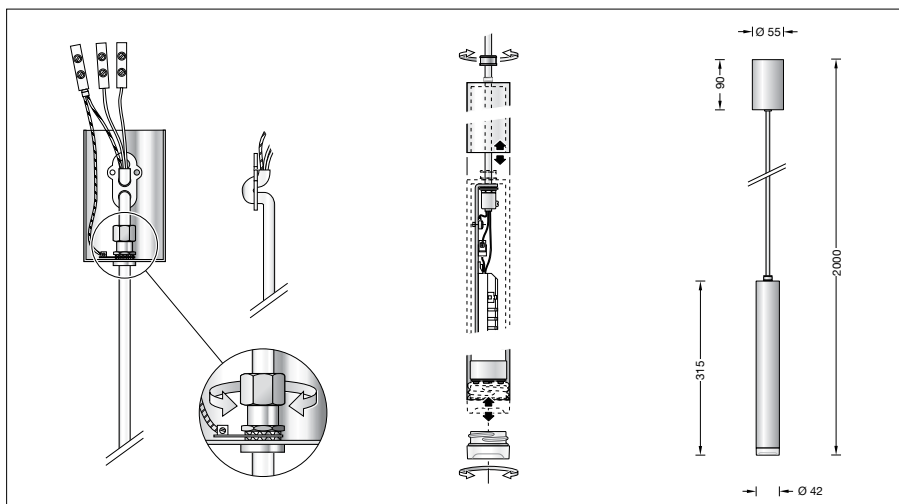
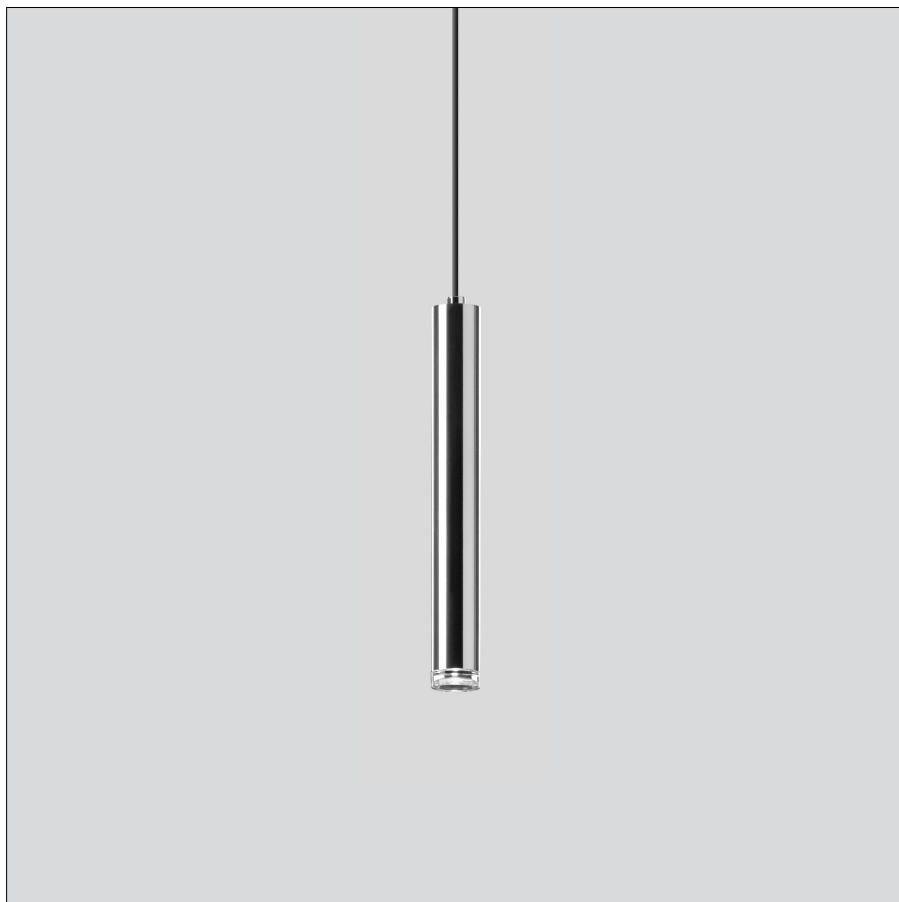
Colour temperature 4000 K

Colour rendering index CRI > 90

Module luminous flux 460 lm

Luminaire luminous flux 268 lm

Luminaire luminous efficiency 60,9 lm/W

**Lifetime of the LED**

Ambient temperature $t_a = 15^\circ\text{C}$

– at 50,000h: L90B10

– at > 500,000h: L70B50

Ambient temperature $t_a = 25^\circ\text{C}$

– at 50,000h: L90B10

– at > 500,000h: L70B50

max. ambient temperature $t_a = 45^\circ\text{C}$

– at 50,000h: L90B10

– at 289,000h: L70B50

Article No. 45 236.3

LED colour temperature optionally 3000K or 4000K

3000 K – Article number + **K3**

4000 K – Article number + **K4**

Finish options

- Enamel, white
- Stainless steel
- Polished aluminium

Code number **.1**

Code number **.2**

Code number **.3**