

**BEGA****31 032**

Pillar luminaire »Berlin«



Project · Reference number

Date

## Product data sheet

### Application

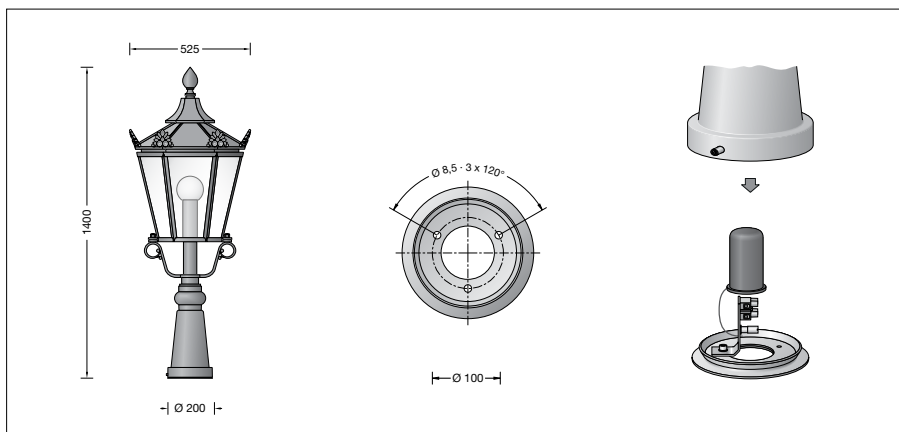
LED luminaire with antique glass for installation on pillars, walls and parapets. The used LED technique offers durability and optimal light output with low power consumption at the same time.

### Product description

Luminaire made of aluminium alloy, aluminium and stainless steel  
 Antique glass  
 Mounting plate with 3 fixing holes  $\varnothing$  8.5 mm  
 Angle  $120^\circ$  · Pitch circle  $\varnothing$  100 mm  
 Mounting bracket with 2-pole terminal block 4<sup>□</sup> and earth conductor terminal for connection of mains supply cable max.  $3 \times 2.5^{\square}$   
 LED power supply unit  
 220-240 V  $\sim$  0/50-60 Hz  
 DC 198-280 V  
 Safety class I  
 Protection class IP 44  
 Protected against granular foreign bodies > 1 mm and splash water  
 – Safety mark  
 – Conformity mark  
 Weight: 18.6 kg

### Inrush current

Inrush current: 5 A / 50  $\mu$ s  
 Maximum number of luminaires of this type per miniature circuit breaker:  
 B10A: 30 luminaires  
 B16A: 50 luminaires  
 C10A: 52 luminaires  
 C16A: 80 luminaires



### Lamp

Module connected wattage	17.5 W
Luminaire connected wattage	21 W
Rated temperature	$t_a = 25^\circ\text{C}$
Ambient temperature	$t_{a\text{max}} = 35^\circ\text{C}$

On request we can offer you modifications for environments with higher temperatures as a customized product.

### 31 032 K3

Module designation	LED-0485/830
Colour temperature	3000 K
Colour rendering index	CRI > 80
Module luminous flux	2120 lm
Luminaire luminous flux	1003 lm
Luminaire luminous efficiency	47,8 lm/W

### Lifetime of the LED

Ambient temperature $t_a = 15^\circ\text{C}$	
– at 50,000h:	L90B10
– at 370,000h:	L70B50

Ambient temperature $t_a = 25^\circ\text{C}$	
– at 50,000h:	L90B10
– at 275,000h:	L70B50

max. ambient temperature $t_a = 35^\circ\text{C}$	
– at 50,000h:	L90B50
– at 220,000h:	L70B50