

BEGA**31 031**

Pillar luminaire »Berlin«



Project · Reference number

Date

Product data sheet

Application

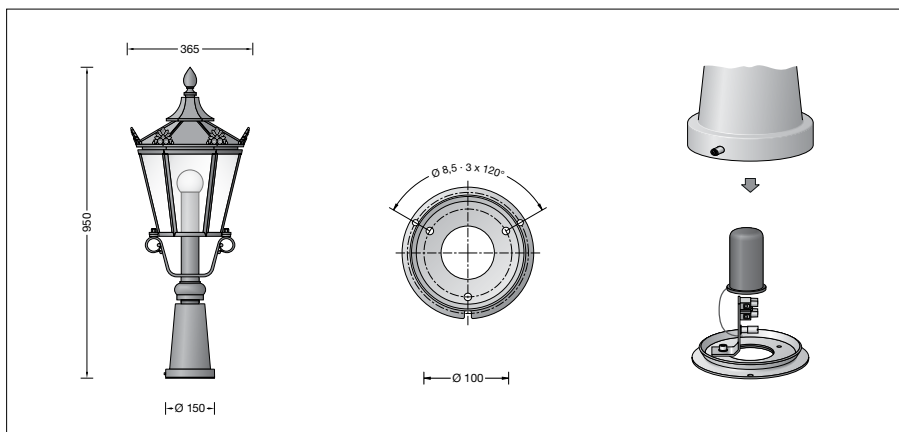
LED luminaire with antique glass for installation on pillars, walls and parapets.
The used LED technique offers durability and optimal light output with low power consumption at the same time.

Product description

Luminaire made of aluminium alloy, aluminium and stainless steel
Antique glass
Mounting plate with 3 fixing holes \varnothing 8.5 mm
Angle 120° · Pitch circle \varnothing 100 mm
Mounting bracket with 2-pole terminal block 4[□] and earth conductor terminal for connection of mains supply cable max. $3 \times 2.5^{\square}$
LED power supply unit
220-240 V \sim 0/50-60 Hz
DC 176-280 V
Safety class I
Protection class IP 23
Protected against granular foreign bodies > 12 mm and showers up to 60°
 – Safety mark
 – Conformity mark
Weight: 6.6 kg

Inrush current

Inrush current: 20 A / 80 μ s
Maximum number of luminaires of this type per miniature circuit breaker:
B10A: 35 luminaires
B16A: 56 luminaires
C10A: 58 luminaires
C16A: 94 luminaires



Lamp

Module connected wattage 13 W
Luminaire connected wattage 15 W
Rated temperature $t_a = 25^\circ\text{C}$
Ambient temperature $t_{a\text{max}} = 40^\circ\text{C}$

Module designation LED-0484/830
Colour temperature 3000 K
Colour rendering index $R_a > 80$
Module luminous flux 1415 lm
Luminaire luminous flux 600 lm
Luminaire luminous efficiency 40 lm/W

Lifetime of the LED

Ambient temperature $t_a = 15^\circ\text{C}$
– at 50,000h: L90B10
– at 350,000h: L70B50
Ambient temperature $t_a = 25^\circ\text{C}$
– at 50,000h: L90B50
– at 260,000h: L70B50
max. ambient temperature $t_a = 40^\circ\text{C}$
– at 50,000h: L80B10
– at 170,000h: L70B50