

BEGA**31 026**

Pillar luminaire »Rom«



Project · Reference number

Date

Product data sheet

Application

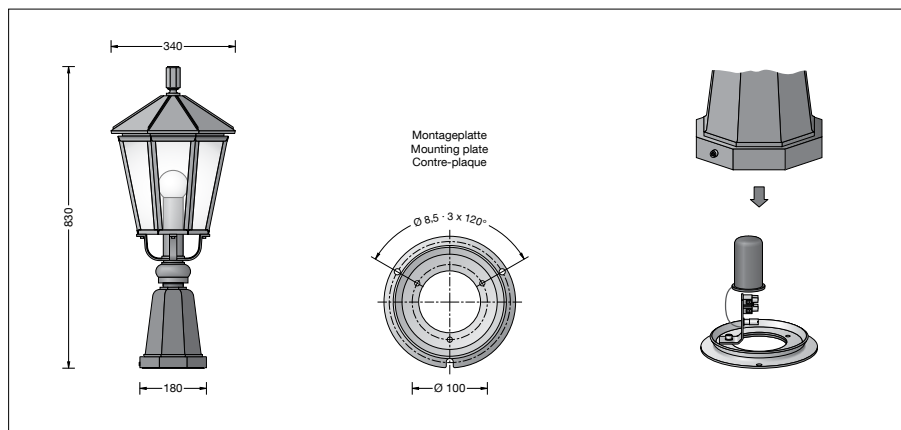
LED luminaire with antique glass for installation on pillars, walls and parapets. The used LED technique offers durability and optimal light output with low power consumption at the same time.

Product description

Luminaire made of aluminium alloy, aluminium and stainless steel
 Antique glass
 Mounting plate with 3 fixing holes \varnothing 8.5 mm
 Angle 120° · Pitch circle \varnothing 100 mm
 Mounting bracket with 2-pole terminal block 4[□] and earth conductor terminal for connection of mains supply cable max. $3 \times 2.5^{\square}$
 LED power supply unit
 220-240 V \sim 0/50-60 Hz
 DC 176-280 V
 Safety class I
 Protection class IP 23
 Protected against granular foreign bodies > 12 mm and showers up to 60°
 – Safety mark
 – Conformity mark
 Weight: 7.8 kg

Inrush current

Inrush current: 20 A / 80 μ s
 Maximum number of luminaires of this type per miniature circuit breaker:
 B10A: 35 luminaires
 B16A: 56 luminaires
 C10A: 58 luminaires
 C16A: 94 luminaires



Lamp

Module connected wattage	13 W
Luminaire connected wattage	15 W
Rated temperature	$t_a = 25^\circ\text{C}$
Ambient temperature	$t_{a\text{max}} = 35^\circ\text{C}$

On request we can offer you modifications for environments with higher temperatures as a customized product.

Module designation	LED-0484/830
Colour temperature	3000 K
Colour rendering index	$R_a > 80$
Module luminous flux	1415 lm
Luminaire luminous flux	526 lm
Luminaire luminous efficiency	35,1 lm/W

Lifetime of the LED

Ambient temperature $t_a = 15^\circ\text{C}$	
– at 50,000h:	L90B10
– at 350,000h:	L70B50

Ambient temperature $t_a = 25^\circ\text{C}$	
– at 50,000h:	L90B50
– at 260,000h:	L70B50

max. ambient temperature $t_a = 35^\circ\text{C}$	
– at 50,000h:	L80B10
– at 200,000h:	L70B50