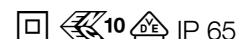


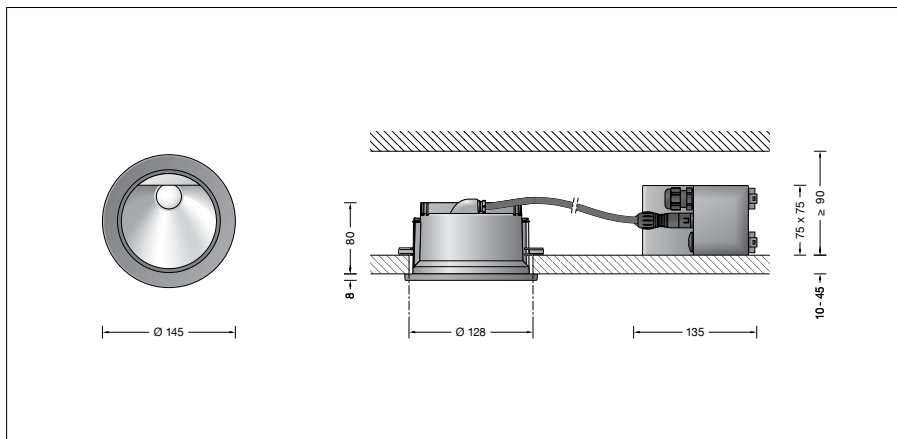
BEGA**24 841**

Recessed ceiling downlight



Project · Reference number

Date



Product data sheet

Product description

Luminaire made of aluminium alloy, aluminium and stainless steel
 BEGA Unidure® coating technology
 End ring with safety glass and reflector – twist-locking
 Clear safety glass
 Silicone gasket
 Optical silicone lens · BEGA Constant Optics®
 Reflector surface made of pure aluminium
 Luminaire housing with 2 fixing claws and guide screws
 Recessed opening \varnothing 128 mm
 Recessed depth required 90 mm
 The external connection housing is made of glass fibre reinforced synthetic material (polyamide)
 220-240 V \sim 0/50-60 Hz
 2 screw cable glands with strain relief for through-wiring power connecting cable \varnothing 4–10 mm, max. 5 x 1.5[□]
 1 screw cable gland closed at the factory with a dummy plug
 Connecting terminals 2.5[□]
 0.5 m connection cable with plug between the luminaire and the power supply unit
 LED power supply unit
 220-240 V \sim 0/50-60 Hz
 DC 176-280 V
 DC Start \geq 190 V
 DALI controllable
 A basic isolation exists between power cable and control line
 BEGA Thermal Control®
 Temporary thermal regulation to protect temperature-sensitive components without switching off the luminaire
 Safety class II
 Protection class IP 65
 Dust-tight and protection against water jets
 Impact strength IK07
 Protection against mechanical impacts < 2 joule
 – Safety mark
 – Conformity mark

Application

LED recessed ceiling downlight with external DALI controllable power supply unit for installation into concrete ceilings or suspended ceilings both indoors and out.
 With asymmetrical light distribution.

Lamp

Module connected wattage 11.5 W
 Luminaire connected wattage 14 W
 Rated temperature $t_a = 25$ °C
 Ambient temperature $t_{a, \max} = 40$ °C
 When installed in heat-insulating material $t_{a, \max} = 35$ °C

24 841 K3

Module designation LED-0800/830
 Colour temperature 3000 K
 Colour rendering index CRI > 80
 Module luminous flux 2025 lm
 Luminaire luminous flux 1212 lm
 Luminaire luminous efficiency 86,6 lm/W

24 841 K4

Module designation LED-0800/840
 Colour temperature 4000 K
 Colour rendering index CRI > 80
 Module luminous flux 2080 lm
 Luminaire luminous flux 1245 lm
 Luminaire luminous efficiency 88,9 lm/W

Lighting technology

Half beam angle 63/64°
 Luminaire data for the light planning program DIALux for outdoor lighting, street lighting and interior lighting as well as luminaire data in EULUMDAT and IES format are available on our website www.bega.com.

Inrush current

Inrush current: 24 A / 115 μ s
 Maximum number of luminaires of this type per miniature circuit breaker:
 B10A: 31 luminaires
 B16A: 51 luminaires
 C10A: 53 luminaires
 C16A: 86 luminaires

Service life · Ambient temperature

Rated temperature $t_a = 25$ °C
 LED psu: > 50,000 h
 LED module: 145,000 h (L80B50)

Ambient temperature $t_{a, \max} = 40$ °C (100 %)
 LED psu: 50,000 h
 LED module: 110,000 h (L80B50)

Article No. 24 841

LED colour temperature optionally 3000 K or 4000 K
 3000 K – Article number + **K3**
 4000 K – Article number + **K4**

Colour optionally graphite or white
 Graphite – Article number
 White – Article number + **W**

Accessories

10 441 Installation housing

A separate instructions for use can be provided upon request.

Light distribution