

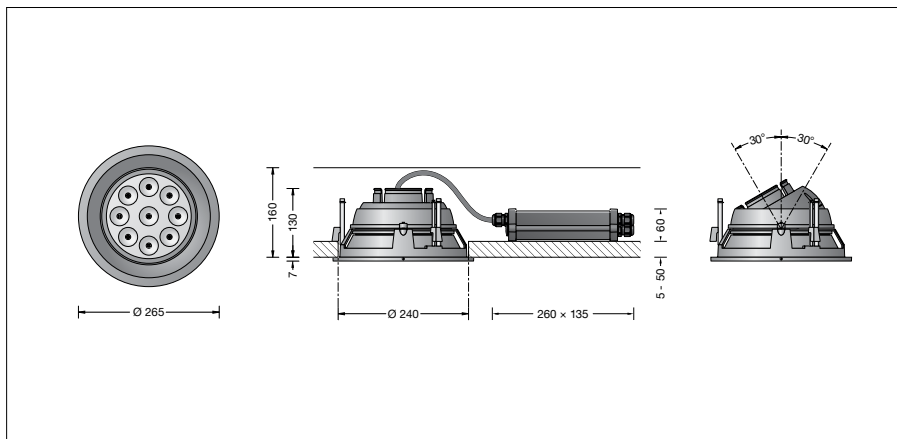
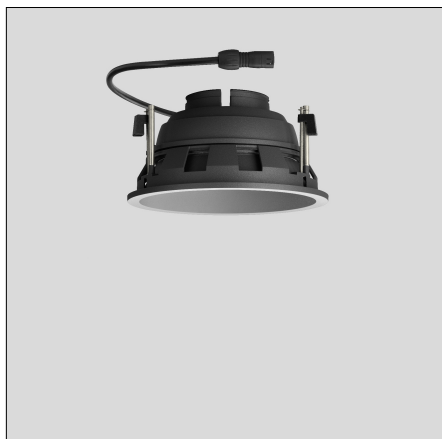
BEGA**24 838**

Recessed ceiling luminaire

IP 65

Project · Reference number

Date



Product data sheet

Application

LED recessed ceiling luminaire with adjustable light distribution for additive colour mixing RGBW.

The luminaire can be controlled by DALI colour light control (DT8, RGBWAF).

We recommend our BEGA Control system for this purpose.

With external DALI controllable power supply unit for installation in suspended ceilings both indoors and out.

Product description

Luminaire made of aluminium alloy, aluminium and stainless steel
 Safety glass with optical structure
 Silicone gasket
 Luminaire housing with 3 fixing claws and guide screws
 Recessed opening \varnothing 240 mm
 Recessed depth required 160 mm
 0.5 m connection cable between the luminaire and the power supply unit
 2 screw cable glands with strain relief for through-wiring of the mains supply cable from \varnothing 5-10 mm, max. $5 \times 1.5^{\square}$
 1 screw cable gland closed at the factory with a dummy plug
 LED power supply unit in external housing
 220-240 V \sim 50-60 Hz
 DALI controllable
 Safety class I
 Protection class IP 65
 Dust-tight and protection against water jets
CE – Conformity mark
 Weight: 3.9 kg

Lamp

Module connected wattage	23.4 W
Luminaire connected wattage	30 W
Rated temperature	$t_a = 25^{\circ}\text{C}$
Ambient temperature	$t_{a\text{max}} = 25^{\circ}\text{C}$

Module designation	LED-0534/RGBW
Luminaire luminous flux	1105 lm
Luminaire luminous efficiency	36,8 lm/W

Lifetime of the LED

Ambient temperature $t_a = 15^{\circ}\text{C}$

– at 50,000 h: L80B10
 – at 85,000 h: L70B50

max. ambient temperature $t_a = 25^{\circ}\text{C}$

– at 50,000 h: L80B10
 – at 85,000 h: L70B50

Inrush current

Inrush current: 19 A / 184 μs
 Maximum number of luminaires of this type per miniature circuit breaker:
 B10A: 26 luminaires
 B16A: 42 luminaires
 C10A: 43 luminaires
 C16A: 70 luminaires

Light technique

Recessed luminaire with adjustable optical system.

Optical system 0-30° swivel-mounted and $\pm 180^{\circ}$ infinitely rotatable.

Narrow beam rotationally symmetrical light distribution. Half beam angle 22°

By changing the diffuser lens it is possible to alter the symmetrical light distribution into a wide beam or flat beam light distribution.

For wide beam light distribution:

Diffuser lens **10048**

For flat beam light distribution:

Diffuser lens **10019**

Light cone $\pm 90^{\circ}$ rotatable.

Article No. 24 838

Colour graphite or white graphite – article number
 white – article number + **W**

Accessories

10444 Installation housing

Exchangeable lenses

10048 wide beam

10019 flat beam

For the accessories a separate instructions for use can be provided upon request.