

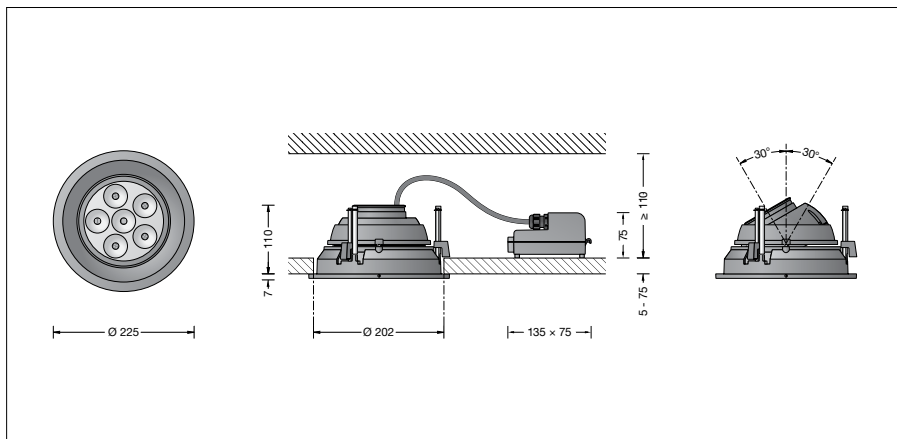
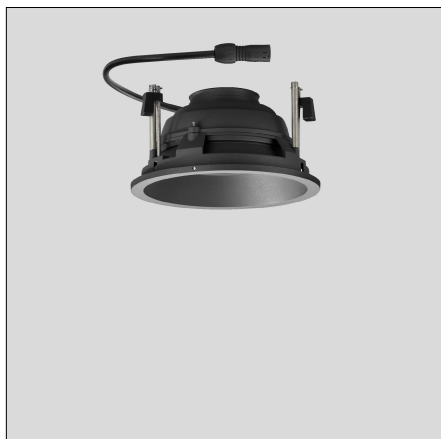
BEGA**24 835**

Recessed ceiling downlight



Project · Reference number

Date



Product data sheet

Product description

Luminaire made of aluminium alloy, aluminium and stainless steel
 BEGA Unidure® coating technology
 The external connection housing is made of glass fibre reinforced synthetic material (polyamide)
 220-240 V ~ 0/50-60 Hz
 Safety glass with optical structure
 Silicone gasket
 Luminaire housing with 3 fixing claws and guide screws
 Recessed opening \varnothing 202 mm
 Recessed depth required 140 mm
 0.5 m connection cable between the luminaire and the power supply unit
 2 screw cable glands with strain relief for through-wiring of the mains supply cable from \varnothing 5-10 mm, max. $5 \times 1.5^{\square}$
 1 screw cable gland closed at the factory with a dummy plug
 LED power supply unit in external housing
 220-240 V ~ 0/50-60 Hz
 DC 176-264 V
 During DC operation the LED power is reduced to 50 %
 DALI controllable (Device Type 8 for Tunable White according to IEC 62386-209)
 A basic isolation exists between power cable and control line
 Safety class II
 Protection class IP 65
 Dust-tight and protection against water jets
 Impact strength IK07
 Protection against mechanical impacts < 2 joule
 – Safety mark
 – Conformity mark
 Weight: 2.3 kg

Application

Compact LED downlight with adjustable light distribution and with adjustable LED colour temperature (Tunable White).
 The luminaire can be controlled by DALI colour light control (DT8, TW).
 We recommend our BEGA Control system for this purpose.
 With external DALI controllable power supply unit for installation into concrete ceilings or suspended ceilings both indoors and out.

Lamp

Module connected wattage	12 W
Luminaire connected wattage	14.3 W
Rated temperature	$t_a = 25^{\circ}\text{C}$
Ambient temperature	$t_{a\text{max}} = 55^{\circ}\text{C}$
When installed in heat-insulating material	$t_{a\text{max}} = 40^{\circ}\text{C}$

Module designation	LED-0833/9TW
Colour temperature	adjust. 2700 - 6500 K
Colour rendering index	$R_a > 90$
Module luminous flux	1435 lm
Luminaire luminous flux	778 lm
Luminaire luminous efficiency	54,4 lm/W

Setting the colour temperature

The LED colour temperature of the luminaire can be set from 2700 to 6500 K ("Tunable White").
 Please note: To be able to set the LED colour temperature, the controller used must support DALI Device Type 8.
 If no LED colour temperature setting is made, 4000 K will be used by default.

Service life · Ambient temperature

Rated temperature t_a	25°C
LED psu:	> 50,000 h
LED module:	> 200,000 h (L 80 B 50) 100,000 h (L 90 B 50)

Ambient temperature $t_{a\text{max}}$	55°C (100 %)
LED psu:	50,000 h
LED module:	120,000 h (L 80 B 50)

Light technique

Recessed luminaire with adjustable optical system.
 Optical system 0-30° swivel-mounted and $\pm 180^{\circ}$ infinitely rotatable.
 Narrow beam rotationally symmetrical light distribution. Half beam angle 21°
 For special lighting applications, it is possible to alter the symmetrical light cone to create wide beam or flat beam light distribution by changing the cover glass.

For wide beam light distribution:

Diffuser lens **10047**

For flat beam light distribution:

Diffuser lens **10016**

Light cone $\pm 90^{\circ}$ rotatable.

Article No. 24 835

Colour optionally graphite or white

Graphite – Article number

White – Article number + **W**

Accessories

10 443 Installation housing

Exchangeable lenses

10 047 wide beam

10 016 flat beam

For the accessories a separate instructions for use can be provided upon request.