

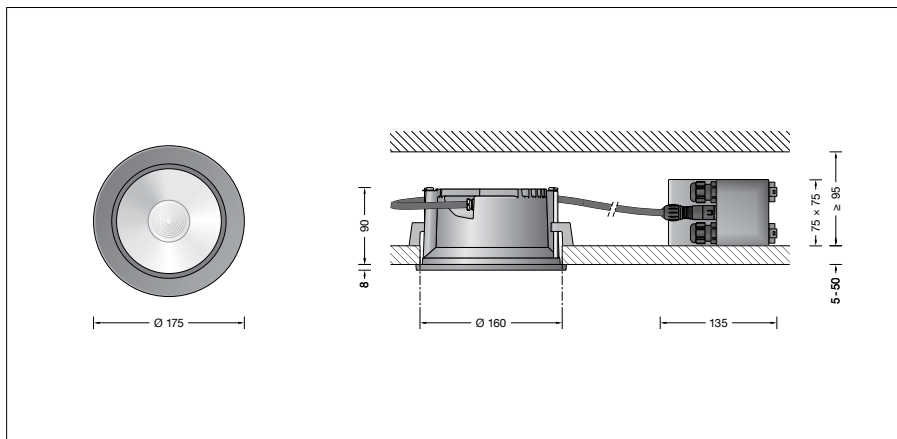
BEGA**24 833**

Recessed ceiling luminaire




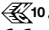
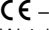
Project · Reference number

Date



Product data sheet

Product description

Luminaire made of aluminium alloy, aluminium and stainless steel
 End ring with safety glass – twist locking
 Clear safety glass
 Silicone gasket
 Optical silicone lens
 Reflector surface made of pure aluminium
 Luminaire housing with 2 fixing claws and guide screws
 Recessed opening \varnothing 160 mm
 Recessed depth required 95 mm
 The external connection housing is made of glass fibre reinforced synthetic material (polyamide).
 2 screw cable glands with strain relief for through-wiring power connecting cable \varnothing 4–10 mm, max. $5 \times 1.5^{\square}$
 1 screw cable gland closed at the factory with a dummy plug
 Connecting terminals 2.5^{\square}
 0.5 m connection cable with plug between the luminaire and the power supply unit
 LED power supply unit
 220–240 V \sim 0/50–60 Hz
 DC 176–264 V
 During DC operation the LED power is reduced to 50 %
 DALI controllable
 A basic isolation exists between power cable and control line
 Safety class II 
 Protection class IP 65
 Dust-tight and protection against water jets
 Impact strength IK08
 Protection against mechanical impacts < 5 joule
 – Safety mark
 – Conformity mark
 Weight: 1.5 kg

Application

LED recessed ceiling downlight with external DALI controllable power supply unit for installation into concrete ceilings or suspended ceilings both indoors and out.
 With symmetrical wide beam light distribution.

Lamp

Module connected wattage 24.1 W
 Luminaire connected wattage 28 W
 Rated temperature $t_a = 25^{\circ}\text{C}$
 Ambient temperature $t_{a \text{ max}} = 35^{\circ}\text{C}$

24 833 K3

Module designation LED-0800/830
 Colour temperature 3000 K
 Colour rendering index CRI > 80
 Module luminous flux 3910 lm
 Luminaire luminous flux 2753 lm
 Luminaire luminous efficiency 98,3 lm/W

24 833 K4

Module designation LED-0800/840
 Colour temperature 4000 K
 Colour rendering index CRI > 80
 Module luminous flux 4010 lm
 Luminaire luminous flux 2823 lm
 Luminaire luminous efficiency 100,8 lm/W

Lighting technology

Half beam angle 63°
 Luminaire data for the light planning program DIALux for outdoor lighting, street lighting and interior lighting as well as luminaire data in EULUMDAT and IES format are available on our website www.bega.com.

Inrush current

Inrush current: 5 A / 100 μs
 Maximum number of luminaires of this type per miniature circuit breaker:
 B 10A: 27 luminaires
 B 16A: 44 luminaires
 C 10A: 27 luminaires
 C 16A: 44 luminaires

Service life · Ambient temperature

Rated temperature $t_a = 25^{\circ}\text{C}$
 LED psu: > 50,000 h
 LED module: 110,000 h (L 80 B 50)
 100,000 h (L 80 B 50)

Ambient temperature $t_{a \text{ max}} = 35^{\circ}\text{C}$ (100 %)
 LED psu: 50,000 h
 LED module: 90,000 h (L 80 B 50)
 100,000 h (L 70 B 50)

Ambient temperature $t_{a \text{ max}} = 50^{\circ}\text{C}$ (60 %)
 LED psu: 50,000 h
 LED module: 50,000 h

BEGA Thermal Control® protects temperature-sensitive luminaire components by temporarily limiting the nominal power at high temperatures.

Article No. 24 833

LED colour temperature optionally 3000 K or 4000 K
 3000 K – Article number + **K3**
 4000 K – Article number + **K4**

Colour optionally graphite or white
 Graphite – Article number
 White – Article number + **W**

Accessories

10 442 Installation housing

A separate instructions for use can be provided upon request.

Light distribution