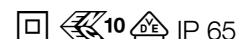


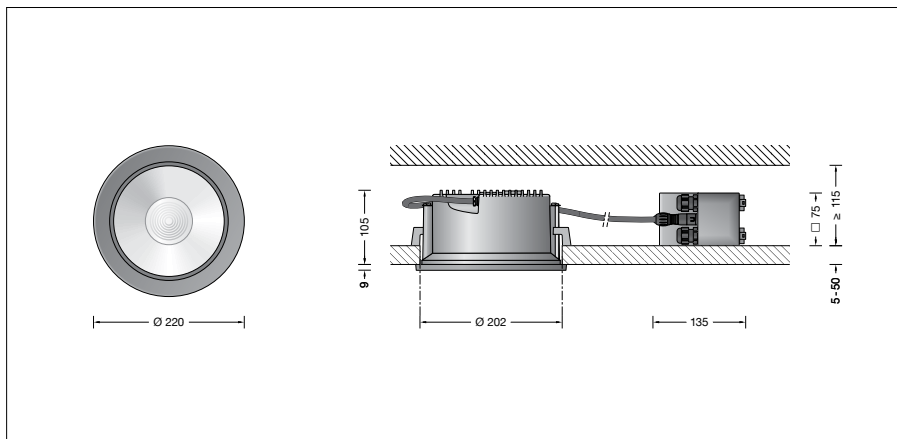
**BEGA****24 831**

Recessed ceiling luminaire




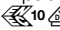
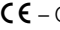
Project · Reference number

Date



## Product data sheet

**Product description**

Luminaire made of aluminium alloy, aluminium and stainless steel  
 End ring with safety glass – twist locking  
 Clear safety glass  
 Silicone gasket  
 Optical silicone lens  
 Reflector surface made of pure aluminium  
 Luminaire housing with 2 fixing claws and guide screws  
 Recessed opening  $\varnothing$  202 mm  
 Recessed depth required 115 mm  
 The external connection housing is made of glass fibre reinforced synthetic material (polyamide)  
 220-240 V  $\sim$  0/50-60 Hz  
 2 screw cable glands with strain relief for through-wiring power connecting cable  $\varnothing$  4–10 mm, max.  $5 \times 1.5^{\square}$   
 1 screw cable gland closed at the factory with a dummy plug  
 Connecting terminals  $2.5^{\square}$   
 0.5 m connection cable with plug between the luminaire and the power supply unit  
 LED power supply unit  
 220-240 V  $\sim$  0/50-60 Hz  
 DC 176-276 V  
 DALI controllable  
 A basic isolation exists between power cable and control line  
 Safety class II   
 Protection class IP 65  
 Dust-tight and protection against water jets  
 Impact strength IK08  
 Protection against mechanical impacts < 5 joule  
 – Safety mark  
 – Conformity mark  
 Weight: 1.8 kg

**Application**

LED recessed ceiling downlight with external DALI controllable power supply unit for installation into concrete ceilings or suspended ceilings both indoors and out.  
 With symmetrical wide beam light distribution.

**Lamp**

Module connected wattage	17.2 W
Luminaire connected wattage	19.4 W
Rated temperature	$t_a = 25^{\circ}\text{C}$
Ambient temperature	$t_{a \max} = 45^{\circ}\text{C}$
When installed in heat-insulating material	$t_{a \max} = 35^{\circ}\text{C}$

**24 831 K3**

Module designation	LED-0785/830
Colour temperature	3000 K
Colour rendering index	CRI > 80
Module luminous flux	3100 lm
Luminaire luminous flux	2454 lm
Luminaire luminous efficiency	126,5 lm/W

**24 831 K4**

Module designation	LED-0785/840
Colour temperature	4000 K
Colour rendering index	CRI > 80
Module luminous flux	3180 lm
Luminaire luminous flux	2517 lm
Luminaire luminous efficiency	129,7 lm/W

**Lighting technology**

Half beam angle  $56^{\circ}$   
 Luminaire data for the light planning program DIALux for outdoor lighting, street lighting and interior lighting as well as luminaire data in EULUMDAT and IES format are available on our website [www.bega.com](http://www.bega.com).

**Inrush current**

Inrush current: 12 A / 24.2  $\mu\text{s}$   
 Maximum number of luminaires of this type per miniature circuit breaker:  
 B 10A: 50 luminaires  
 B 16A: 50 luminaires  
 C 10A: 50 luminaires  
 C 16A: 50 luminaires

**Service life · Ambient temperature**

Rated temperature $t_a = 25^{\circ}\text{C}$	LED psu: > 50,000 h
LED module:	200,000 h (L.80 B50)
	100,000 h (L.80 B50)

Ambient temperature $t_{a \max} = 45^{\circ}\text{C}$ (100 %)	LED psu: 50,000 h
LED module:	150,000 h (L.80 B50)
	100,000 h (L.80 B50)

Ambient temperature $t_{a \max} = 50^{\circ}\text{C}$ (85 %)	LED psu: 50,000 h
LED module:	50,000 h

BEGA Thermal Control® protects temperature-sensitive luminaire components by temporarily limiting the nominal power at high temperatures.

**Article No. 24 831**

LED colour temperature optionally 3000 K or 4000 K  
 3000 K – Article number + **K3**  
 4000 K – Article number + **K4**

Colour optionally graphite or white  
 Graphite – Article number  
 White – Article number + **W**

**Accessories**

**10 443** Installation housing

A separate instructions for use can be provided upon request.

**Light distribution**