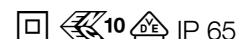


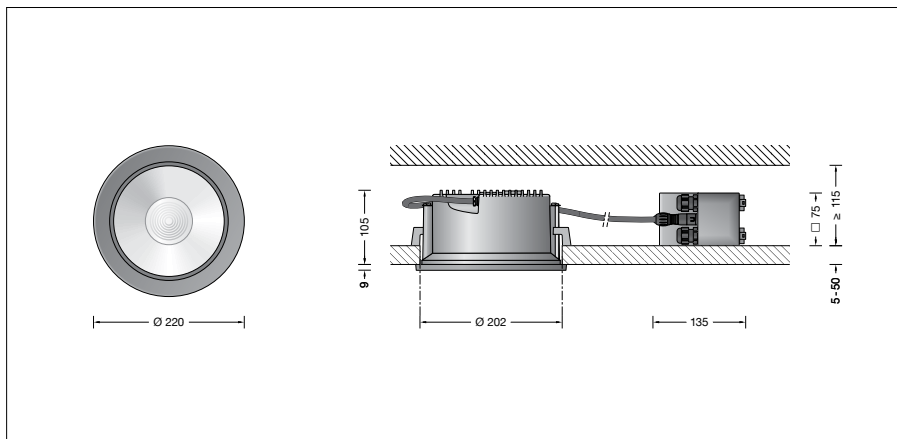
**BEGA****24 828**

Recessed ceiling luminaire



Project · Reference number

Date



## Product data sheet

### Product description

Luminaire made of aluminium alloy, aluminium and stainless steel  
 End ring with safety glass – twist locking  
 Clear safety glass  
 Silicone gasket  
 Optical silicone lens  
 Reflector surface made of pure aluminium  
 Luminaire housing with 2 fixing claws and guide screws  
 Recessed opening  $\varnothing$  202 mm  
 Recessed depth required 115 mm  
 The external connection housing is made of glass fibre reinforced synthetic material (polyamide).  
 2 screw cable glands with strain relief for through-wiring power connecting cable  $\varnothing$  4–10 mm, max.  $5 \times 1.5^{\square}$   
 1 screw cable gland closed at the factory with a dummy plug  
 Connecting terminals  $2.5^{\square}$   
 0.5 m connection cable with plug between the luminaire and the power supply unit  
 LED power supply unit  
 220–240 V  $\sim$  0/50–60 Hz  
 DC 176–264 V  
 During DC operation the LED power is reduced to 50 %  
 DALI controllable  
 A basic isolation exists between power cable and control line  
 Safety class II   
 Protection class IP 65  
 Dust-tight and protection against water jets  
 Ballproof according to DIN VDE 0710 part 13  
 Impact strength IK08  
 Protection against mechanical impacts < 5 joule  
 – Safety mark  
 – Conformity mark  
 Weight: 1.8 kg

### Application

LED recessed ceiling downlight with external DALI controllable power supply unit for installation into concrete ceilings or suspended ceilings both indoors and out.  
 With symmetrical wide beam light distribution.

### Lamp

Module connected wattage	35.7 W
Luminaire connected wattage	39.5 W
Rated temperature	$t_a = 25^{\circ}\text{C}$
Ambient temperature	$t_{a\text{max}} = 35^{\circ}\text{C}$

On request we can offer you modifications for environments with higher temperatures as a customized product.

### 24 828 K3

Module designation	LED-0785/830
Colour temperature	3000 K
Colour rendering index	CRI > 80
Module luminous flux	6010 lm
Luminaire luminous flux	4563 lm
Luminaire luminous efficiency	115,5 lm/W

### 24 828 K4

Module designation	LED-0785/840
Colour temperature	4000 K
Colour rendering index	CRI > 80
Module luminous flux	6165 lm
Luminaire luminous flux	4681 lm
Luminaire luminous efficiency	118,5 lm/W

### Service life · Ambient temperature

Rated temperature $t_a = 25^{\circ}\text{C}$	
LED psu:	> 50,000 h
LED module:	130,000 h (L 80 B 50) 100,000 h (L 80 B 50)

Ambient temperature $t_{a\text{max}} = 35^{\circ}\text{C}$ (100 %)	
LED psu:	50,000 h
LED module:	105,000 h (L 80 B 50) 100,000 h (L 80 B 50)

### Inrush current

Inrush current: 5 A / 100  $\mu\text{s}$   
 Maximum number of luminaires of this type per miniature circuit breaker:  
 B 10 A: 27 luminaires  
 B 16 A: 44 luminaires  
 C 10 A: 27 luminaires  
 C 16 A: 44 luminaires

### Lighting technology

Half beam angle  $28^{\circ}$   
 Luminaire data for the light planning program DIALux for outdoor lighting, street lighting and interior lighting as well as luminaire data in EULUMDAT and IES format are available on our website [www.bega.com](http://www.bega.com).

### Article No. 24 828

LED colour temperature optionally 3000 K or 4000 K  
 3000 K – Article number + **K3**  
 4000 K – Article number + **K4**  
 Colour optionally graphite or white  
 Graphite – Article number  
 White – Article number + **W**

### Accessories

**10 443** Installation housing

A separate instructions for use can be provided upon request.

### Light distribution

