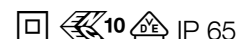


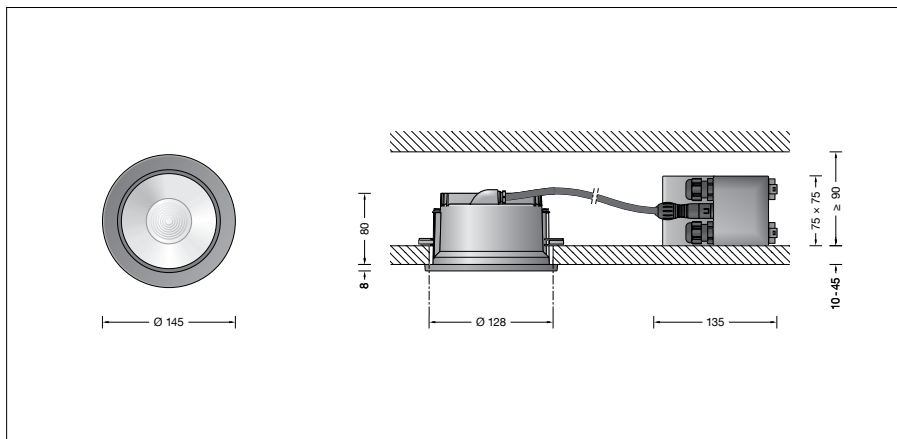
BEGA**24 826**

Recessed ceiling luminaire



Project · Reference number

Date



Product data sheet

Application

LED recessed ceiling downlight with external DALI controllable power supply unit for installation into concrete ceilings or suspended ceilings both indoors and out. With symmetrical wide beam light distribution.

Product description

Luminaire made of aluminium alloy, aluminium and stainless steel
End ring with safety glass and reflector – twist-locking
Clear safety glass
Silicone gasket
Optical silicone lens
Reflector surface made of pure aluminium
Luminaire housing with 2 fixing claws and guide screws
Recessed opening \varnothing 128 mm
Recessed depth required 90 mm
The external connection housing is made of glass fibre reinforced synthetic material (polyamide).
2 screw cable glands with strain relief for through-wiring power connecting cable \varnothing 4–10 mm, max. $5 \times 1.5^{\square}$
1 screw cable gland closed at the factory with a dummy plug
Connecting terminals 2.5^{\square}
0.5 m connection cable with plug between the luminaire and the power supply unit
LED power supply unit
220–240 V \sim 0/50–60 Hz
DC 176–280 V
DC Start \geq 190 V
DALI controllable
A basic isolation exists between power cable and control line
Safety class II
Protection class IP 65
Dust-tight and protection against water jets
Impact strength IK08
Protection against mechanical impacts < 5 joule
 – Safety mark
CE – Conformity mark
Weight: 1.1 kg

Lamp

Module connected wattage	16.8 W
Luminaire connected wattage	19.6 W
Rated temperature	$t_a = 25^{\circ}\text{C}$
Ambient temperature	$t_{a\text{max}} = 35^{\circ}\text{C}$
When installed in heat-insulating material	$t_{a\text{max}} = 25^{\circ}\text{C}$

On request we can offer you modifications for environments with higher temperatures as a customized product.

24 826 K3

Module designation	LED-0800/830
Colour temperature	3000 K
Colour rendering index	CRI $>$ 80
Module luminous flux	2850 lm
Luminaire luminous flux	2224 lm
Luminaire luminous efficiency	113,5 lm/W

24 826 K4

Module designation	LED-0800/840
Colour temperature	4000 K
Colour rendering index	CRI $>$ 80
Module luminous flux	2920 lm
Luminaire luminous flux	2313 lm
Luminaire luminous efficiency	118 lm/W

Service life · Ambient temperature

Rated temperature $t_a = 25^{\circ}\text{C}$	
LED psu:	$>$ 50,000h
LED module:	130,000h (L80B50)
	100,000h (L80B50)

Ambient temperature $t_{a\text{max}} = 35^{\circ}\text{C}$ (100 %)	
LED psu:	50,000h
LED module:	110,000h (L80B50)
	100,000h (L80B50)

Inrush current

Inrush current: 24 A / 115 μs
Maximum number of luminaires of this type per miniature circuit breaker:
B10A: 31 luminaires
B16A: 51 luminaires
C10A: 53 luminaires
C16A: 86 luminaires

Lighting technology

Half beam angle 35°
Luminaire data for the light planning program DIALux for outdoor lighting, street lighting and interior lighting as well as luminaire data in EULUMDAT and IES format are available on our website www.bega.com.

Article No. 24 826

LED colour temperature optionally 3000 K or 4000 K
3000 K – Article number + **K3**
4000 K – Article number + **K4**

Colour optionally graphite or white
Graphite – Article number
White – Article number + **W**

Accessories

10441 Installation housing

A separate instructions for use can be provided upon request.

Light distribution

