

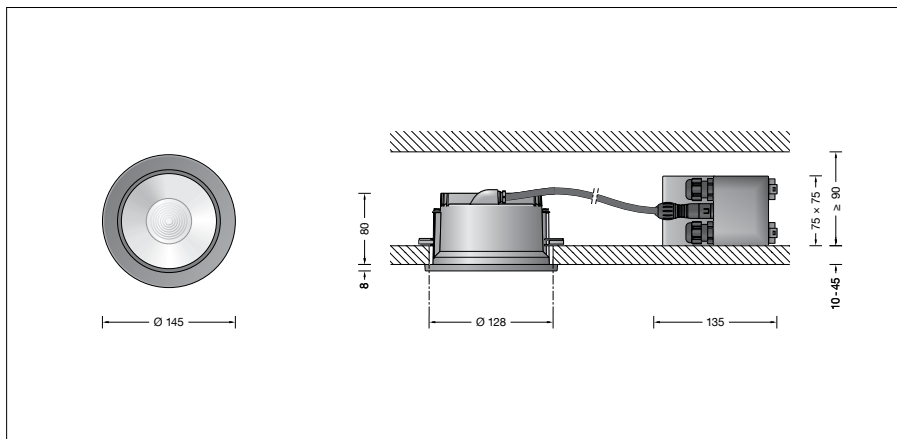
BEGA**24 823**

Recessed ceiling luminaire



Project · Reference number

Date



Product data sheet

Application

LED recessed ceiling downlight with external DALI controllable power supply unit for installation into concrete ceilings or suspended ceilings both indoors and out. With symmetrical wide beam light distribution.

Product description

Luminaire made of aluminium alloy, aluminium and stainless steel
End ring with safety glass and reflector – twist-locking
Clear safety glass
Silicone gasket
Optical silicone lens
Reflector surface made of pure aluminium
Luminaire housing with 2 fixing claws and guide screws
Recessed opening \varnothing 128 mm
Recessed depth required 90 mm
The external connection housing is made of glass fibre reinforced synthetic material (polyamide).
2 screw cable glands with strain relief for through-wiring power connecting cable \varnothing 4–10 mm, max. $5 \times 1.5^{\square}$
1 screw cable gland closed at the factory with a dummy plug
Connecting terminals 2.5^{\square}
0.5 m connection cable with plug between the luminaire and the power supply unit
LED power supply unit
220–240 V \sim 0/50–60 Hz
DC 170–280 V
DALI controllable
A basic isolation exists between power cable and control line
Safety class II
Protection class IP 65
Dust-tight and protection against water jets
Impact strength IK08
Protection against mechanical impacts < 5 joule
 – Safety mark
 – Conformity mark
Weight: 1.0 kg

Lamp

Module connected wattage 8.1 W
Luminaire connected wattage 9.5 W
Rated temperature $t_a = 25^{\circ}\text{C}$
Ambient temperature $t_{a\text{max}} = 45^{\circ}\text{C}$
When installed in heat-insulating material $t_{a\text{max}} = 45^{\circ}\text{C}$

On request we can offer you modifications for environments with higher temperatures as a customized product.

24 823 K3

Module designation LED-0800/830
Colour temperature 3000 K
Colour rendering index CRI > 80
Module luminous flux 1465 lm
Luminaire luminous flux 1151 lm
Luminaire luminous efficiency 121,2 lm/W

24 823 K4

Module designation LED-0800/840
Colour temperature 4000 K
Colour rendering index CRI > 80
Module luminous flux 1500 lm
Luminaire luminous flux 1178 lm
Luminaire luminous efficiency 124 lm/W

Service life · Ambient temperature

Rated temperature $t_a = 25^{\circ}\text{C}$
LED psu: > 50,000h
LED module: > 200,000h (L80B50)
100,000h (L80B50)

Ambient temperature $t_{a\text{max}} = 45^{\circ}\text{C}$ (100 %)

LED psu: 50,000h
LED module: 170,000h (L80B50)
100,000h (L80B50)

Inrush current

Inrush current: 5 A / 50 μs
Maximum number of luminaires of this type per miniature circuit breaker:
B10A: 31 luminaires
B16A: 50 luminaires
C10A: 52 luminaires
C16A: 85 luminaires

Lighting technology

Half beam angle 35°
Luminaire data for the light planning program DIALux for outdoor lighting, street lighting and interior lighting as well as luminaire data in EULUMDAT and IES format are available on our website www.bega.com.

Article No. 24 823

LED colour temperature optionally 3000 K or 4000 K
3000 K – Article number + **K3**
4000 K – Article number + **K4**

Colour optionally graphite or white
Graphite – Article number
White – Article number + **W**

Accessories

10 441 Installation housing

A separate instructions for use can be provided upon request.

Light distribution