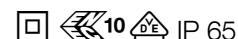


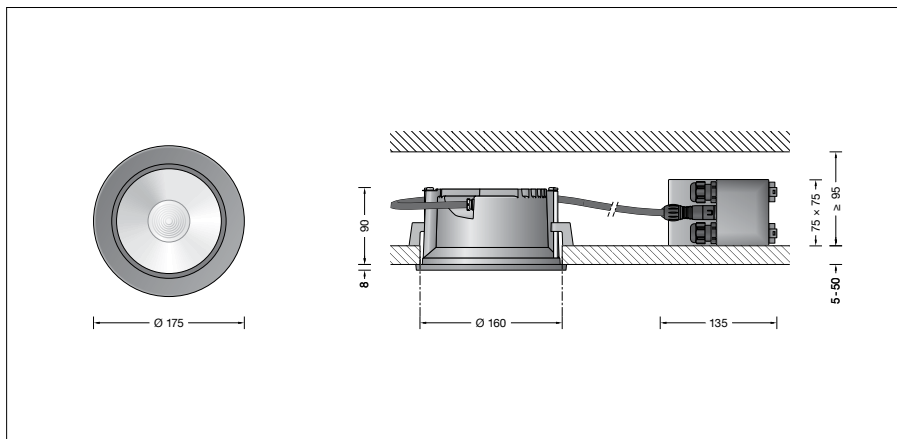
**BEGA****24 821**

Recessed ceiling luminaire



Project · Reference number

Date



## Product data sheet

**Product description**

Luminaire made of aluminium alloy, aluminium and stainless steel  
 End ring with safety glass – twist locking  
 Clear safety glass  
 Silicone gasket  
 Optical silicone lens  
 Reflector surface made of pure aluminium  
 Luminaire housing with 2 fixing claws and guide screws  
 Recessed opening  $\varnothing 160$  mm  
 Recessed depth required 95 mm  
 The external connection housing is made of glass fibre reinforced synthetic material (polyamide).  
 2 screw cable glands with strain relief for through-wiring power connecting cable  $\varnothing 4-10$  mm, max.  $5 \times 1.5^{\square}$   
 1 screw cable gland closed at the factory with a dummy plug  
 Connecting terminals  $2.5^{\square}$   
 0.5 m connection cable between the luminaire and the power supply unit  
 LED power supply unit  
 220-240 V  $\sim$  0/50-60 Hz  
 DC 176-264 V  
 During DC operation the LED power is reduced to 50 %  
 DALI controllable  
 A basic isolation exists between power cable and control line  
 Safety class II   
 Protection class IP 65  
 Dust-tight and protection against water jets  
 Ballproof according to DIN VDE 0710 part 13  
 Impact strength IK08  
 Protection against mechanical impacts < 5 joule  
 – Safety mark  
 – Conformity mark  
 Weight: 1.4 kg

**Application**

LED recessed ceiling downlight with external DALI controllable power supply unit for installation into concrete ceilings or suspended ceilings both indoors and out.  
 With symmetrical narrow beam light distribution.

**Lamp**

Module connected wattage 24.1 W  
 Luminaire connected wattage 28 W  
 Rated temperature  $t_a = 25^{\circ}\text{C}$   
 Ambient temperature  $t_{a \max} = 35^{\circ}\text{C}$

**24 821 K3**

Module designation LED-0800/830  
 Colour temperature 3000 K  
 Colour rendering index CRI > 80  
 Module luminous flux 3910 lm  
 Luminaire luminous flux 2854 lm  
 Luminaire luminous efficiency 101,9 lm/W

**24 821 K4**

Module designation LED-0800/840  
 Colour temperature 4000 K  
 Colour rendering index CRI > 80  
 Module luminous flux 4010 lm  
 Luminaire luminous flux 2927 lm  
 Luminaire luminous efficiency 104,5 lm/W

**Lighting technology**

Half beam angle  $14^{\circ}$   
 Luminaire data for the light planning program DIALux for outdoor lighting, street lighting and interior lighting as well as luminaire data in EULUMDAT and IES format are available on our website [www.bega.com](http://www.bega.com).

**Inrush current**

Inrush current: 5 A / 100  $\mu\text{s}$   
 Maximum number of luminaires of this type per miniature circuit breaker:  
 B 10A: 27 luminaires  
 B 16A: 44 luminaires  
 C 10A: 27 luminaires  
 C 16A: 44 luminaires

**Service life · Ambient temperature**

Rated temperature  $t_a = 25^{\circ}\text{C}$   
 LED psu: > 50,000 h  
 LED module: 110,000 h (L80B50)  
 100,000 h (L90B50)

Ambient temperature  $t_a = 35^{\circ}\text{C}$  (100 %)  
 LED psu: 50,000 h  
 LED module: 90,000 h (L80B50)  
 100,000 h (L70B50)

Ambient temperature  $t_a = 50^{\circ}\text{C}$  (60 %)  
 LED psu: 50,000 h  
 LED module: 50,000 h

BEGA Thermal Control® protects temperature-sensitive luminaire components by temporarily limiting the nominal power at high temperatures.

**Article No. 24 821**

LED colour temperature optionally 3000 K or 4000 K  
 3000 K – Article number + **K3**  
 4000 K – Article number + **K4**

Colour optionally graphite or white  
 Graphite – Article number  
 White – Article number + **W**

**Accessories**

**10 442** Installation housing

A separate instructions for use can be provided upon request.

**Light distribution**