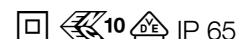


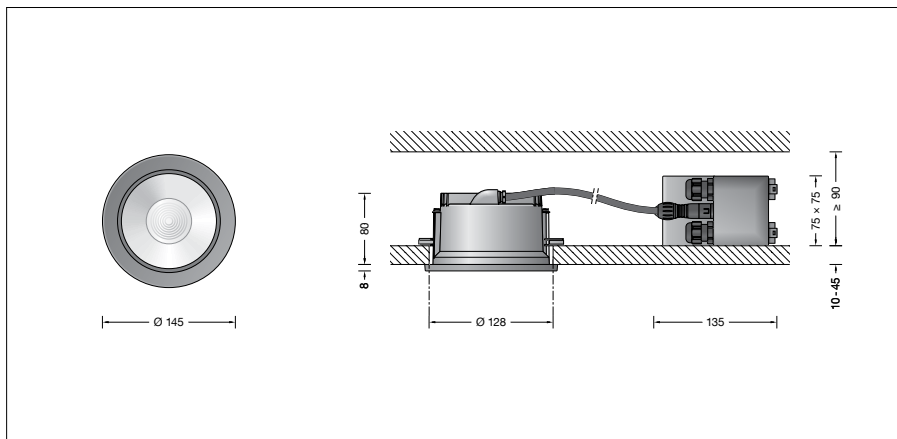
**BEGA****24 820**

Recessed ceiling luminaire



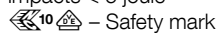
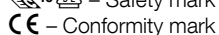
Project · Reference number

Date



## Product data sheet

**Product description**

Luminaire made of aluminium alloy, aluminium and stainless steel  
 End ring with safety glass and reflector – twist-locking  
 Clear safety glass  
 Silicone gasket  
 Optical silicone lens  
 Reflector surface made of pure aluminium  
 Luminaire housing with 2 fixing claws and guide screws  
 Recessed opening  $\varnothing$  128 mm  
 Recessed depth required 90 mm  
 The external connection housing is made of glass fibre reinforced synthetic material (polyamide).  
 2 screw cable glands with strain relief for through-wiring power connecting cable  $\varnothing$  4–10 mm, max.  $5 \times 1.5^{\square}$   
 1 screw cable gland closed at the factory with a dummy plug  
 Connecting terminals  $2.5^{\square}$   
 0.5 m connection cable with plug between the luminaire and the power supply unit  
 LED power supply unit  
 220-240 V  $\sim$  0/50-60 Hz  
 DC 176-280 V  
 DC Start  $\geq$  190 V  
 DALI controllable  
 A basic isolation exists between power cable and control line  
 Safety class II  $\square$   
 Protection class IP 65  
 Dust-tight and protection against water jets  
 Impact strength IK08  
 Protection against mechanical impacts < 5 joule  
 – Safety mark  
 – Conformity mark  
 Weight: 1.0 kg

**Application**

LED recessed ceiling downlight with external DALI controllable power supply unit for installation into concrete ceilings or suspended ceilings both indoors and out.  
 With symmetrical narrow beam light distribution.

**Lamp**

Module connected wattage 16.8 W  
 Luminaire connected wattage 19.6 W  
 Rated temperature  $t_a = 25^{\circ}\text{C}$   
 Ambient temperature  $t_{a \max} = 35^{\circ}\text{C}$   
 When installed in heat-insulating material  $t_{a \max} = 25^{\circ}\text{C}$

On request we can offer you modifications for environments with higher temperatures as a customized product.

**24 820 K3**

Module designation LED-0800/830  
 Colour temperature 3000 K  
 Colour rendering index CRI > 80  
 Module luminous flux 2850 lm  
 Luminaire luminous flux 2258 lm  
 Luminaire luminous efficiency 115,2 lm/W

**24 820 K4**

Module designation LED-0800/840  
 Colour temperature 4000 K  
 Colour rendering index CRI > 80  
 Module luminous flux 2920 lm  
 Luminaire luminous flux 2313 lm  
 Luminaire luminous efficiency 118 lm/W

**Lighting technology**

Half beam angle  $20^{\circ}$   
 Luminaire data for the light planning program DIALux for outdoor lighting, street lighting and interior lighting as well as luminaire data in EULUMDAT and IES format are available on our website [www.bega.com](http://www.bega.com).

**Inrush current**

Inrush current: 24 A / 115  $\mu\text{s}$   
 Maximum number of luminaires of this type per miniature circuit breaker:  
 B 10A: 31 luminaires  
 B 16A: 51 luminaires  
 C 10A: 53 luminaires  
 C 16A: 86 luminaires

**Service life · Ambient temperature**

Rated temperature  $t_a = 25^{\circ}\text{C}$   
 LED psu: > 50,000 h  
 LED module: 130,000 h (L.80B50)  
 100,000 h (L.80B50)  
 Ambient temperature  $t_{a \max} = 35^{\circ}\text{C}$  (100 %)  
 LED psu: 50,000 h  
 LED module: 110,000 h (L.80B50)  
 100,000 h (L.80B50)

**Article No. 24 820**

LED colour temperature optionally 3000K or 4000K  
 3000 K – Article number + **K3**  
 4000 K – Article number + **K4**  
 Colour optionally graphite or white  
 Graphite – Article number  
 White – Article number + **W**

**Accessories**

**10 441** Installation housing

A separate instructions for use can be provided upon request.

**Light distribution**