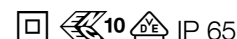


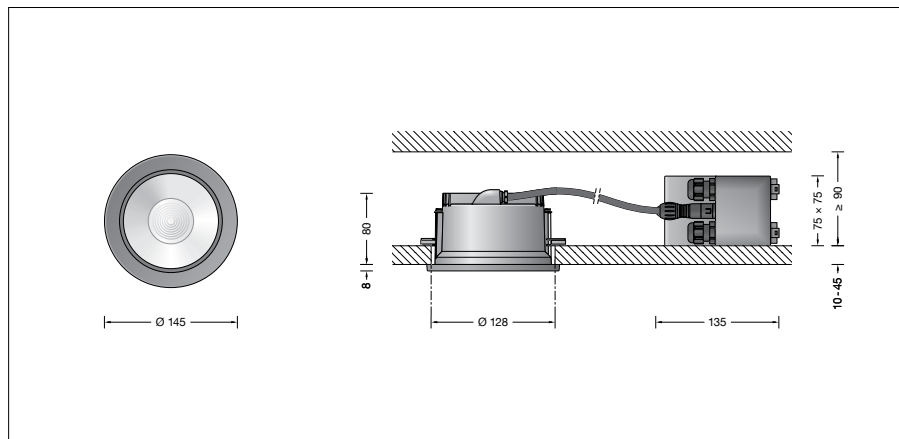
BEGA**24 817**

Recessed ceiling luminaire



Project · Reference number

Date



Product data sheet

Product description

Luminaire made of aluminium alloy, aluminium and stainless steel
 End ring with safety glass and reflector – twist-locking
 Clear safety glass
 Silicone gasket
 Optical silicone lens
 Reflector surface made of pure aluminium
 Luminaire housing with 2 fixing claws and guide screws
 Recessed opening $\varnothing 128$ mm
 Recessed depth required 90 mm
 The external connection housing is made of glass fibre reinforced synthetic material (polyamide).
 2 screw cable glands with strain relief for through-wiring power connecting cable $\varnothing 4$ – 10 mm, max. 5×1.5 \square
 1 screw cable gland closed at the factory with a dummy plug
 Connecting terminals 2.5 \square
 0.5 m connection cable with plug between the luminaire and the power supply unit
 LED power supply unit
 220-240 V \sim 0/50-60 Hz
 DC 170-280 V
 DALI controllable
 A basic isolation exists between power cable and control line
 Safety class II \square
 Protection class IP 65
 Dust-tight and protection against water jets
 Impact strength IK08
 Protection against mechanical impacts < 5 joule
 – Safety mark
 – Conformity mark
 Weight: 1.0 kg

Application

LED recessed ceiling downlight with external DALI controllable power supply unit for installation into concrete ceilings or suspended ceilings both indoors and out.
 With symmetrical narrow beam light distribution.

Lamp

Module connected wattage	8.1 W
Luminaire connected wattage	9.5 W
Rated temperature	$t_a = 25$ °C
Ambient temperature	$t_{a \max} = 45$ °C
When installed in heat-insulating material	$t_{a \max} = 45$ °C

On request we can offer you modifications for environments with higher temperatures as a customized product.

24 817 K3

Module designation	LED-0800/830
Colour temperature	3000 K
Colour rendering index	CRI > 80
Module luminous flux	1465 lm
Luminaire luminous flux	1163 lm
Luminaire luminous efficiency	122,4 lm/W

24 817 K4

Module designation	LED-0800/840
Colour temperature	4000 K
Colour rendering index	CRI > 80
Module luminous flux	1500 lm
Luminaire luminous flux	1191 lm
Luminaire luminous efficiency	125,4 lm/W

Lighting technology

Half beam angle 20°
 Luminaire data for the light planning program DIALux for outdoor lighting, street lighting and interior lighting as well as luminaire data in EULUMDAT and IES format are available on our website www.bega.com.

Inrush current

Inrush current: 5 A / 50 μ s
 Maximum number of luminaires of this type per miniature circuit breaker:
 B 10A: 31 luminaires
 B 16A: 50 luminaires
 C 10A: 52 luminaires
 C 16A: 85 luminaires

Service life · Ambient temperature

Rated temperature $t_a = 25$ °C	LED psu: > 50,000 h
LED module: > 200,000 h (L.80B50)	LED module: > 100,000 h (L.80B50)
Ambient temperature $t_{a \max} = 45$ °C (100 %)	LED psu: 50,000 h
LED module: 100,000 h (L.80B50)	LED module: 100,000 h (L.80B50)

Article No. 24 817

LED colour temperature optionally 3000K or 4000K
 3000 K – Article number + **K3**
 4000 K – Article number + **K4**
 Colour optionally graphite or white
 Graphite – Article number
 White – Article number + **W**

Accessories

10 441 Installation housing

A separate instructions for use can be provided upon request.

Light distribution