

**BEGA****24 507**

Pendant luminaire

IP 65

Project · Reference number

Date

## Product data sheet

### Application

LED pendant with shielded light for mounting in arcades, galleries and passageways. An integral reflector unit directs the light downwards in a rotationally symmetrical wide beam.

When installed in exterior applications, the luminaire must be protected from constant pendulum movement due to wind.

### Product description

Luminaire made of aluminium alloy, aluminium and stainless steel  
 Safety glass with optical structure  
 Reflector made of pure anodised aluminium  
 4 drilled holes with thread M4 to which tension cables preventing pendulum movement can be fixed  
 Mounting plate with 2 fixing holes  $\varnothing$  5.5 mm · 70 mm spacing  
 2 cable entries for through-wiring of mains supply cable  $\varnothing$  7-10.5 mm, max. 5 G 1.5<sup>□</sup>  
 Cable pendant H05RN-F 5 G 1<sup>□</sup> with 2 steel cords · Colour black  
 Connecting terminal 2.5<sup>□</sup> with plug connection  
 Earth conductor connection  
 LED power supply unit  
 220-240 V  $\sim$  0/50-60 Hz  
 DC 176-264 V  
 During DC operation the LED power is reduced to 50 %  
 DALI controllable  
 A basic isolation exists between power cable and control line  
 Safety class I  
 Protection class IP 65  
 Dust-tight and protection against water jets  
 Impact strength IK06  
 Protection against mechanical impacts < 1 joule  
 CE – Conformity mark  
 Weight: 5.6 kg

### Lamp

Module connected wattage	35.3 W
Luminaire connected wattage	39.6 W
Rated temperature	$t_a = 25$ °C
Ambient temperature	$t_{a \max} = 30$ °C

On request we can offer you modifications for environments with higher temperatures as a customized product.

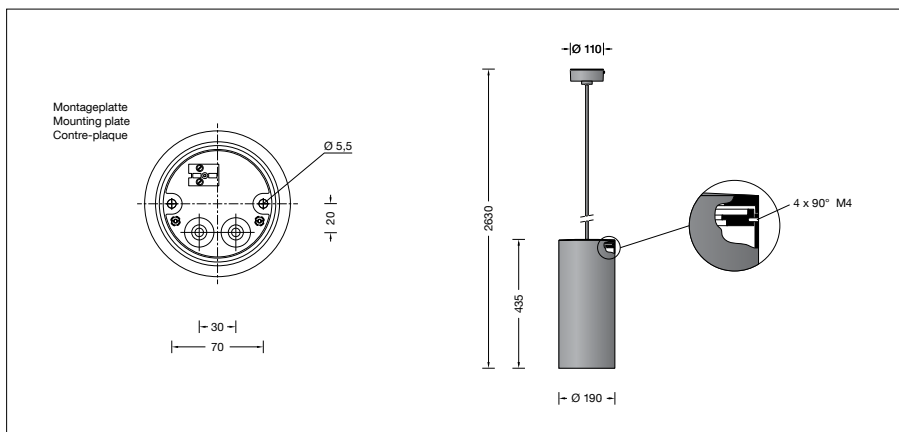
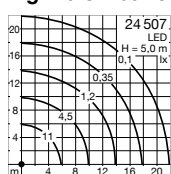
### 24 507 K3

Module designation	LED-0770/830
Colour temperature	3000 K
Colour rendering index	CRI > 80
Module luminous flux	6675 lm
Luminaire luminous flux	4294 lm
Luminaire luminous efficiency	108,4 lm/W

### 24 507 K4

Module designation	LED-0770/840
Colour temperature	4000 K
Colour rendering index	CRI > 80
Module luminous flux	6865 lm
Luminaire luminous flux	4416 lm
Luminaire luminous efficiency	111,5 lm/W

### Light distribution



### Service life · Ambient temperature

Rated temperature  $t_a = 25$  °C  
 LED psu: > 50,000h  
 LED module: > 200,000h (L80 B50)  
 100,000h (L90 B50)

Ambient temperature  $t_{a \max} = 30$  °C (100 %)  
 LED psu: 50,000h  
 LED module: > 200,000h (L80 B50)  
 100,000h (L90 B50)

### Light technique

Luminaire data for the light planning program DIALux for outdoor lighting, street lighting and indoor lighting as well as luminaire data in EULUMDAT- and IES-format you will find on the BEGA web page [www.bega.com](http://www.bega.com).

### Inrush current

Inrush current: 5 A / 100  $\mu$ s  
 Maximum number of luminaires of this type per miniature circuit breaker:  
 B 10A: 27 luminaires  
 B 16A: 44 luminaires  
 C 10A: 27 luminaires  
 C 16A: 44 luminaires

### Article No. 24 507

LED colour temperature optionally 3000 K or 4000 K  
 3000 K – Article number + **K3**  
 4000 K – Article number + **K4**