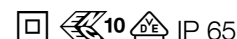


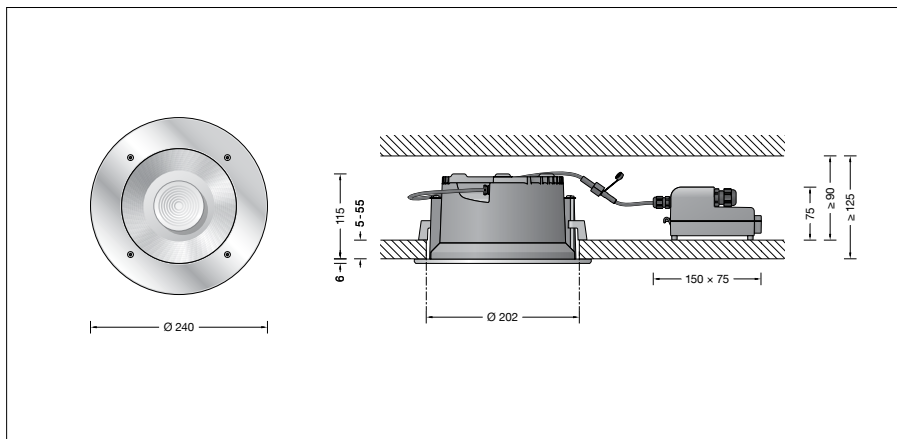
BEGA**24 297**

Recessed ceiling downlight




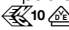
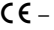
Project · Reference number

Date



Product data sheet

Product description

Luminaire made of aluminium alloy, aluminium and stainless steel
 Cover ring stainless steel
 Clear safety glass
 Optical silicone lens · BEGA Hybrid Optics®
 Reflector surface made of pure aluminium
 Luminaire housing with 2 fixing claws and guide screws
 Recessed opening \varnothing 202 mm
 Recessed depth required 125 mm
 The external connection housing is made of glass fibre reinforced synthetic material (polyamide)
 220-240 V \sim 0/50-60 Hz
 2 screw cable glands with strain relief for through-wiring power connecting cable \varnothing 4-10 mm, max. 5 x 1.5[□]
 Connecting terminals 2.5[□]
 0,7 m connection cable with plug between the luminaire and the power supply unit
 BEGA Thermal Control®
 Temporary thermal regulation to protect temperature-sensitive components without switching off the luminaire
 Safety class II 
 Protection class IP 65
 Dust-tight and protection against water jets
 Impact strength IK09
 Protection against mechanical impacts < 10 joule
 – Safety mark
 – Conformity mark
 Weight: 2.3 kg

Application

LED recessed ceiling downlight with external DALI controllable power supply unit for installation into concrete ceilings or suspended ceilings both indoors and out.
 With symmetrical wide beam light distribution.

Lamp

Module connected wattage 35.7 W
 Luminaire connected wattage 39.2 W
 Rated temperature $t_a = 25^\circ\text{C}$
 Ambient temperature $t_{a\text{max}} = 35^\circ\text{C}$

24 297 K3

Module designation LED-0785/830
 Colour temperature 3000 K
 Colour rendering index CRI > 80
 Module luminous flux 6010 lm
 Luminaire luminous flux 4117 lm
 Luminaire luminous efficiency 105 lm/W

24 297 K4

Module designation LED-0785/840
 Colour temperature 4000 K
 Colour rendering index CRI > 80
 Module luminous flux 6165 lm
 Luminaire luminous flux 4223 lm
 Luminaire luminous efficiency 107,7 lm/W

Service life · Ambient temperature

Rated temperature $t_a = 25^\circ\text{C}$
 LED psu: > 50,000 h
 LED module: 120,000 h (L80 B50)

Ambient temperature $t_{a\text{max}} = 35^\circ\text{C}$ (100 %)
 LED psu: 50,000 h
 LED module: 95,000 h (L80 B50)
 100,000 h (L70 B50)

Ambient temperature $t_{a\text{max}} = 50^\circ\text{C}$ (50 %)
 LED psu: 50,000 h
 LED module: 50,000 h

BEGA Thermal Control® protects temperature-sensitive luminaire components by temporarily limiting the nominal power at high temperatures.

Inrush current

Inrush current: 5 A / 100 μs
 Maximum number of luminaires of this type per miniature circuit breaker:
 B 10A: 27 luminaires
 B 16A: 44 luminaires
 C 10A: 27 luminaires
 C 16A: 44 luminaires

Lighting technology

Half beam angle 56°
 Luminaire data for the light planning program DIALux for outdoor lighting, street lighting and interior lighting as well as luminaire data in EULUMDAT and IES format are available on our website www.bega.com.

Article No. 24 297

LED colour temperature optionally 3000 K or 4000 K
 3000 K – Article number + **K3**
 4000 K – Article number + **K4**

Accessories

10443 Installation housing

A separate instructions for use can be provided upon request.

Light distribution