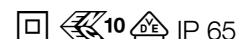


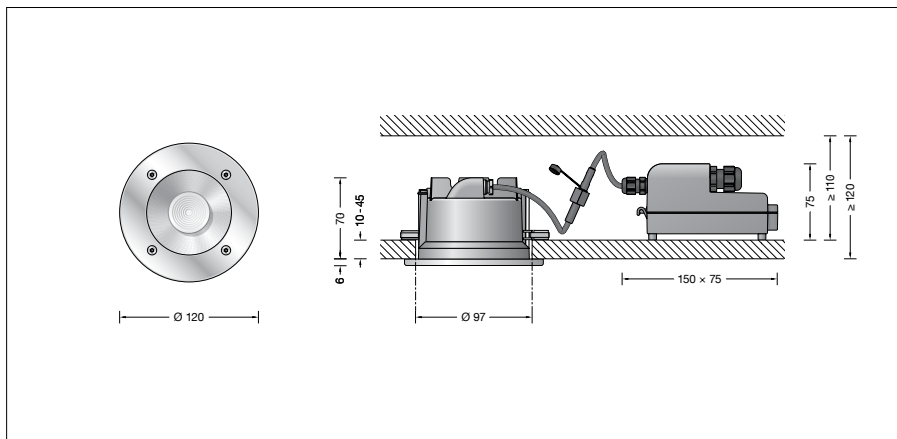
**BEGA****24 291**

Recessed ceiling downlight



Project · Reference number

Date



## Product data sheet

**Product description**

Luminaire made of aluminium alloy, aluminium and stainless steel  
 Cover ring stainless steel  
 Clear safety glass  
 Optical silicone lens · BEGA Hybrid Optics®  
 Reflector surface made of pure aluminium  
 Luminaire housing with 2 fixing claws and guide screws  
 Recessed opening  $\varnothing 97$  mm  
 Recessed depth required 90 mm  
 The external connection housing is made of glass fibre reinforced synthetic material (polyamide)  
 220-240 V  $\sim$  0/50-60 Hz  
 2 screw cable glands with strain relief for through-wiring power connecting cable  $\varnothing 4-10$  mm, max.  $5 \times 1.5^{\square}$   
 Connecting terminals  $2.5^{\square}$   
 0,7 m connection cable with plug between the luminaire and the power supply unit  
 BEGA Thermal Control®  
 Temporary thermal regulation to protect temperature-sensitive components without switching off the luminaire  
 Safety class II   
 Protection class IP 65  
 Dust-tight and protection against water jets  
 Impact strength IK06  
 Protection against mechanical impacts < 1 joule  
 – Safety mark  
 – Conformity mark  
 Weight: 0.8 kg

**Application**

LED recessed ceiling downlight with external DALI controllable power supply unit for installation into concrete ceilings or suspended ceilings both indoors and out.  
 With symmetrical wide beam light distribution.

**Lamp**

Module connected wattage	12.3 W
Luminaire connected wattage	14 W
Rated temperature	$t_a = 25^{\circ}\text{C}$
Ambient temperature	$t_{a \max} = 35^{\circ}\text{C}$
When installed in heat-insulating material	$t_{a \max} = 25^{\circ}\text{C}$

On request we can offer you modifications for environments with higher temperatures as a customized product.

**24 291 K3**

Module designation	LED-0986/830
Colour temperature	3000 K
Colour rendering index	CRI > 80
Module luminous flux	1915 lm
Luminaire luminous flux	1356 lm
Luminaire luminous efficiency	96,9 lm/W

**24 291 K4**

Module designation	LED-0986/840
Colour temperature	4000 K
Colour rendering index	CRI > 80
Module luminous flux	1965 lm
Luminaire luminous flux	1391 lm
Luminaire luminous efficiency	99,4 lm/W

**Service life · Ambient temperature**

Rated temperature $t_a = 25^{\circ}\text{C}$	
LED psu:	> 50,000h
LED module:	115,000h (L80B50)

Ambient temperature $t_{a \max} = 35^{\circ}\text{C}$ (100 %)	
LED psu:	50,000h
LED module:	90,000h (L80B50) 100,000h (L70B50)

**Inrush current**

Inrush current: 12 A / 24.2  $\mu\text{s}$   
 Maximum number of luminaires of this type per miniature circuit breaker:  
 B 10A: 50 luminaires  
 B 16A: 50 luminaires  
 C 10A: 50 luminaires  
 C 16A: 50 luminaires

**Lighting technology**

Half beam angle  $58^{\circ}$   
 Luminaire data for the light planning program DIALux for outdoor lighting, street lighting and interior lighting as well as luminaire data in EULUMDAT and IES format are available on our website [www.bega.com](http://www.bega.com).

**Article No. 24 291**

LED colour temperature optionally 3000K or 4000K  
 3000 K – Article number + **K3**  
 4000 K – Article number + **K4**

**Accessories**

**10 440** Installation housing

A separate instructions for use can be provided upon request.

**Light distribution**