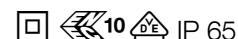


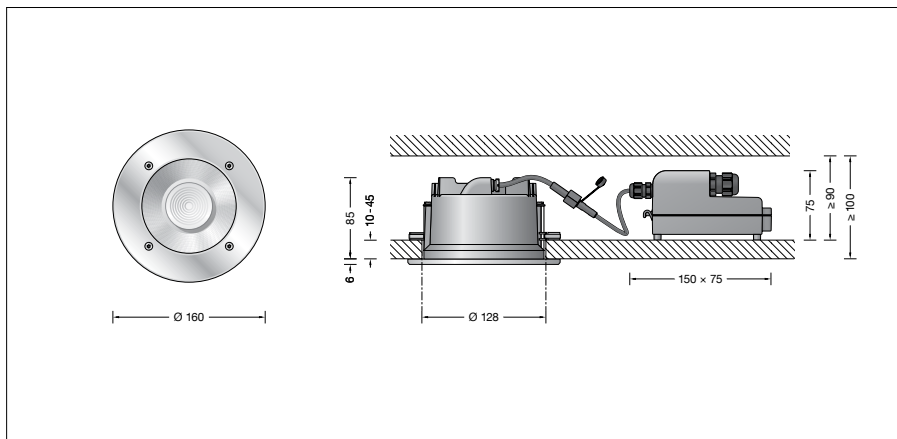
BEGA**24 284**

Recessed ceiling downlight



Project · Reference number

Date



Product data sheet

Product description

Luminaire made of aluminium alloy, aluminium and stainless steel
 Cover ring stainless steel
 Clear safety glass
 Optical silicone lens · BEGA Hybrid Optics®
 Reflector surface made of pure aluminium
 Luminaire housing with 2 fixing claws and guide screws
 Recessed opening \varnothing 128 mm
 Recessed depth required 100 mm
 The external connection housing is made of glass fibre reinforced synthetic material (polyamide)
 220-240 V \sim 0/50-60 Hz
 2 screw cable glands with strain relief for through-wiring power connecting cable \varnothing 4–10 mm, max. 5 x 1.5[□]
 Connecting terminals 2.5[□]
 0,7 m connection cable with plug between the luminaire and the power supply unit
 Safety class II
 Protection class IP 65
 Dust-tight and protection against water jets
 Impact strength IK07
 Protection against mechanical impacts < 2 joule
 – Safety mark
 – Conformity mark
 Weight: 1.1 kg

Application

LED recessed ceiling downlight with external DALI controllable power supply unit for installation into concrete ceilings or suspended ceilings both indoors and out.
 With symmetrical wide beam light distribution.

Lamp

Module connected wattage 8.1 W
 Luminaire connected wattage 10 W
 Rated temperature $t_a = 25\text{ }^\circ\text{C}$
 Ambient temperature $t_{a\text{ max}} = 45\text{ }^\circ\text{C}$
 When installed in heat-insulating material $t_{a\text{ max}} = 35\text{ }^\circ\text{C}$

On request we can offer you modifications for environments with higher temperatures as a customized product.

24 284 K3

Module designation LED-0800/830
 Colour temperature 3000 K
 Colour rendering index CRI > 80
 Module luminous flux 1465 lm
 Luminaire luminous flux 1160 lm
 Luminaire luminous efficiency 116 lm/W

24 284 K4

Module designation LED-0800/840
 Colour temperature 4000 K
 Colour rendering index CRI > 80
 Module luminous flux 1500 lm
 Luminaire luminous flux 1188 lm
 Luminaire luminous efficiency 118,8 lm/W

Service life · Ambient temperature

Rated temperature $t_a = 25\text{ }^\circ\text{C}$
 LED psu: > 50,000h
 LED module: > 200,000h (L80B50)

Ambient temperature $t_{a\text{ max}} = 45\text{ }^\circ\text{C}$ (100 %)
 LED psu: 50,000h
 LED module: 160,000h (L80B50)

Inrush current

Inrush current: 5 A / 50 μs
 Maximum number of luminaires of this type per miniature circuit breaker:
 B 10A: 31 luminaires
 B 16A: 50 luminaires
 C 10A: 52 luminaires
 C 16A: 85 luminaires

Lighting technology

Half beam angle 30°
 Luminaire data for the light planning program DIALux for outdoor lighting, street lighting and interior lighting as well as luminaire data in EULUMDAT and IES format are available on our website www.bega.com.

Article No. 24 284

LED colour temperature optionally 3000K or 4000K
 3000 K – Article number + **K3**
 4000 K – Article number + **K4**

Accessories

10441 Installation housing

A separate instructions for use can be provided upon request.

Light distribution