

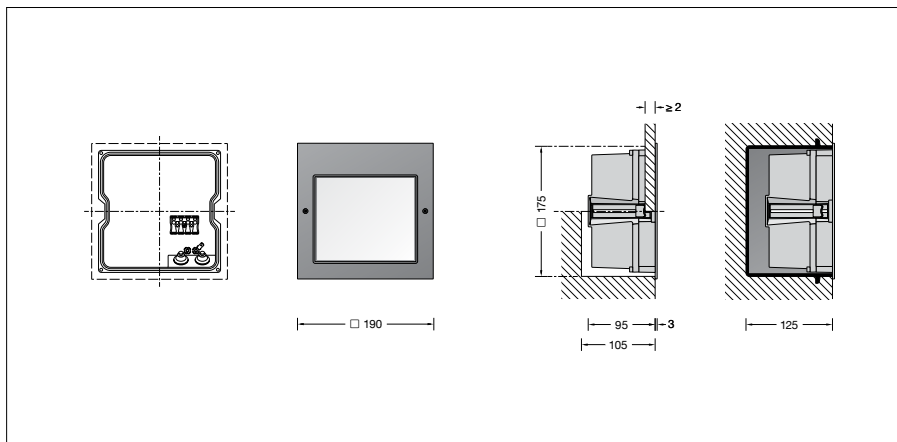
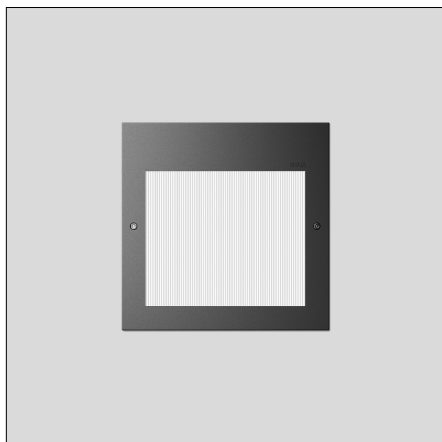
BEGA**24 207**

Recessed wall luminaire



Project · Reference number

Date



Product data sheet

Application

LED recessed wall luminaire with asymmetrical flat beam light distribution, for flush or surface mounting installation.

For the wide beam and uniform illumination of surfaces and paths.

Product description

Luminaire made of aluminium alloy, aluminium and stainless steel
 Safety glass with optical structure
 Required recessed opening 175 x 175 mm
 Recessed depth 105 mm
 Fixing is achieved by using two adjustable wedge-shaped claws
 2 cable entries for through-wiring of mains supply cable \varnothing 7-10.5 mm, max. 5 G 1.5[□]
 Connecting terminal and earth conductor terminal 2.5[□]
 LED power supply unit
 220-240 V \sim 0/50-60 Hz
 DC 176-280 V
 DALI controllable
 A basic isolation exists between power cable and control line
 Safety class I
 Protection class IP 65
 Dust-tight and protection against water jets
 Impact strength IK06
 Protection against mechanical impacts < 1 joule
 – Safety mark
 – Conformity mark
 Weight: 1.5 kg

Lamp

Module connected wattage	4.8 W
Luminaire connected wattage	6.9 W
Rated temperature	$t_a = 25\text{ }^\circ\text{C}$
Ambient temperature	$t_{a\text{ max}} = 35\text{ }^\circ\text{C}$
When installed in heat-insulating material	$t_{a\text{ max}} = 30\text{ }^\circ\text{C}$

On request we can offer you modifications for environments with higher temperatures as a customized product.

24 207 K3

Module designation	LED-0757/830
Colour temperature	3000 K
Colour rendering index	CRI > 80
Module luminous flux	940 lm
Luminaire luminous flux	713 lm
Luminaire luminous efficiency	103,3 lm/W

24 207 K4

Module designation	LED-0757/840
Colour temperature	4000 K
Colour rendering index	CRI > 80
Module luminous flux	965 lm
Luminaire luminous flux	739 lm
Luminaire luminous efficiency	107,1 lm/W

Service life · Ambient temperature

Rated temperature $t_a = 25\text{ }^\circ\text{C}$	
LED psu:	> 50,000h
LED module:	> 200,000h (L80B50) 100,000h (L90B50)

Ambient temperature $t_{a\text{ max}} = 35\text{ }^\circ\text{C}$ (100 %)	
LED psu:	50,000h
LED module:	> 200,000h (L80B50) 100,000h (L90B50)

Inrush current

Inrush current: 5 A / 50 μ s
 Maximum number of luminaires of this type per miniature circuit breaker:
 B 10A: 31 luminaires
 B 16A: 50 luminaires
 C 10A: 52 luminaires
 C 16A: 85 luminaires

Light technique

Luminaire data for the light planning program DIALux for outdoor lighting, street lighting and indoor lighting as well as luminaire data in EULUMDAT- and IES-format you will find on the BEGA web page www.bega.com.

Article No. 24 207

LED colour temperature optionally 3000 K or 4000 K
 3000 K – Article number + **K3**
 4000 K – Article number + **K4**

Colour graphite or silver
 graphite – article number
 silver – article number + **A**

Accessories

10 489 Installation housing
13 541 Installation housing for installation in insulated façades (EWIS)

10 089 Plaster frame
10 073 Plaster frame flush

See the separate instructions for use.

Light distribution

