

**BEGA****24 131**

Pendant luminaire

IP 64

Project · Reference number

Date

## Product data sheet

**Application**

Pendant luminaire for illuminating passages or high rooms.

For interior and exterior lighting applications.

For installation on cantilever plates or on support structures in exterior areas.

When installed outdoor, the luminaire must be protected from constant pendulum movement due to wind. The luminaire has fixing points for anchoring devices. The luminaire fulfils the requirements for assembly halls according to DIN 57108/VDE 0108.

**Product description**

Luminaire made of aluminium alloy,

aluminium and stainless steel

Colour white

White synthetic sphere

Silicone gasket

4 drilled holes with thread M4 to which tension cables preventing pendulum movement can be fixed

Cable pendant H05RN-F 5 G 1<sup>□</sup>

with 2 steel cords · Colour black

Overall length of luminaire approx. 4000 mm

Mounting plate with 2 fixing

holes  $\varnothing$  5.5 mm · 70 mm spacing

2 cable entries for through-wiring of mains

supply cable  $\varnothing$  7-10.5 mm, max. 5 G 1.5<sup>□</sup>

Connecting terminal 2.5<sup>□</sup>

with plug connection

Earth conductor connection

LED power supply unit

220-240 V  $\sim$  0/50-60 Hz

DC 176-264 V

During DC operation the LED power

is reduced to 50 %

DALI controllable

A basic isolation exists between power cable and control line

Safety class I

Protection class IP 64

Dust-tight and protection against splash water

CE – Conformity mark

Weight: 8.6 kg

**Lamp**

Module connected wattage 46.4 W

Luminaire connected wattage 51 W

Rated temperature  $t_a = 25$  °C

Ambient temperature  $t_{a,max} = 45$  °C

On request we can offer you modifications for environments with higher temperatures as a customized product.

**24 131 K3**

Module designation 8x LED-0884/830

Colour temperature 3000 K

Colour rendering index CRI >80

Module luminous flux 8760 lm

Luminaire luminous flux 7751 lm

Luminaire luminous efficiency 152 lm/W

**24 131 K4**

Module designation 8x LED-0884/840

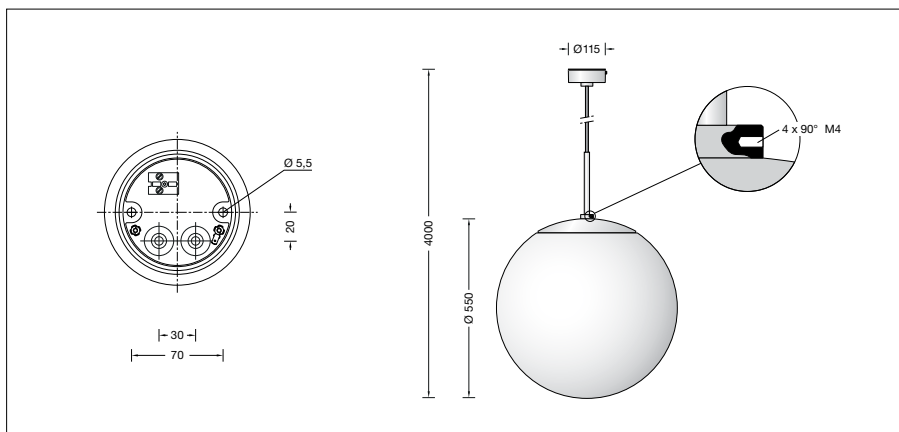
Colour temperature 4000 K

Colour rendering index CRI >80

Module luminous flux 8960 lm

Luminaire luminous flux 7928 lm

Luminaire luminous efficiency 155,5 lm/W

**Lifetime of the LED**

Ambient temperature  $t_a = 25$  °C

– at 365,000h: L70B50

max. ambient temperature  $t_a = 45$  °C

– at 110,000h: L70B50

**Inrush current**

Inrush current: 5 A / 100  $\mu$ s

Maximum number of luminaires of this type per miniature circuit breaker:

B 10A: 27 luminaires

B 16A: 44 luminaires

C 10A: 27 luminaires

C 16A: 44 luminaires

**Article No. 24 131**

LED colour temperature optionally 3000K

or 4000K

3000 K – Article number + **K3**

4000 K – Article number + **K4**