

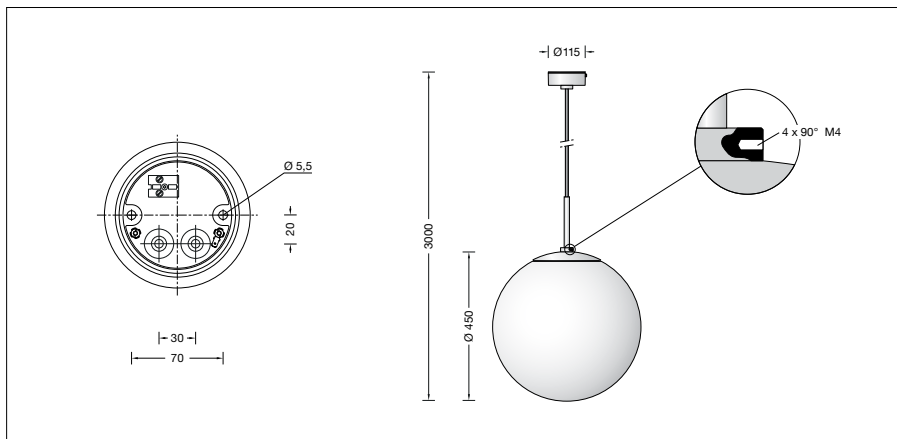
BEGA**24 130**

Pendant luminaire

IP 64

Project · Reference number

Date



Product data sheet

Product description

Luminaire made of aluminium alloy, aluminium and stainless steel
 Colour white
 White synthetic sphere
 Silicone gasket
 4 drilled holes with thread M4 to which tension cables preventing pendulum movement can be fixed
 Cable pendant H05RN-F 5G 1[□] with 2 steel cords · Colour black
 Overall length of luminaire approx. 3000 mm
 Mounting plate with 2 fixing holes \varnothing 5.5 mm · 70 mm spacing
 2 cable entries for through-wiring of mains supply cable \varnothing 7-10.5 mm, max. 5G 1.5[□]
 Connecting terminal 2.5[□] with plug connection
 Earth conductor connection
 LED power supply unit
 220-240 V \sim 0/50-60 Hz
 DC 176-264 V
 During DC operation the LED power is reduced to 50 %
 DALI controllable
 A basic isolation exists between power cable and control line
 Safety class I
 Protection class IP 64
 Dust-tight and protection against splash water
 Impact strength IK10
 Protection against mechanical impacts < 20 joule
CE – Conformity mark
 Weight: 4.4 kg

Application

Pendant luminaire for illuminating passages or high rooms.
 For interior and exterior lighting applications.
 For installation on cantilever plates or on support structures in exterior areas.
 When installed outdoor, the luminaire must be protected from constant pendulum movement due to wind. The luminaire has fixing points for anchoring devices.

Lamp

Module connected wattage	34.8 W
Luminaire connected wattage	38.7 W
Rated temperature	$t_a = 25^\circ\text{C}$
Ambient temperature	$t_{a\text{max}} = 45^\circ\text{C}$

On request we can offer you modifications for environments with higher temperatures as a customized product.

24 130 K3

Module designation	6x LED-0884/830
Colour temperature	3000 K
Colour rendering index	CRI > 80
Module luminous flux	6570 lm
Luminaire luminous flux	5543 lm
Luminaire luminous efficiency	143,2 lm/W

24 130 K4

Module designation	6x LED-0884/840
Colour temperature	4000 K
Colour rendering index	CRI > 80
Module luminous flux	6720 lm
Luminaire luminous flux	5670 lm
Luminaire luminous efficiency	146,5 lm/W

Inrush current

Inrush current: 5 A / 100 μs
 Maximum number of luminaires of this type per miniature circuit breaker:
 B 10A: 27 luminaires
 B 16A: 44 luminaires
 C 10A: 27 luminaires
 C 16A: 44 luminaires

Service life of the LED

Ambient temperature $t_a = 25^\circ\text{C}$
 – at 148,000h: L70B50

max. ambient temperature $t_a = 45^\circ\text{C}$
 – at 50,000h: L70B50

Article No. 24 130

LED colour temperature optionally 3000 K or 4000 K
 3000 K – Article number + **K3**
 4000 K – Article number + **K4**

Light distribution

