

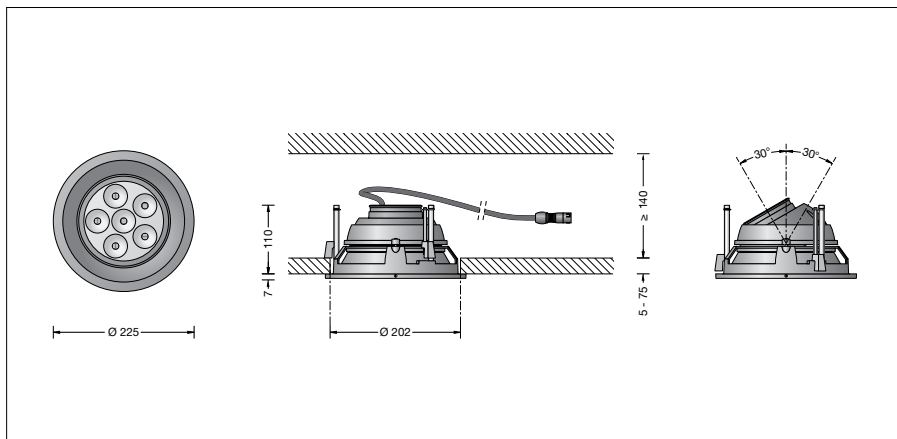
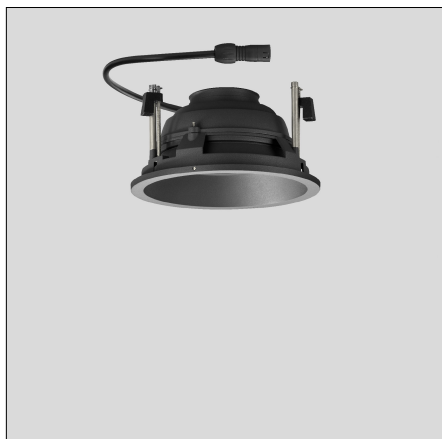
BEGA**24 047**

Recessed ceiling luminaire

IP 65

Project · Reference number

Date



Product data sheet

Application

LED recessed ceiling luminaire with adjustable light distribution. The used LED technique offers durability and optimal light output with low power consumption at the same time. A remote power supply unit is required to operate this luminaire.

If this luminaire should be integrated into a LCN or Zigbee controlled building management system we recommend our BEGA Control light control system.

Product description

LED recessed luminaire without power supply unit
 Luminaire made of cast aluminium, aluminium and stainless steel
 Clear safety glass
 Silicone gasket
 Luminaire housing with 3 fixing claws and guide screws
 Recessed opening \varnothing 202 mm
 Recessed depth required 140 mm
 0,5 m mains supply cable A05VV-F 2x0,5² with plug
 Safety class III \diamond
 Protection class IP 65
 Dust-tight and protection against water jets
 Impact strength IK06
 Protection against mechanical impacts < 1 joule
CE – Conformity mark
 Weight: 1.9 kg

Lamp

Module connected wattage	11.5 W
Luminaire connected wattage	13.8 W
Rated temperature	$t_a = 25\text{ }^\circ\text{C}$
Ambient temperature	$t_{a\text{ max}} = 40\text{ }^\circ\text{C}$
When installed in heat-insulating material	$t_{a\text{ max}} = 25\text{ }^\circ\text{C}$

On request we can offer you modifications for environments with higher temperatures as a customized product.

24 047 K3

Module designation	LED-0833/830
Colour temperature	3000 K
Colour rendering index	CRI > 80
Module luminous flux	1830 lm
Luminaire luminous flux	1017 lm
Luminaire luminous efficiency	73,7 lm/W

24 047 K4

Module designation	LED-0833/840
Colour temperature	4000 K
Colour rendering index	CRI > 80
Module luminous flux	2010 lm
Luminaire luminous flux	1117 lm
Luminaire luminous efficiency	80,9 lm/W

Service life of the LED

Ambient temperature $t_a = 25\text{ }^\circ\text{C}$
 – at 200,000h: L70B50

max. ambient temperature $t_a = 40\text{ }^\circ\text{C}$
 – at 200,000h: L70B50

Light technique

Recessed luminaire with adjustable optical system.

Optical system 0-30° swivel-mounted and $\pm 180^\circ$ infinitely rotatable.

Narrow beam rotationally symmetrical light distribution. Half beam angle 13°

For special lighting applications, it is possible to alter the symmetrical light cone to create wide beam or flat beam light distribution by changing the cover glass.

For wide beam light distribution:

Diffuser lens **10047**, half beam angle 40°

For flat beam light distribution:

Diffuser lens **10016**, half beam angle 17°/34°

Light cone $\pm 90^\circ$ rotatable.

Article No. 24 047

LED colour temperature optionally 3000K or 4000K

3000 K – Article number + **K3**

4000 K – Article number + **K4**

Colour optionally graphite or white

Graphite – Article number

White – Article number + **W**

Accessories

Power supply units for LED luminaires 220-240 V · 0/50-60 Hz with strain relief and plug connector system.

13 191 Power supply unit on/off

10 520 Power supply unit DALI

The power supply units are only suitable for the operation of one LED luminaire.

10 443 Installation housing

10 047 Exchangeable lens wide beam

10 016 Exchangeable lens flat beam

For the accessories a separate instructions for use can be provided upon request.

Light distribution