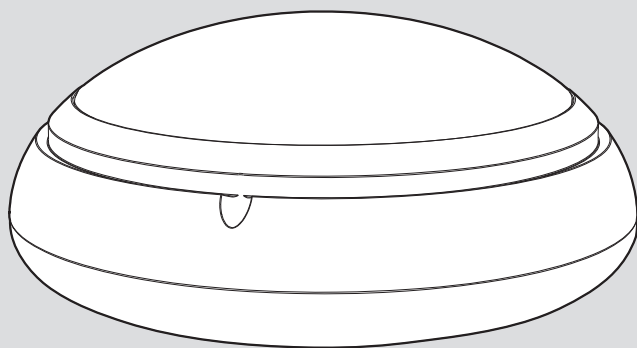


# Artemide®

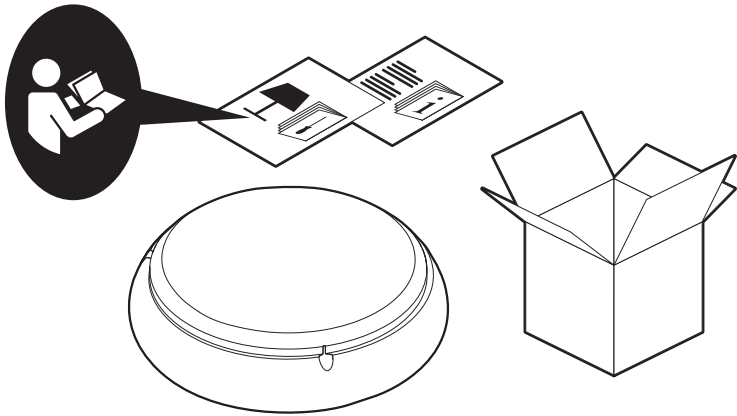
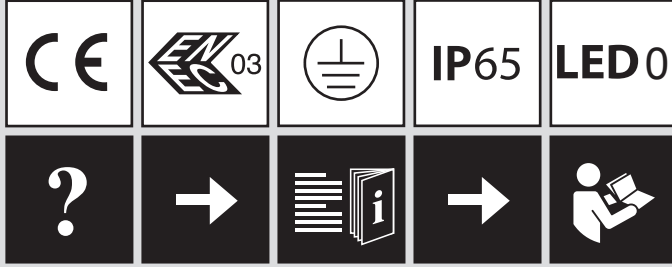
## Pantarei

design  
Ernesto Gismondi

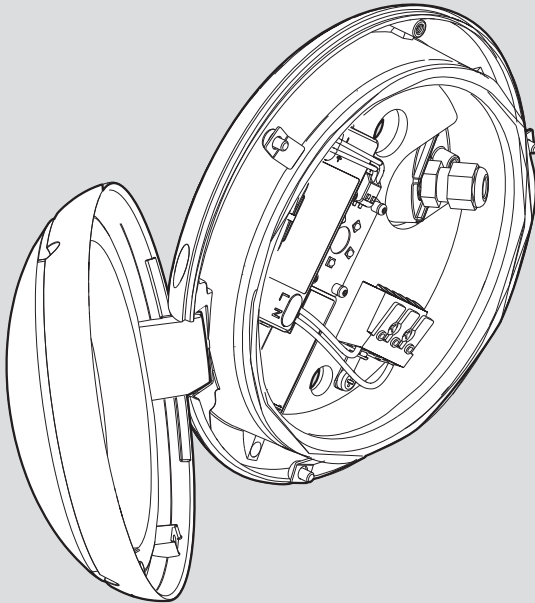
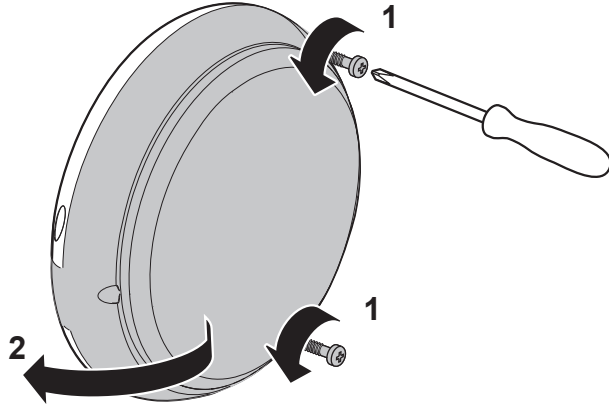


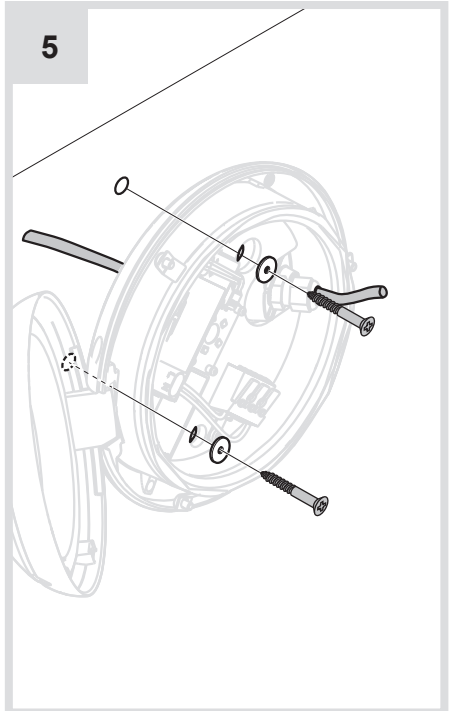
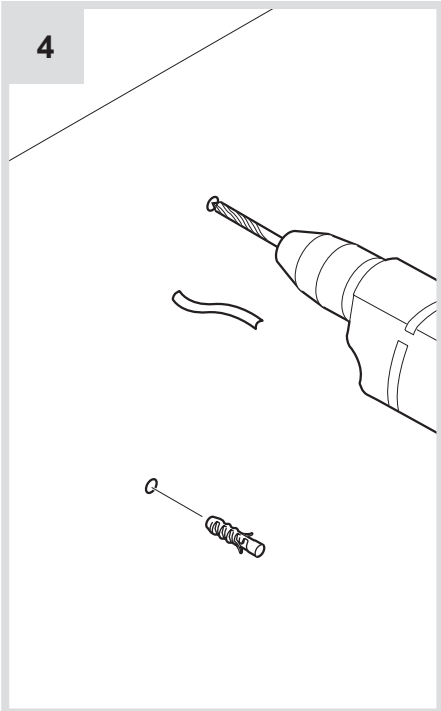
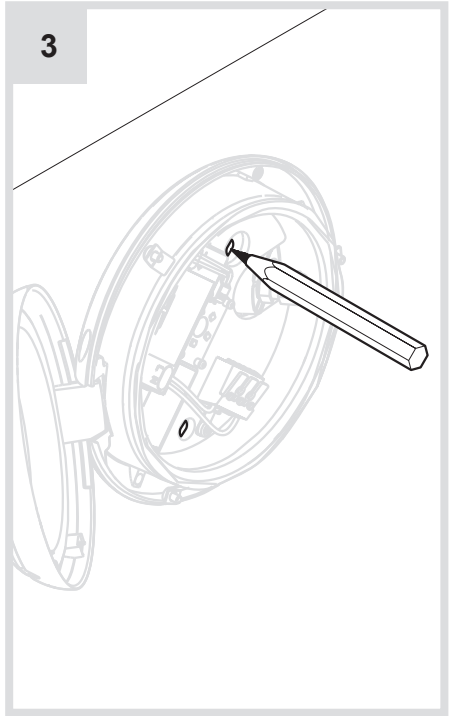
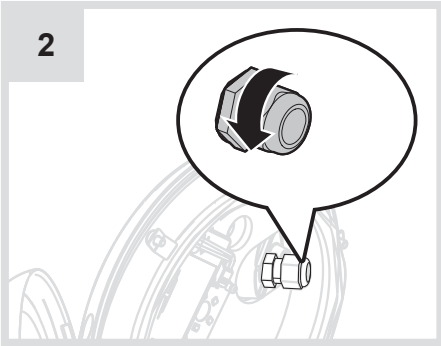
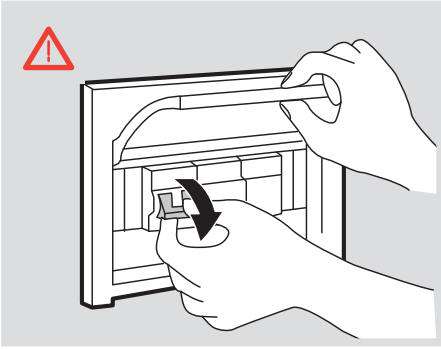


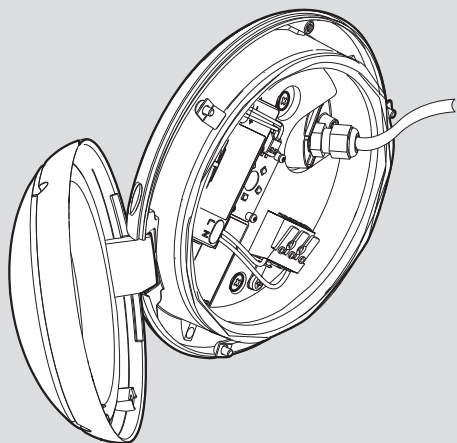
i



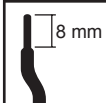
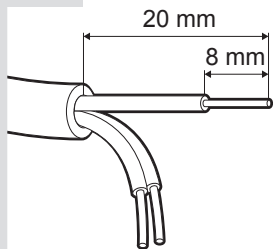
1



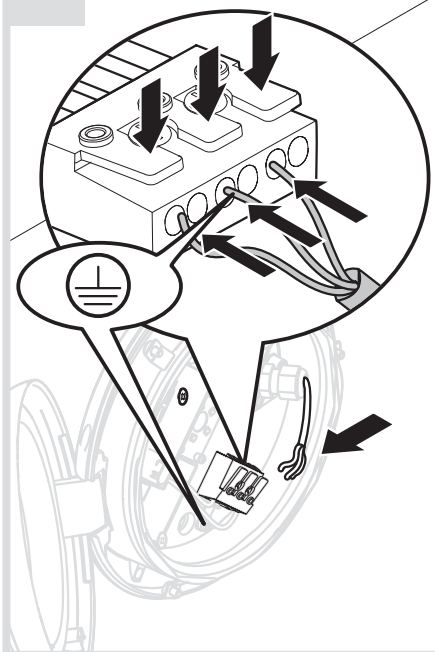




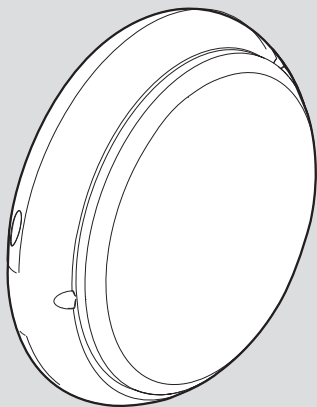
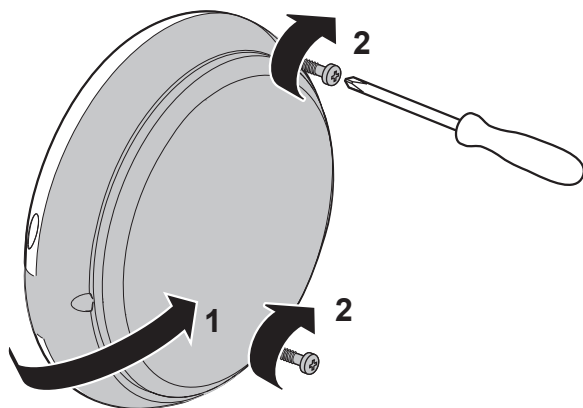
6



7



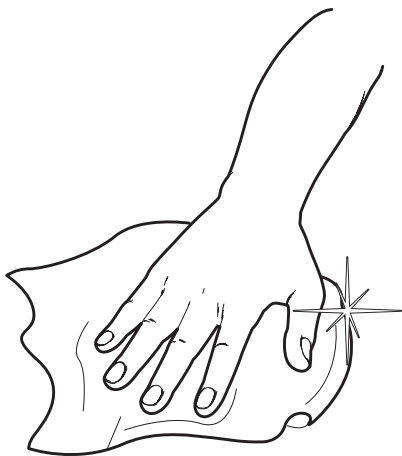
8



i



1



**Artemide®**



**Artemide**

via Bergamo, 18  
20010 Pregnana M.se (MI)  
ITALIA

tel. +39 02 935 181  
fax +39 02 935 90 254  
fax +39 02 935 90 496

[www.artemide.com](http://www.artemide.com)

VAT IT00846890150

cod. Y513000068