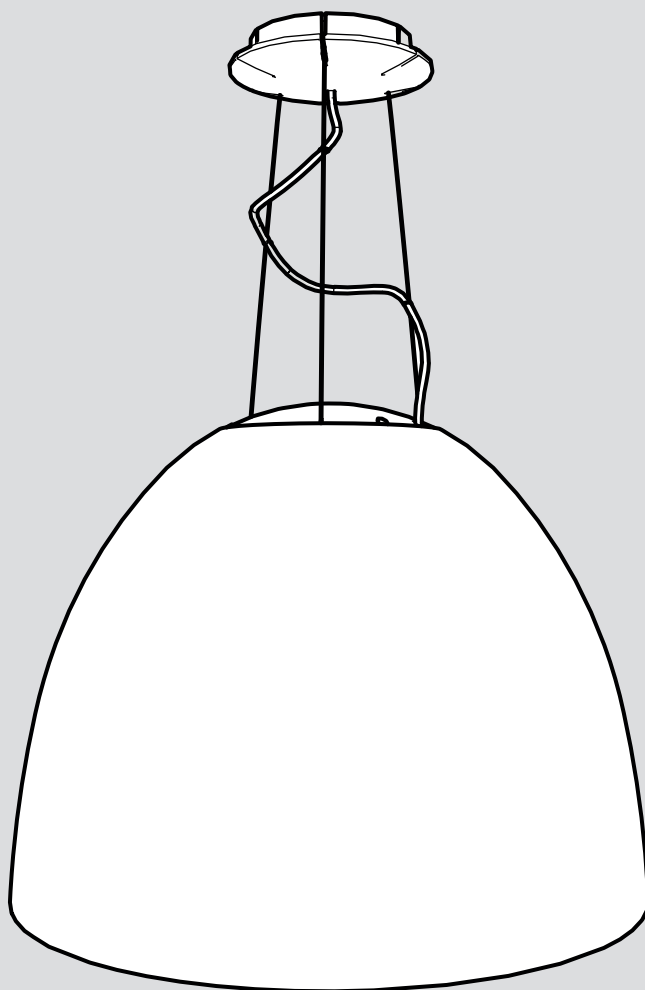


# Artemide®

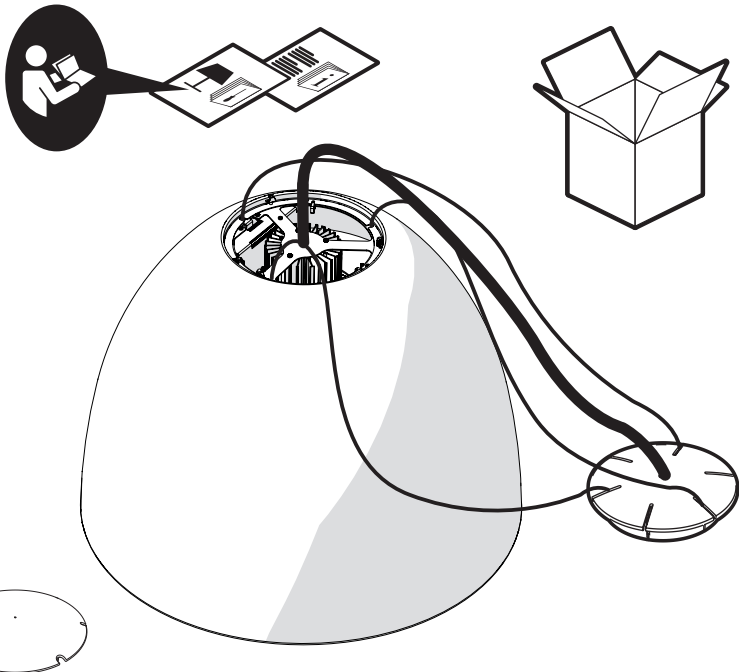
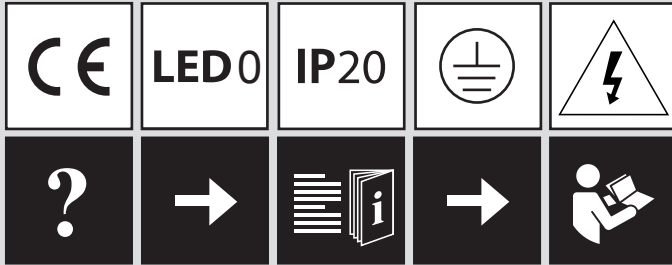
## Nur 1618

design  
Ernesto Gismondi

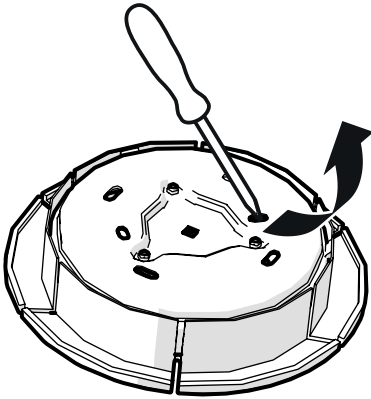




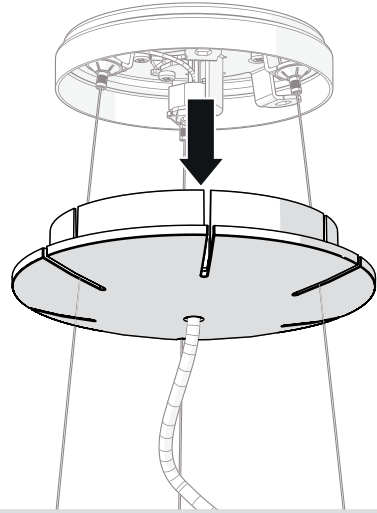
i



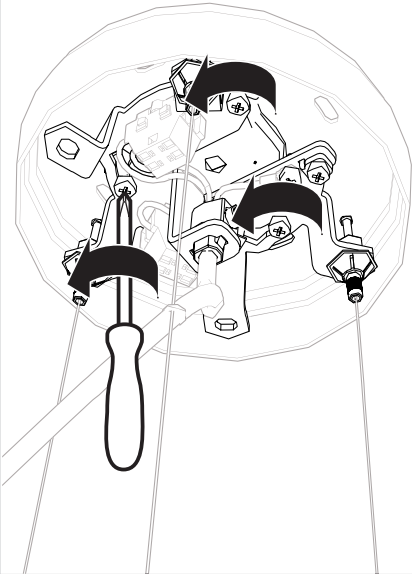
1



2



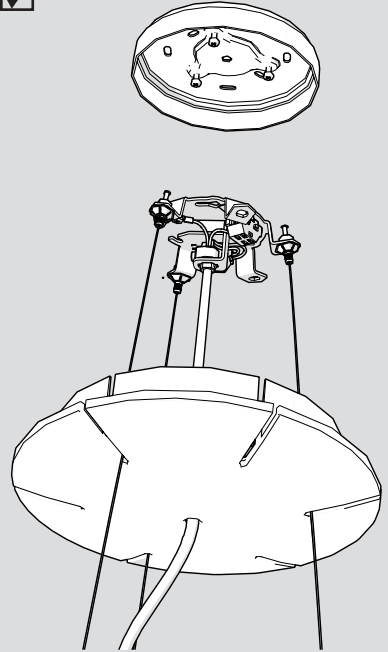
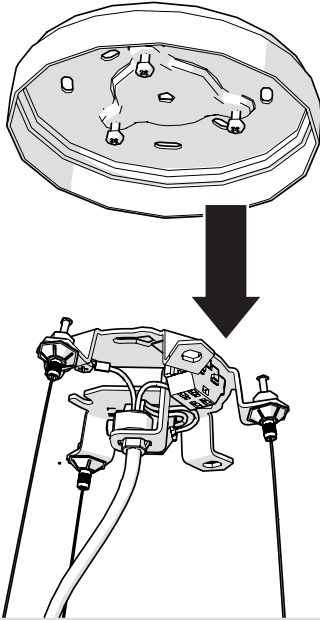
3



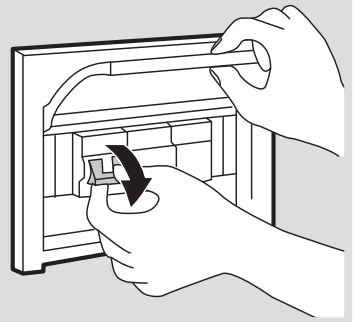
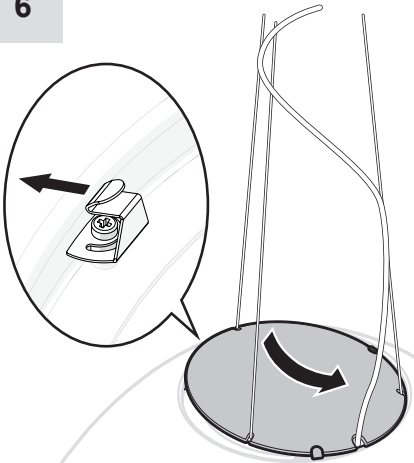
4



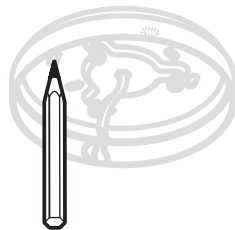
5



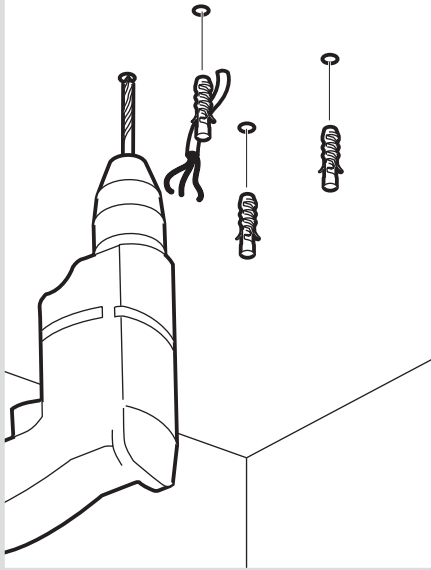
6



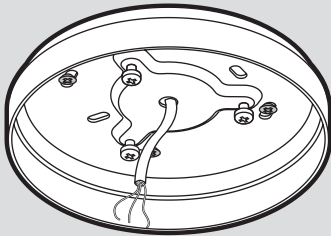
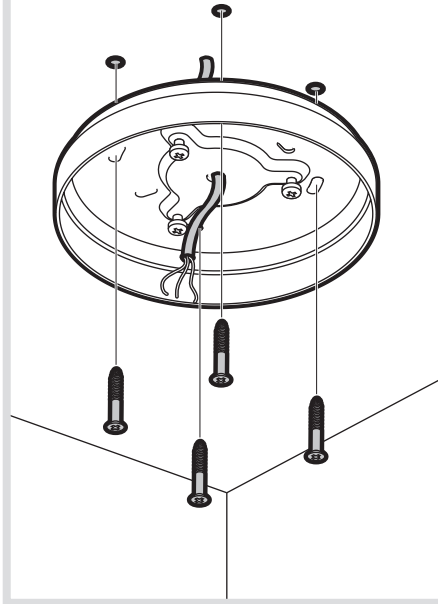
7



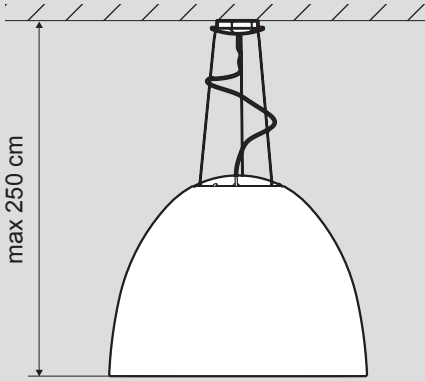
8



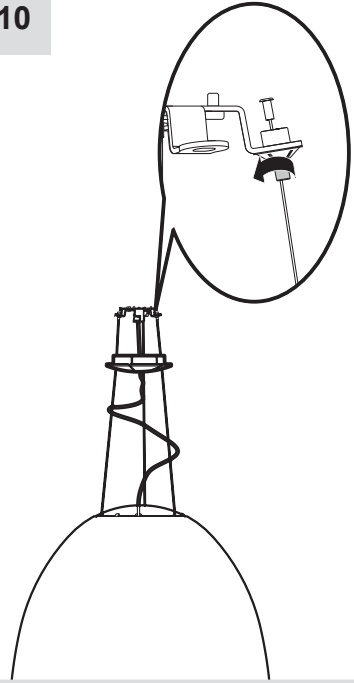
9



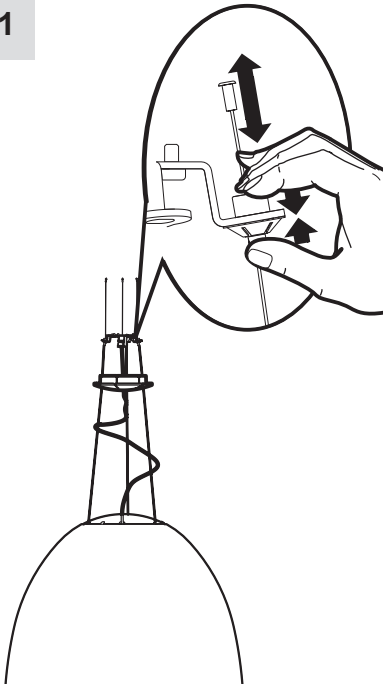
**i**



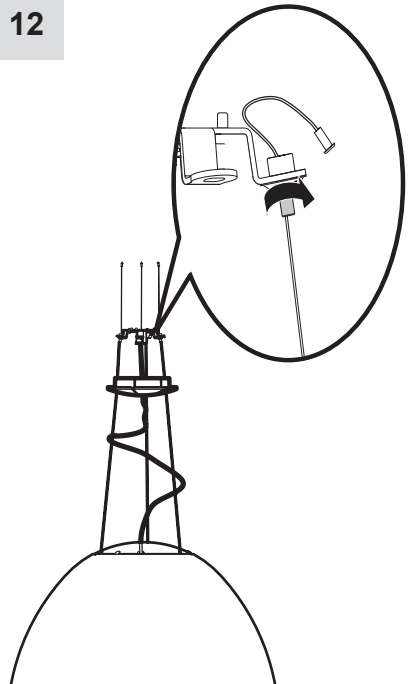
**10**



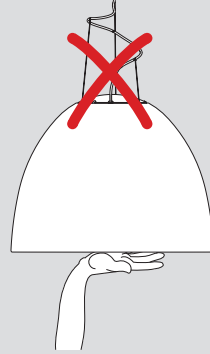
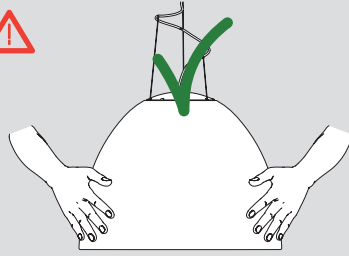
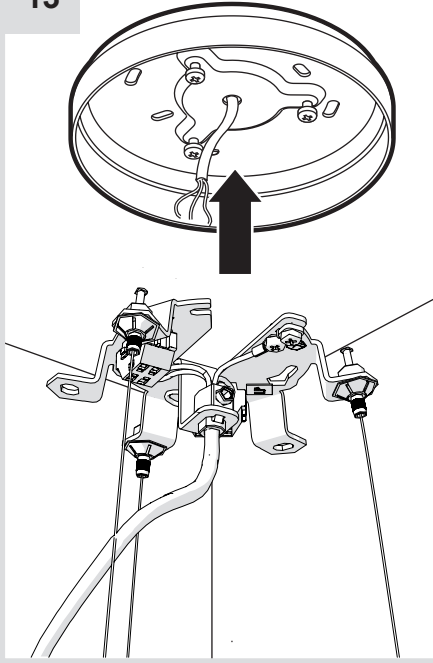
**11**



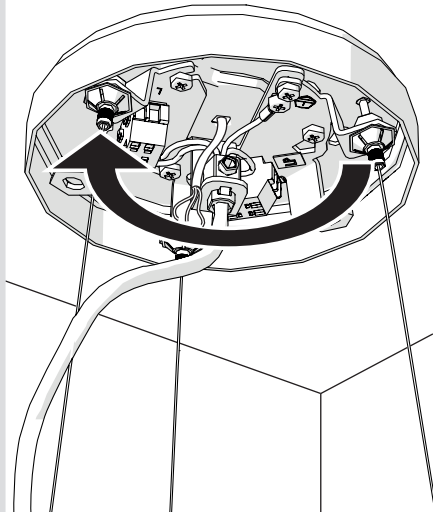
**12**



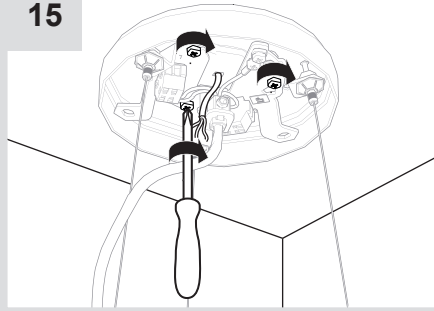
13



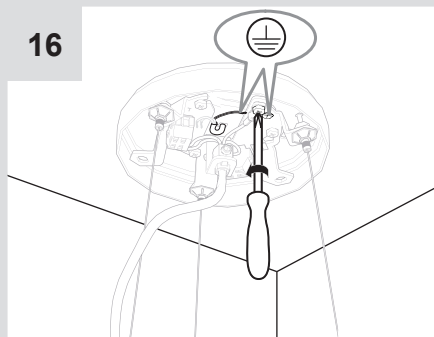
14



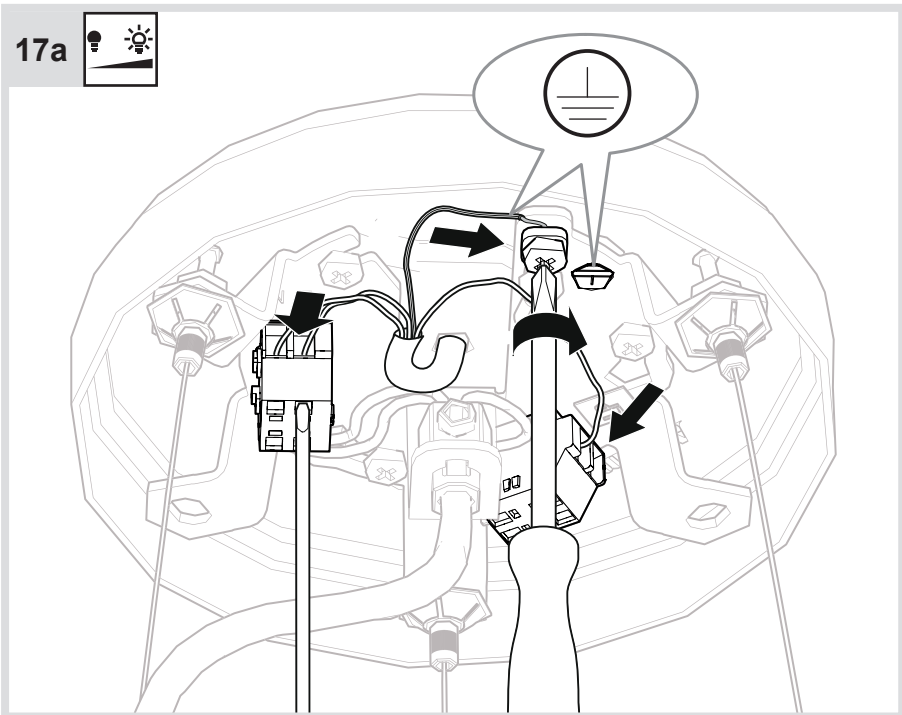
15



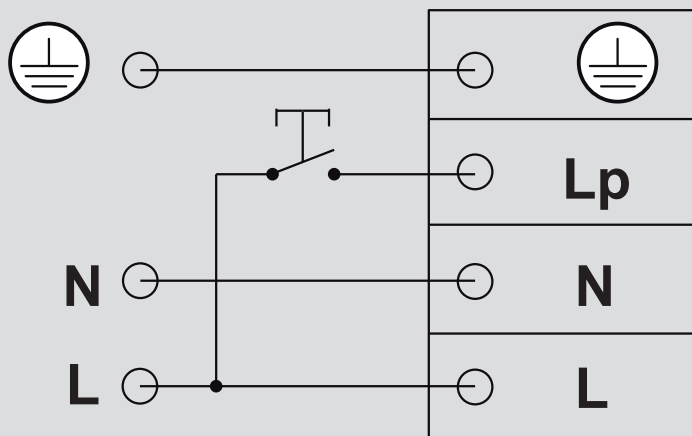
16



17a

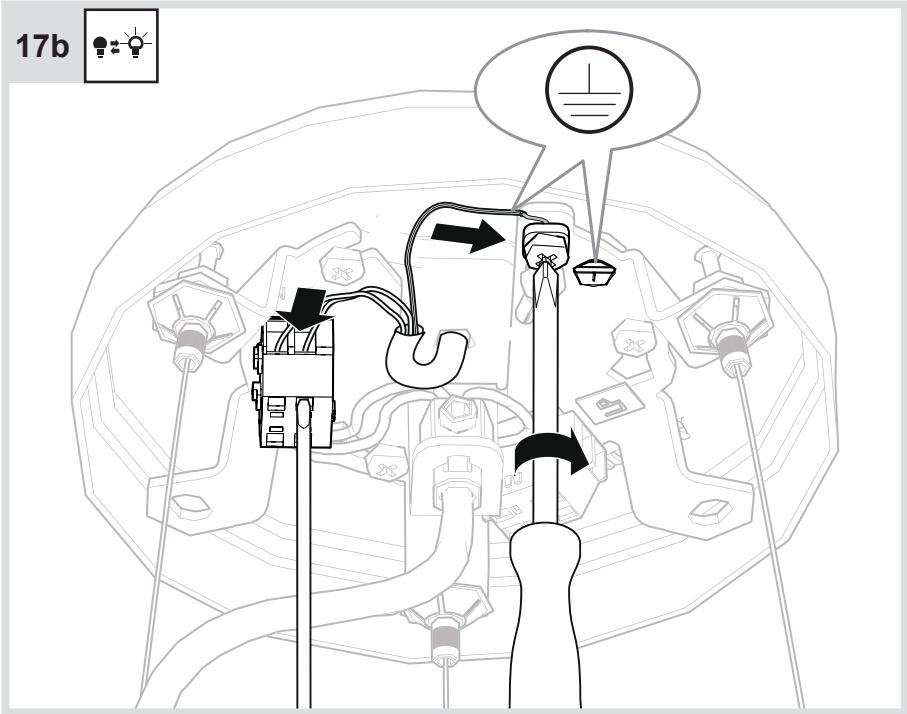


**i**

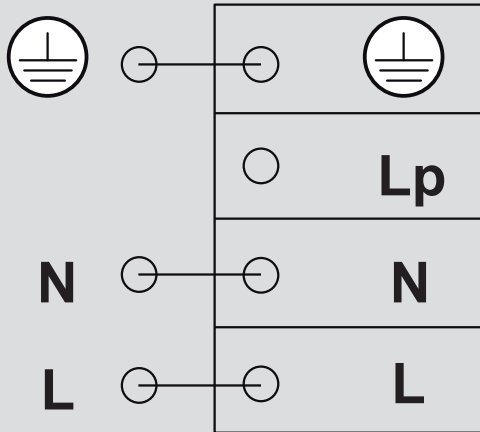




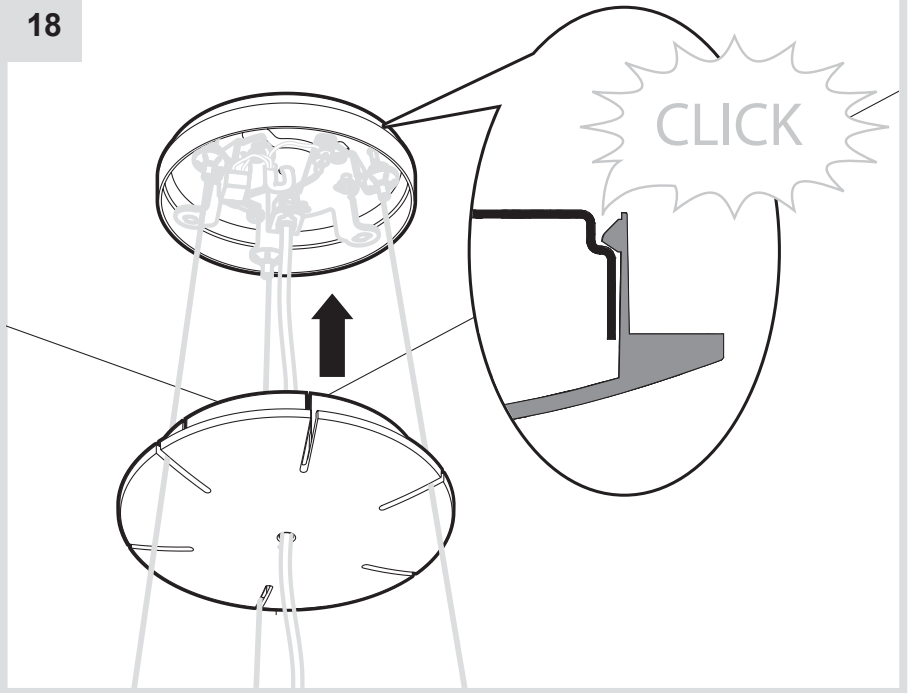
17b



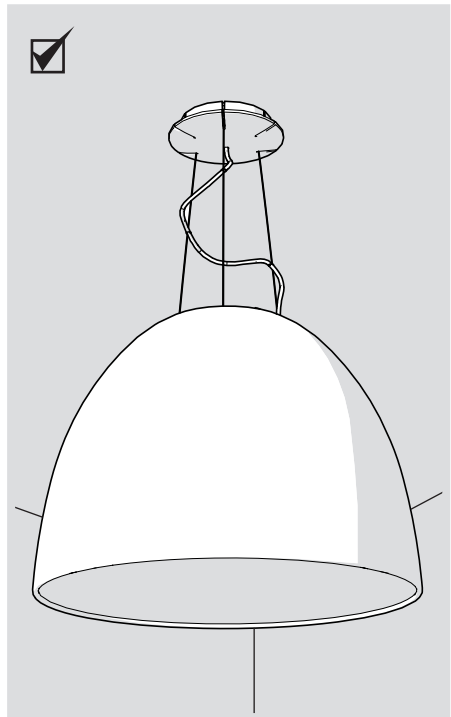
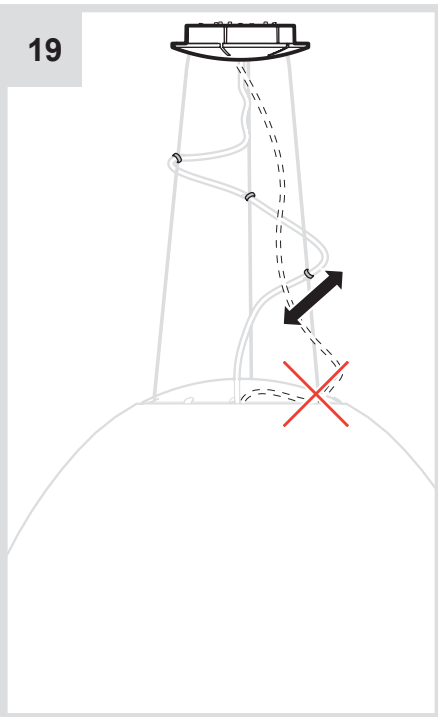
**i**



18



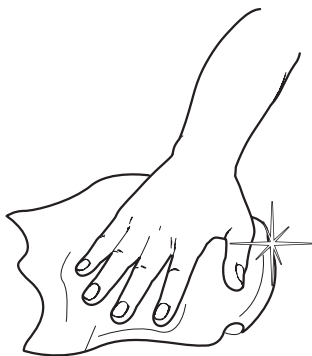
19



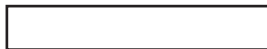
**i**



**1**



**Artemide®**



**Artemide**

via Bergamo, 18  
20010 Pregnana M.se (MI)  
ITALIA

tel. +39 02 935 181  
fax +39 02 935 90 254  
fax +39 02 935 90 496

[www.artemide.com](http://www.artemide.com)

VAT IT00846890150

cod. Y513000294A