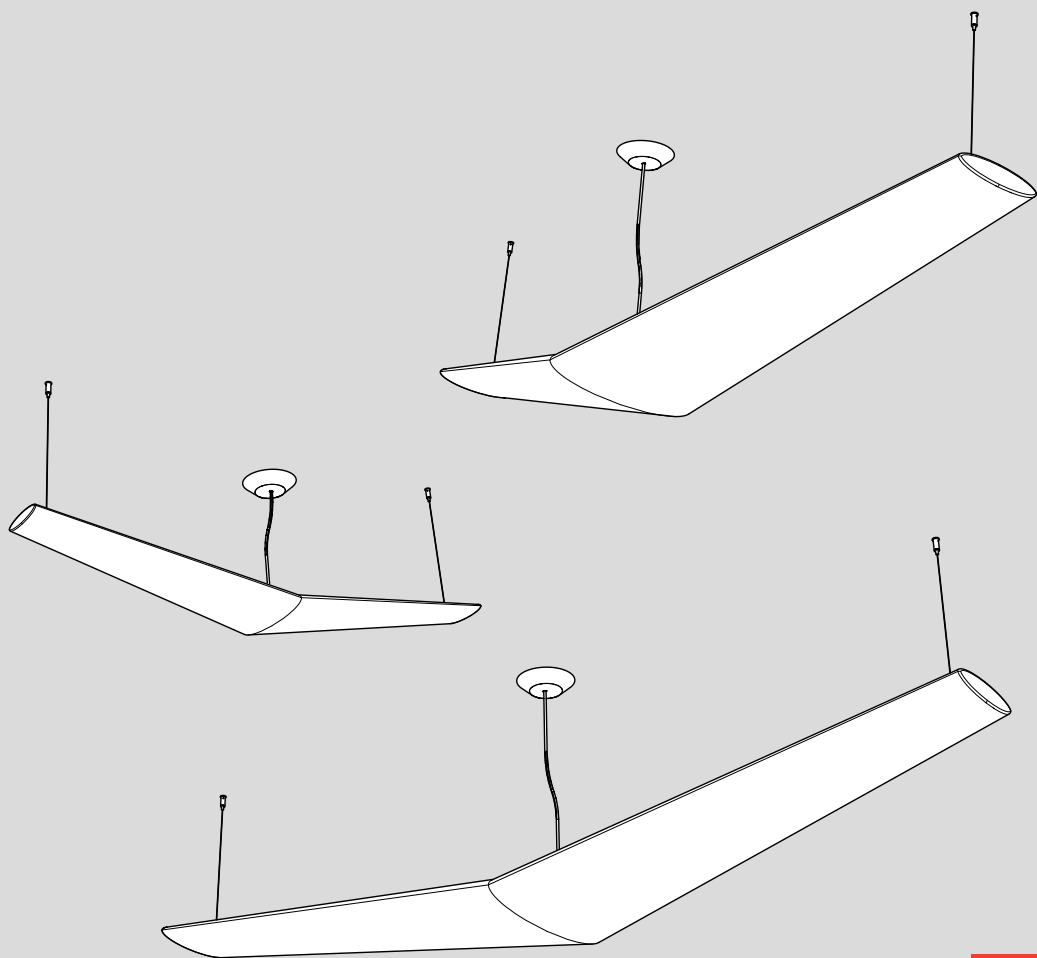


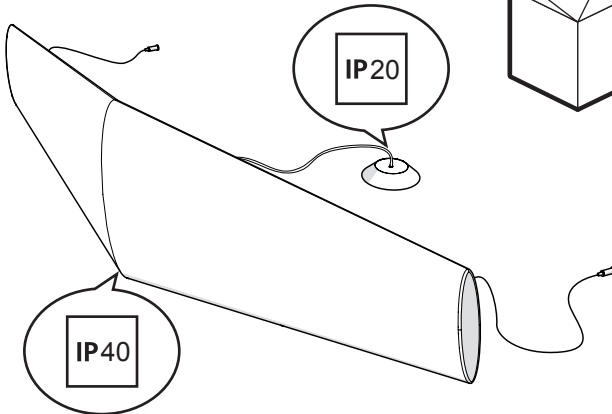
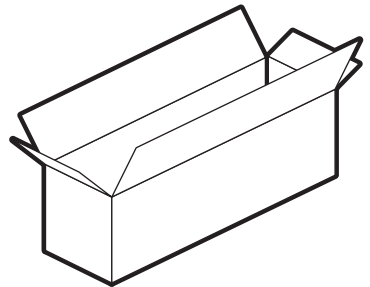
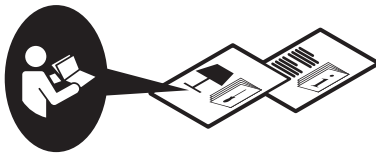
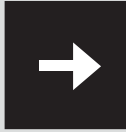
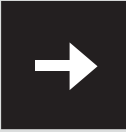
Mouette

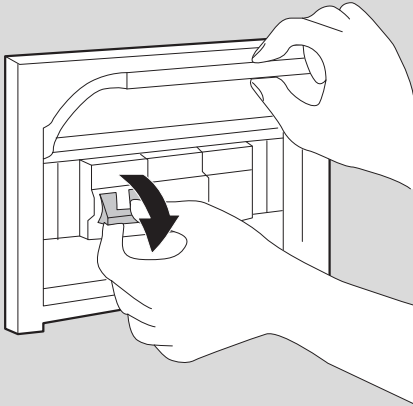
design
Wilmotte & Associés



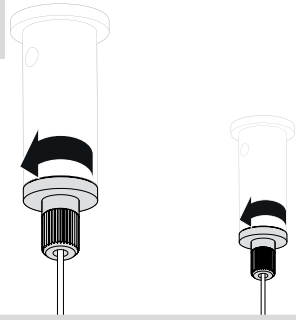


i

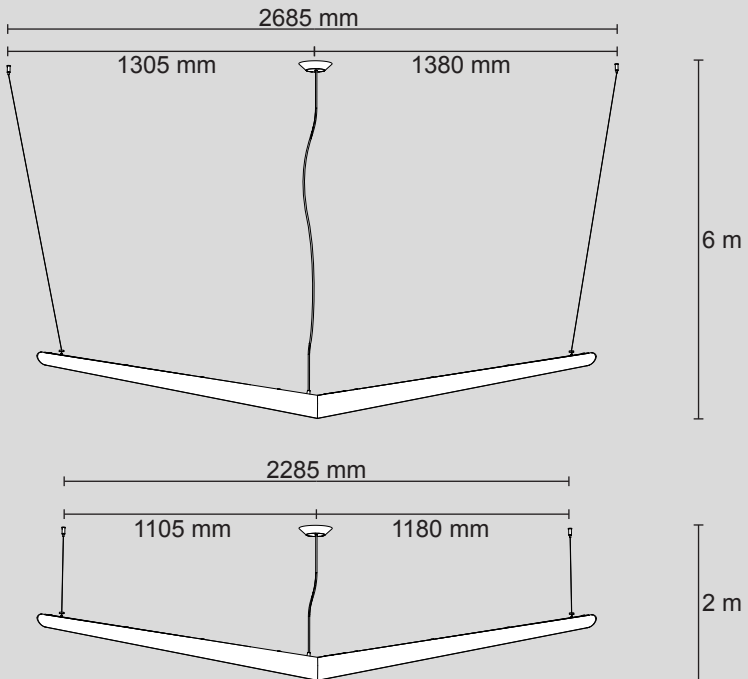
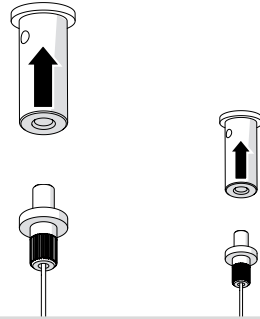


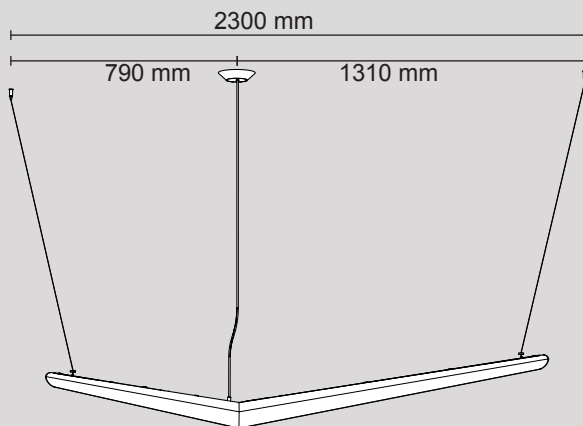


1

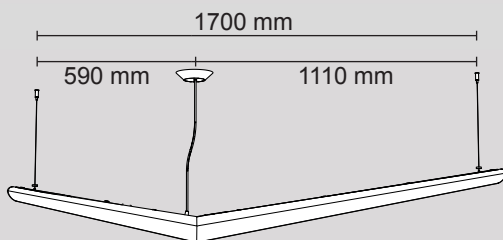


2

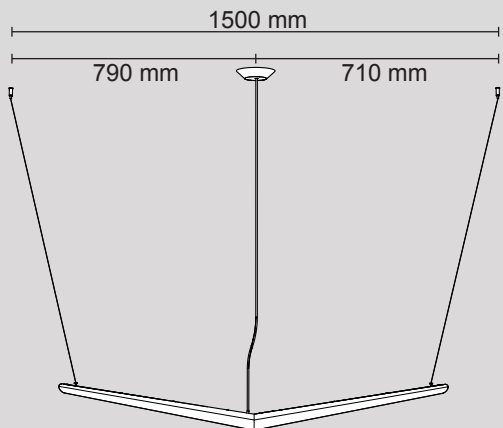




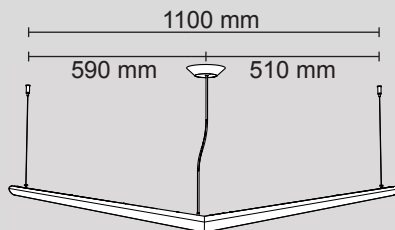
6 m



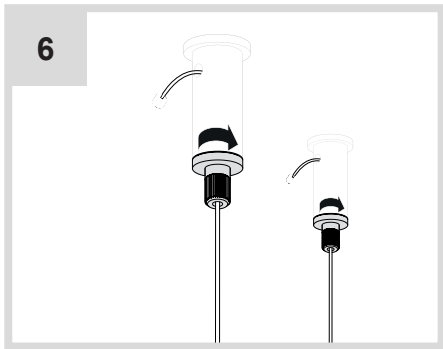
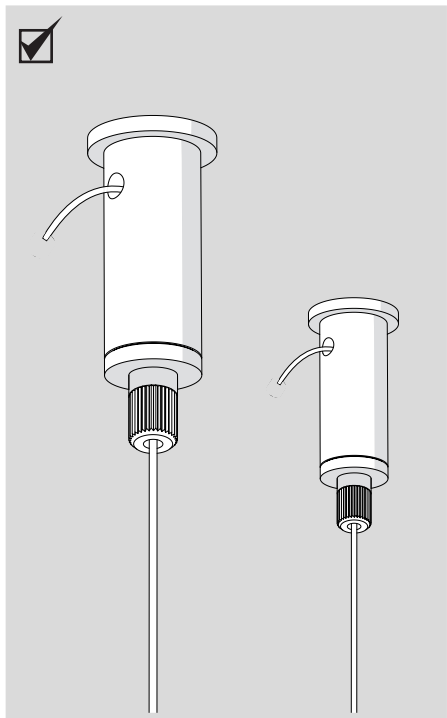
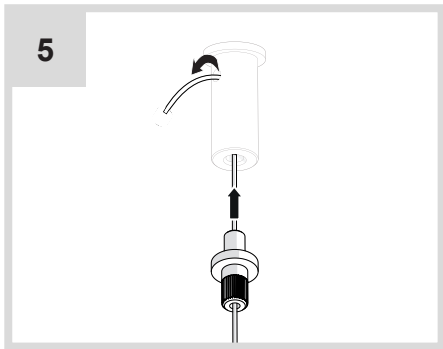
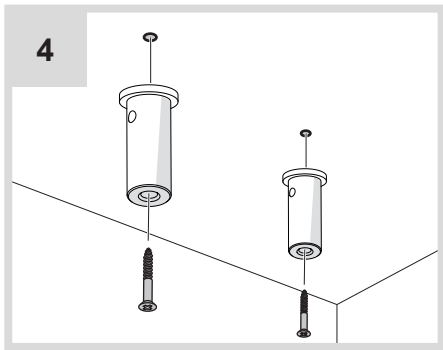
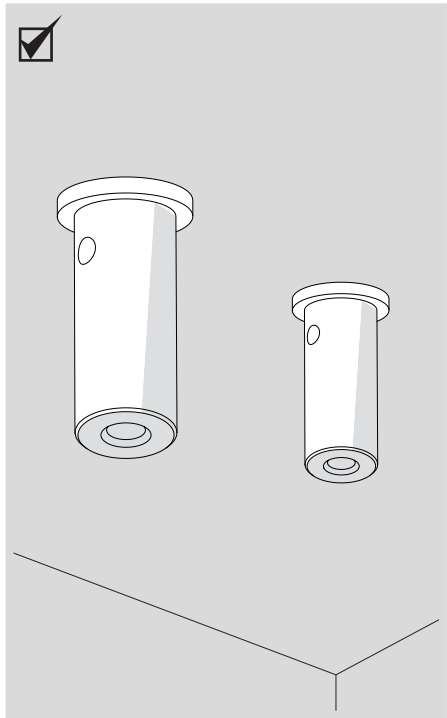
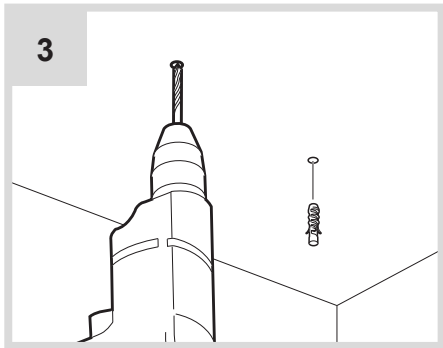
2 m

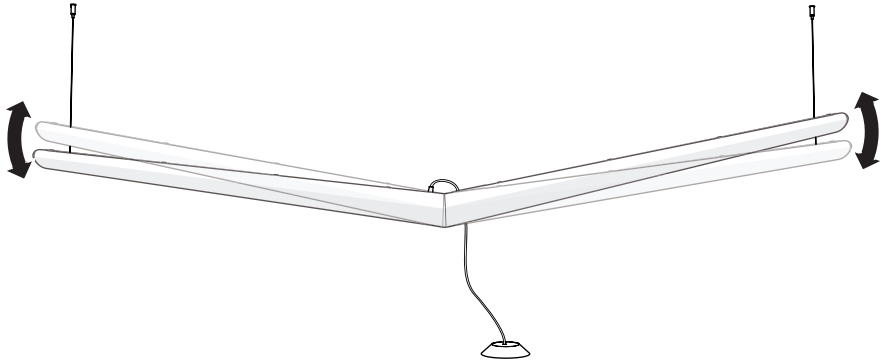


6 m

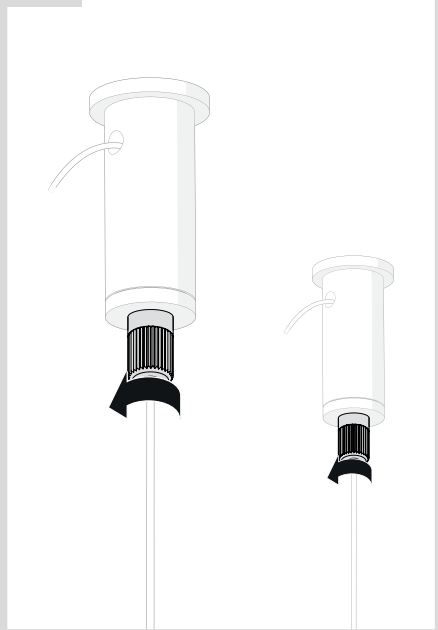


2 m

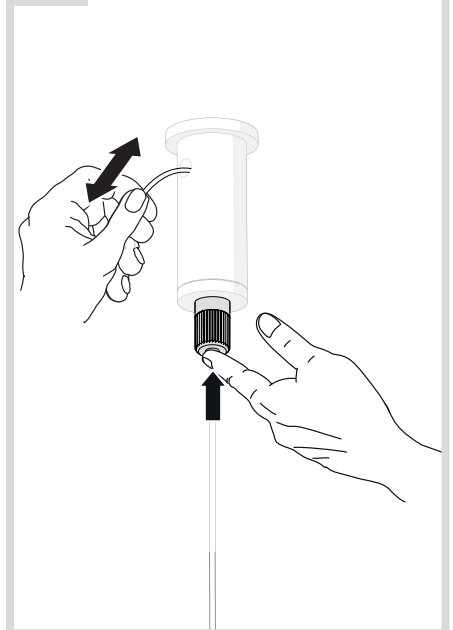




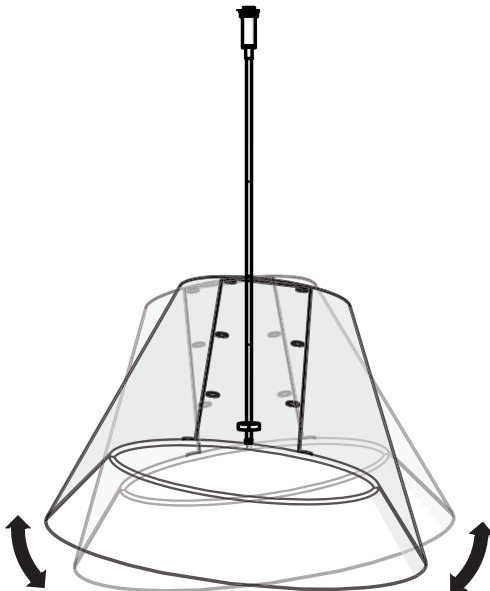
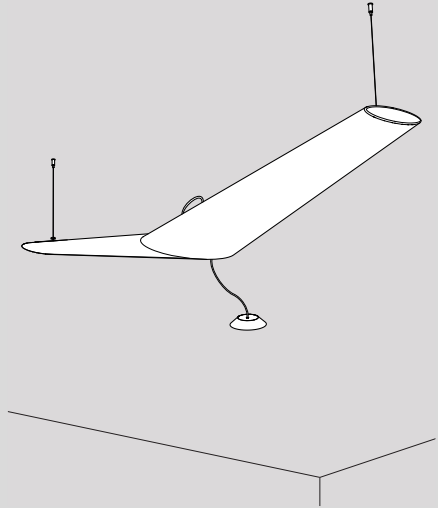
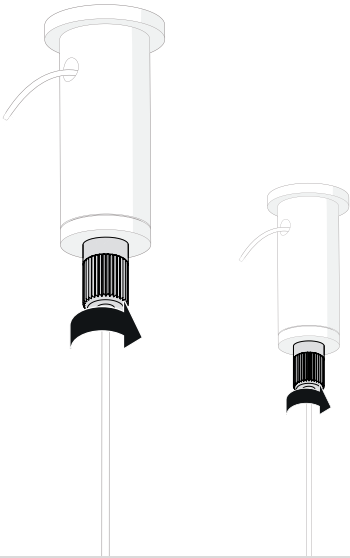
7

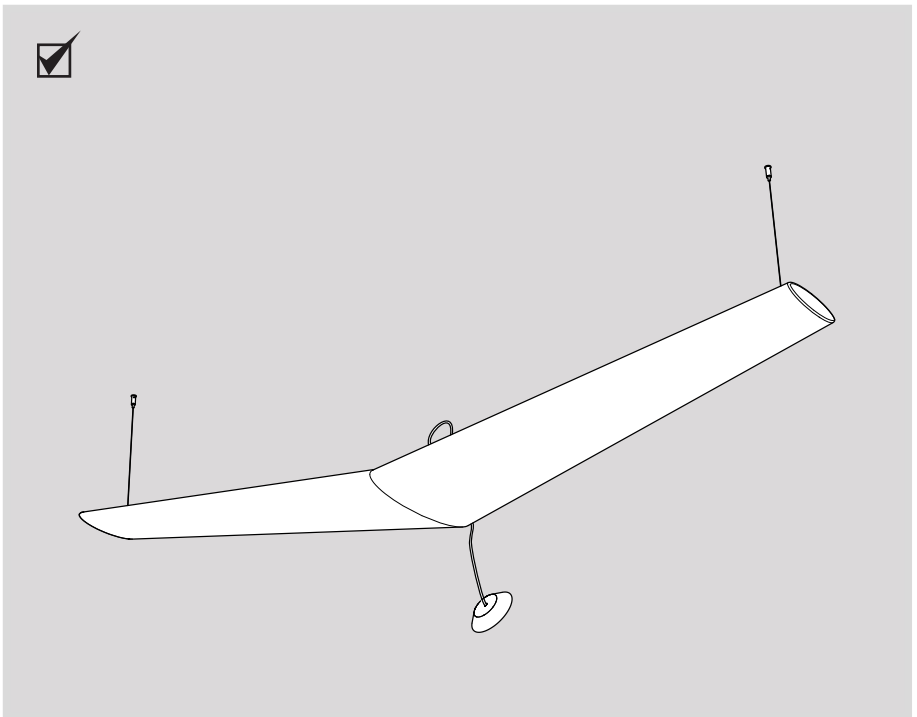
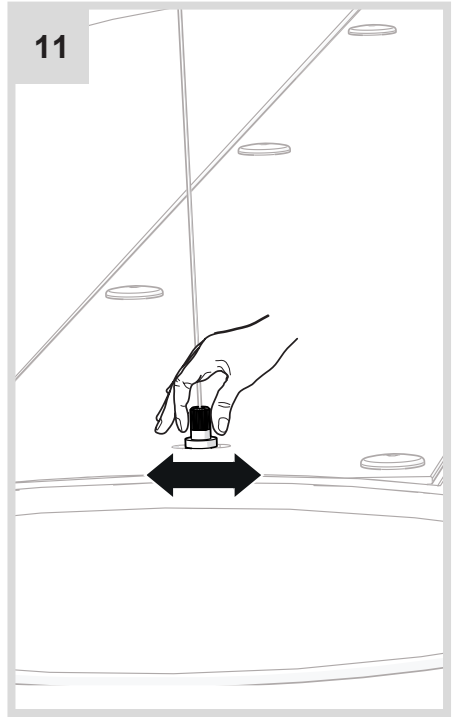
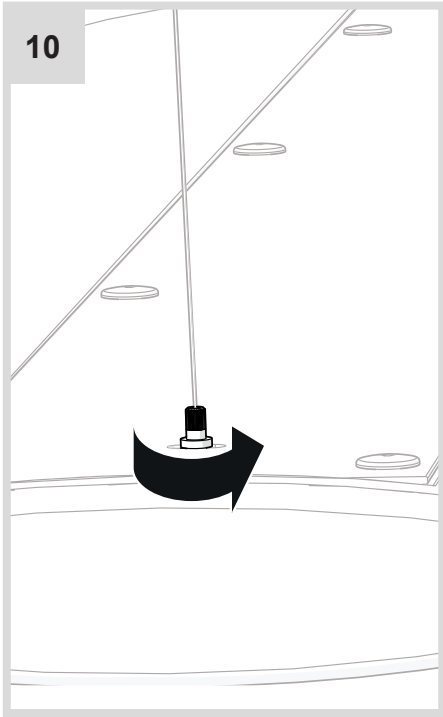


8

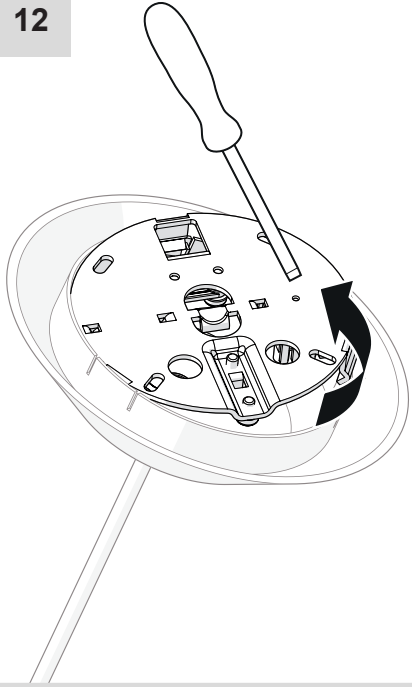


9

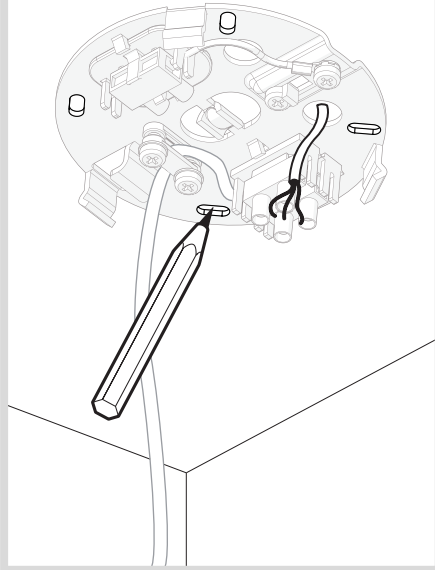




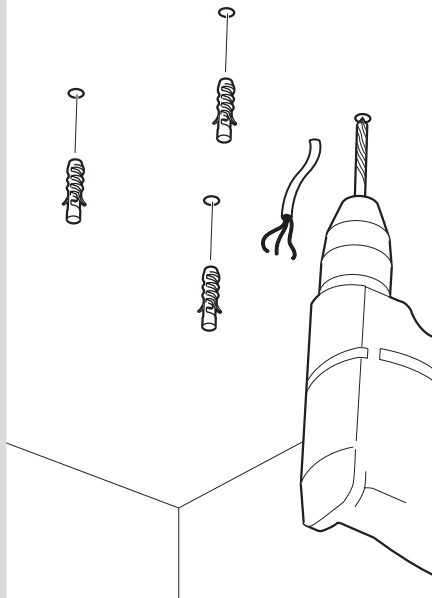
12



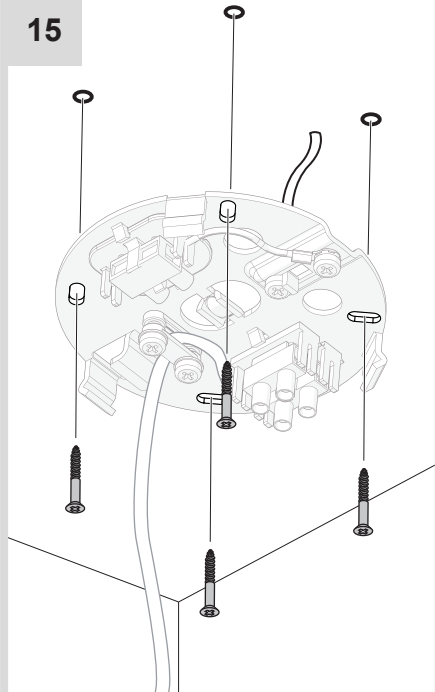
13



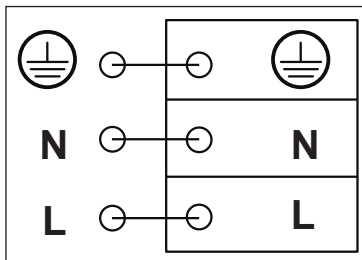
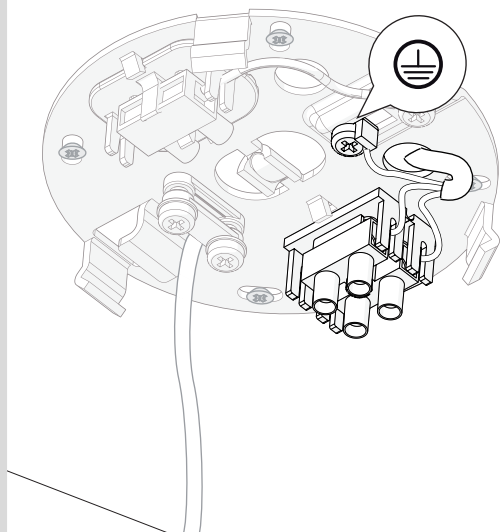
14



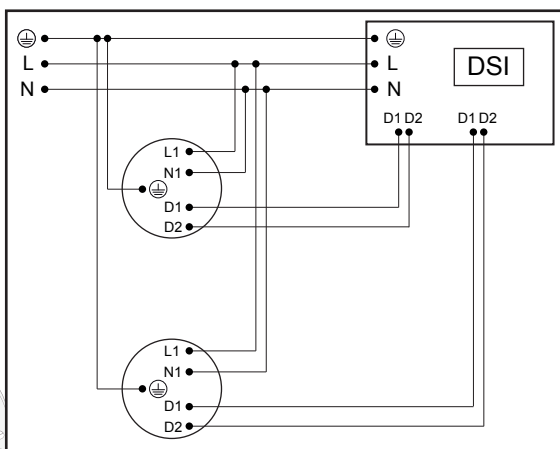
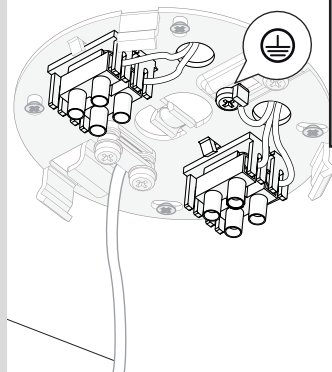
15



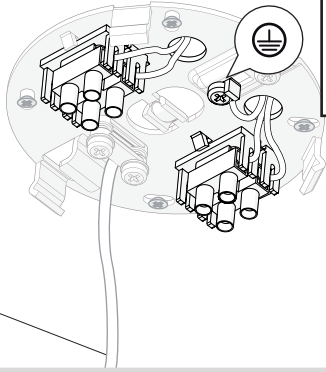
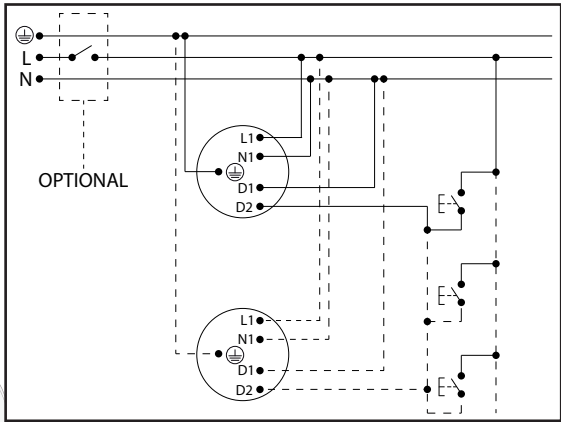
16a



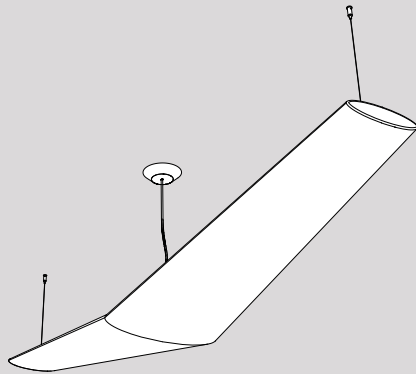
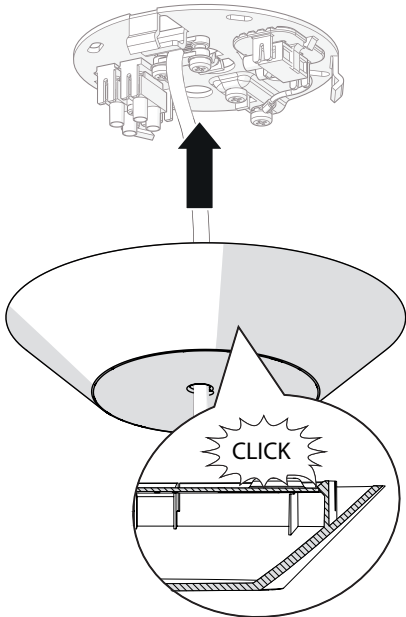
16b

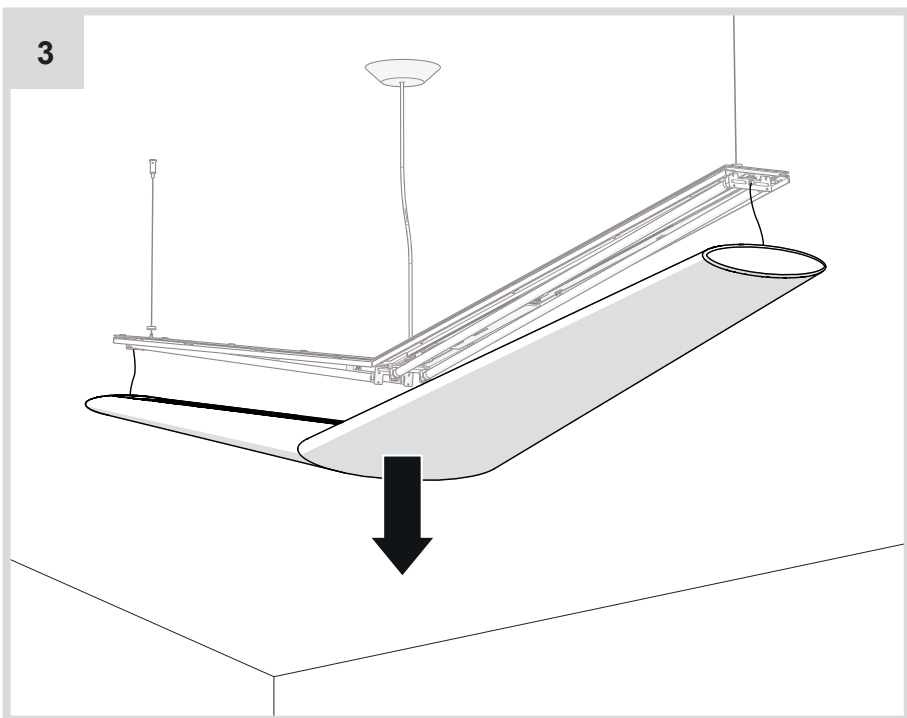
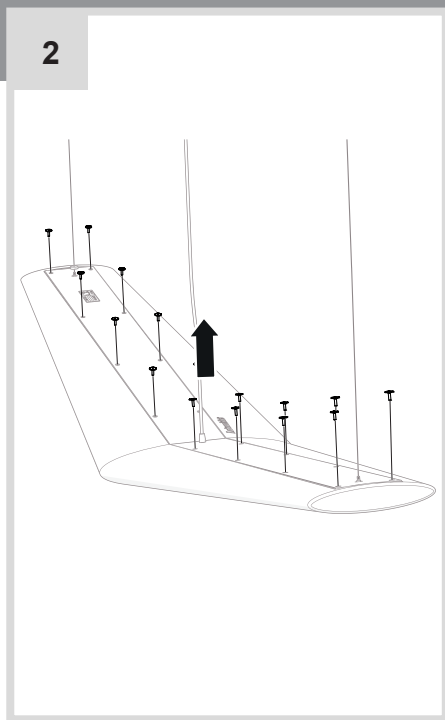


16c

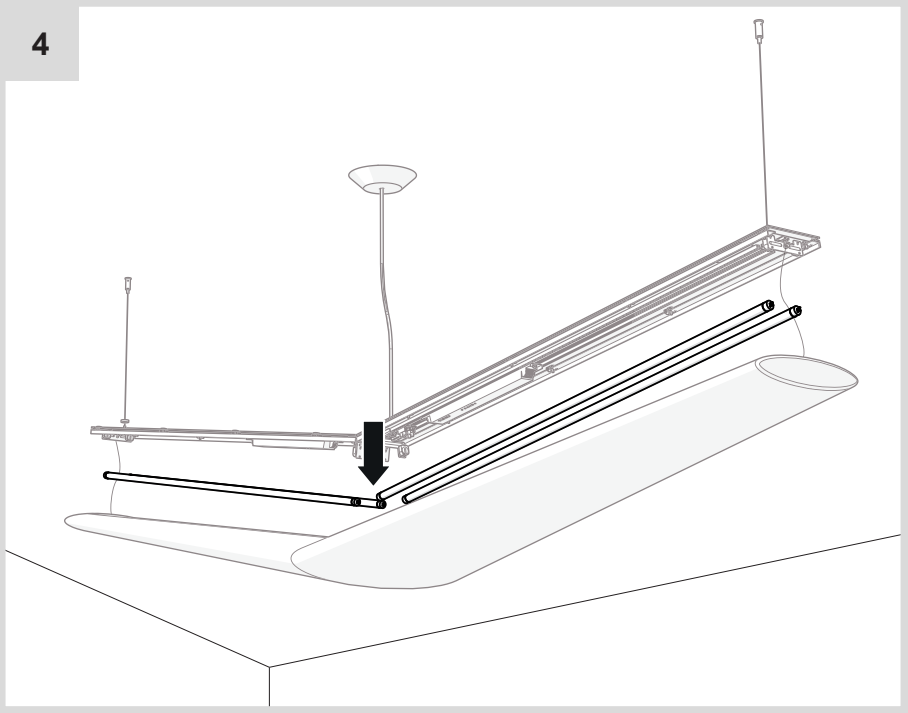


17

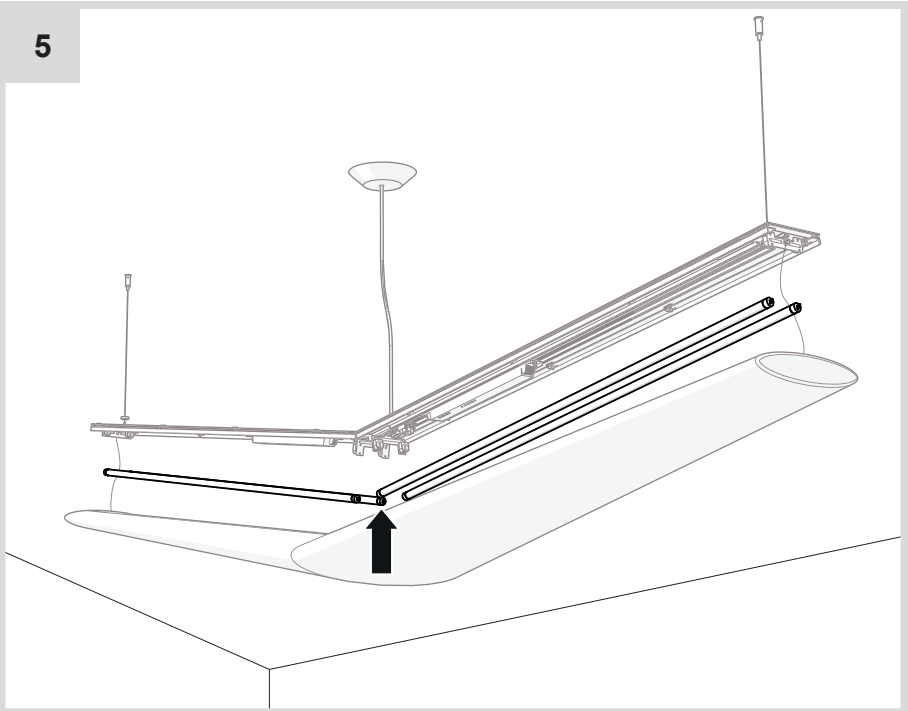


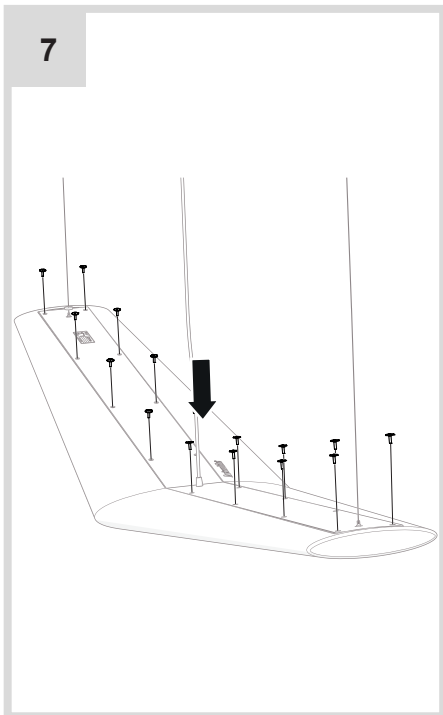
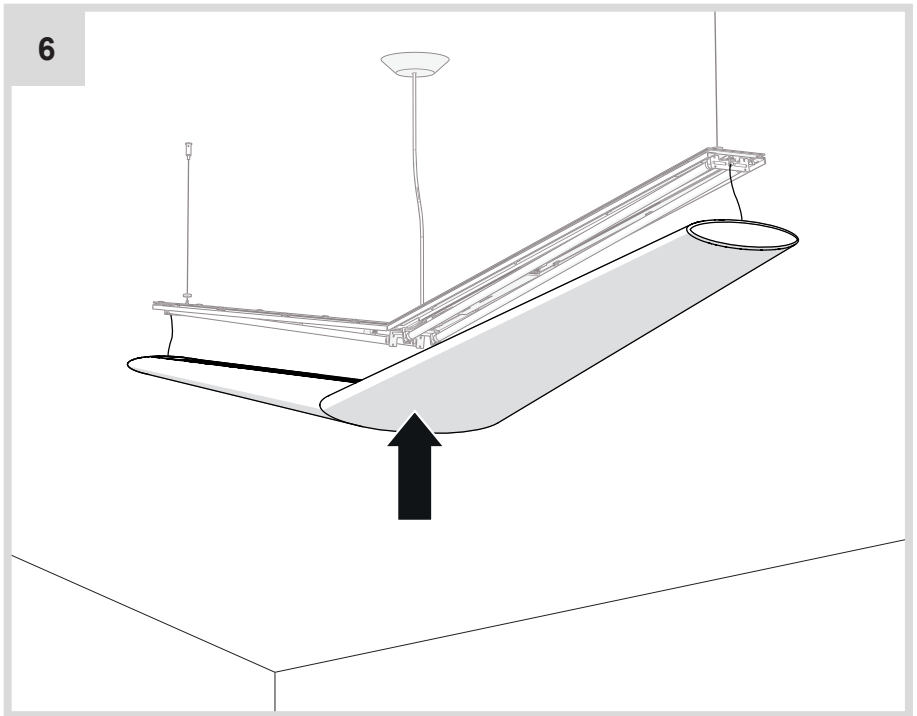


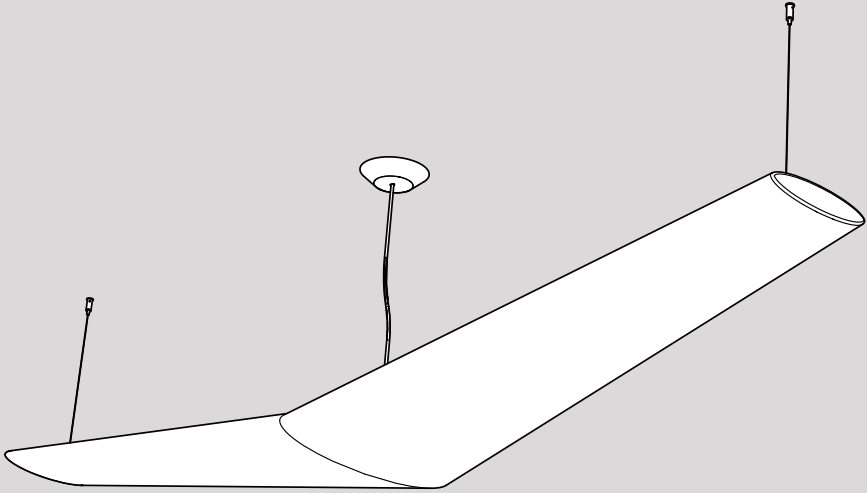
4



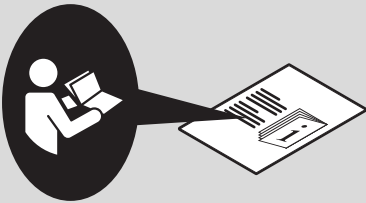
5



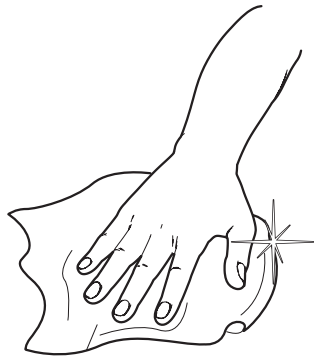




i



1



Artemide®



Artemide

via Bergamo, 18
20010 Pregnana M.se (MI)
ITALIA

tel. +39 02 935 181
fax +39 02 935 90 254
fax +39 02 935 90 496

www.artemide.com

VAT IT00846890150

cod. Y513000213