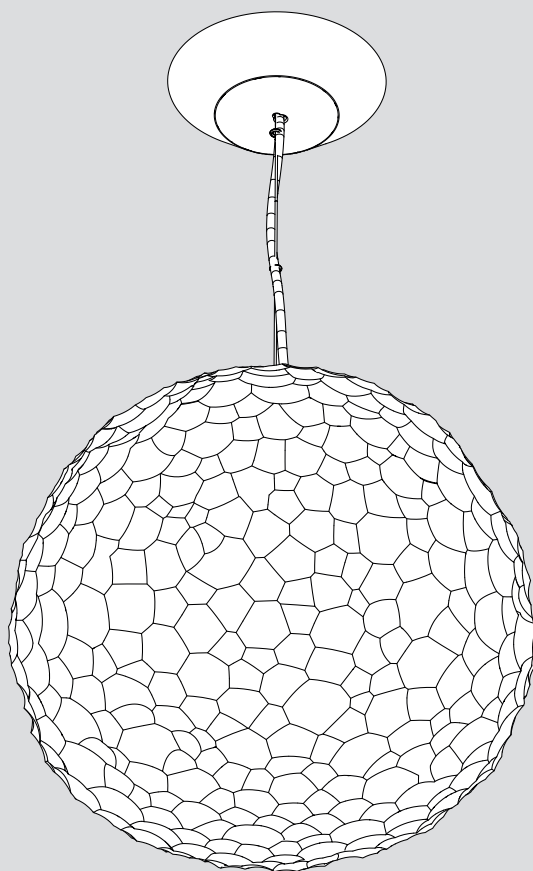


Artemide®

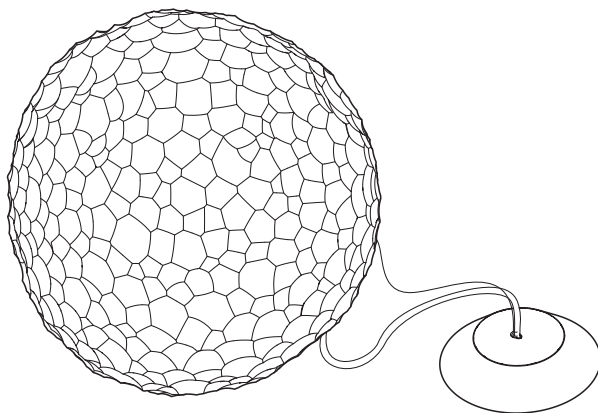
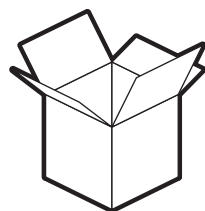
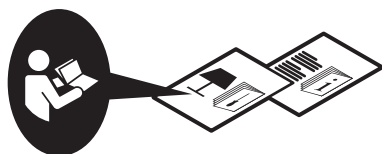
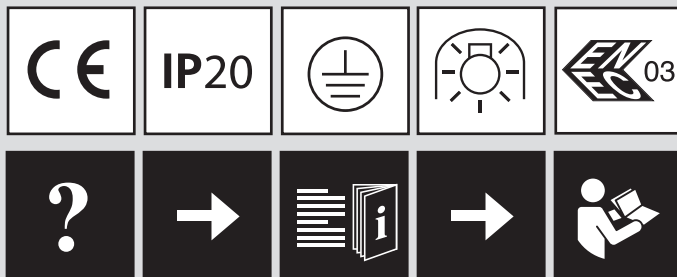
Meteorite

design
Pio & Tito Toso

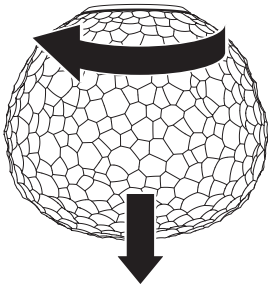




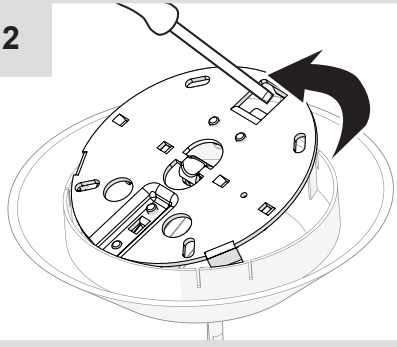
i



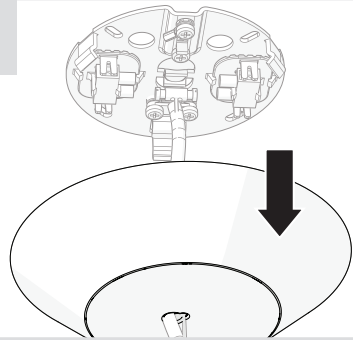
1



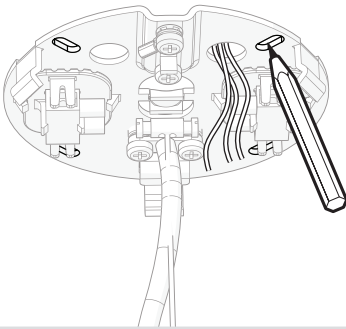
2



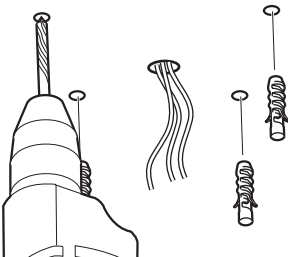
3



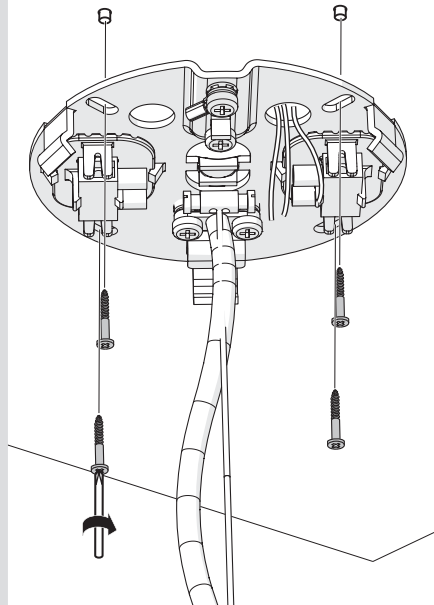
4

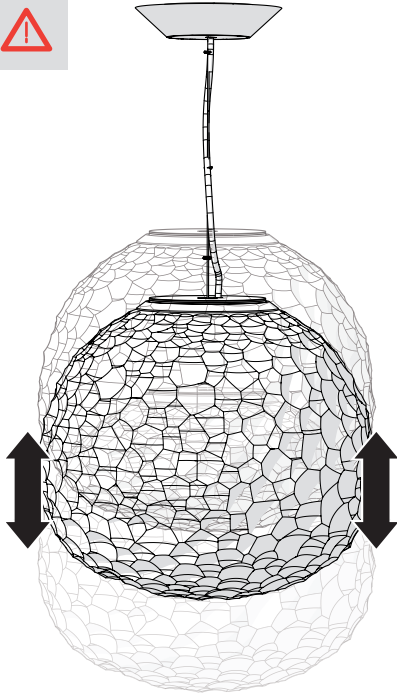


5

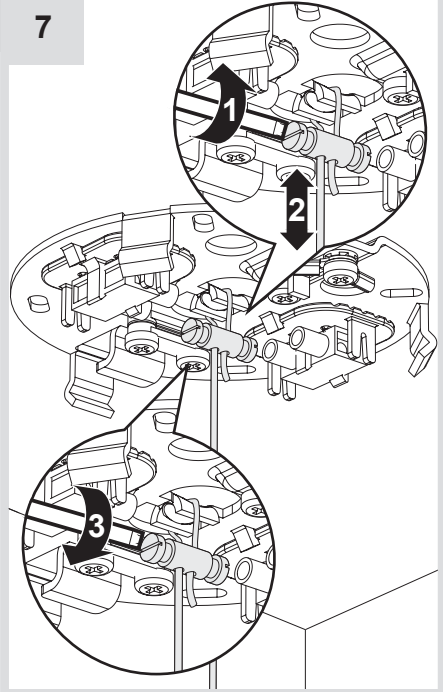


6

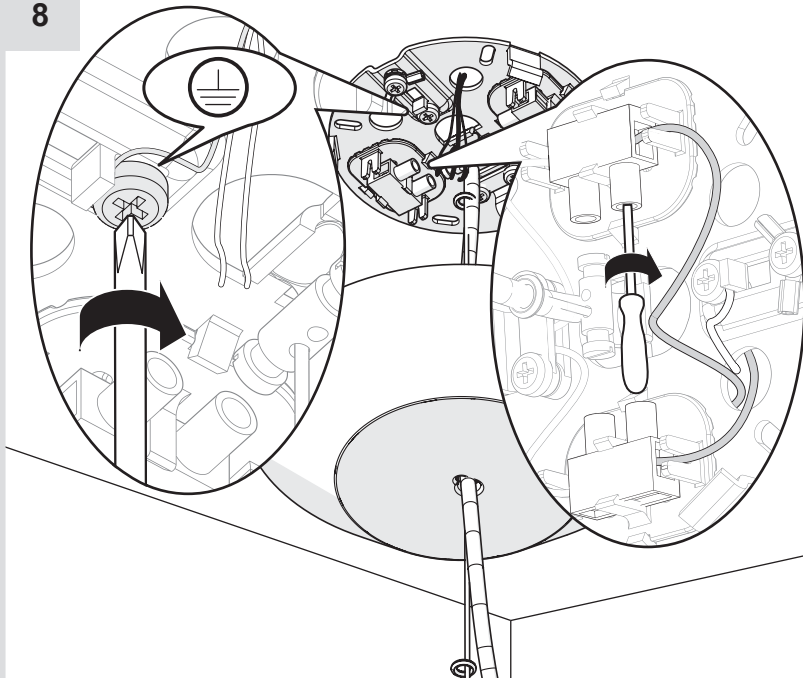




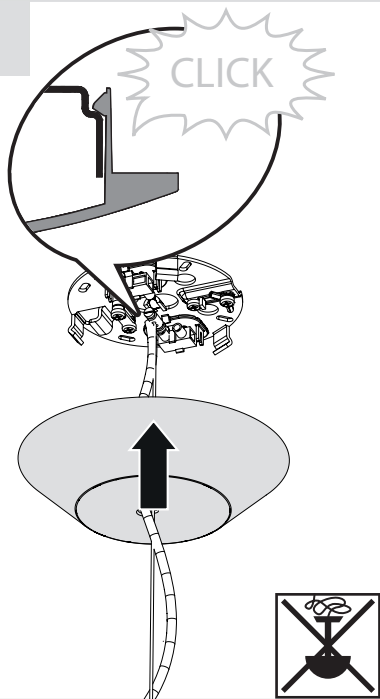
7



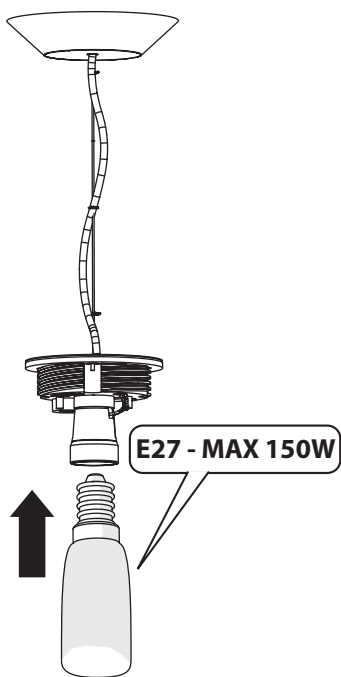
8



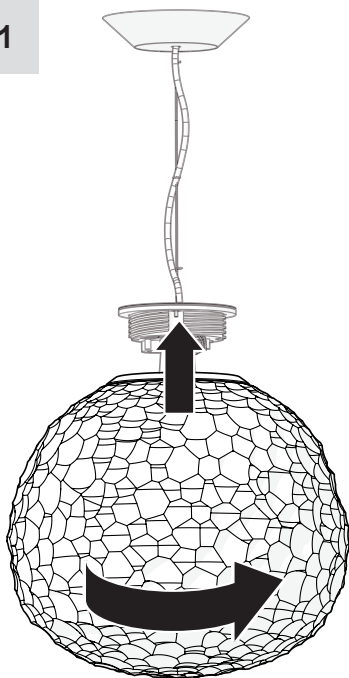
9



10

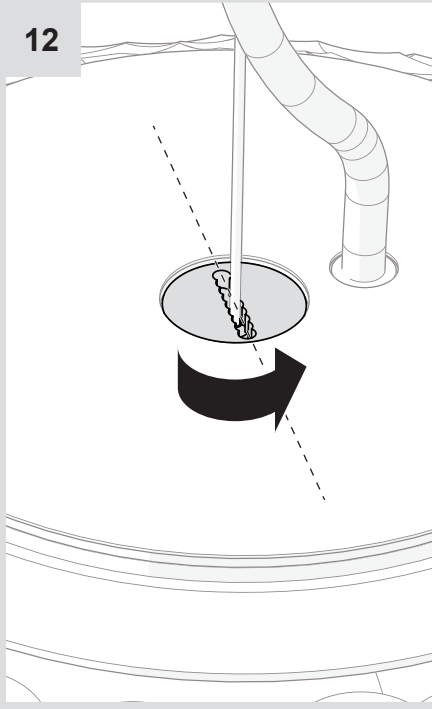


11

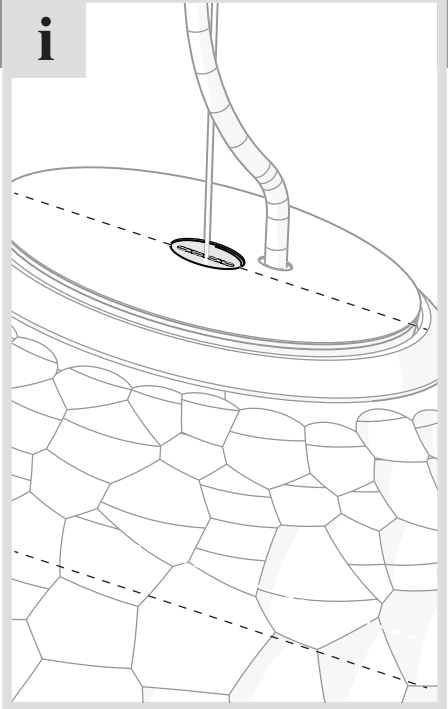




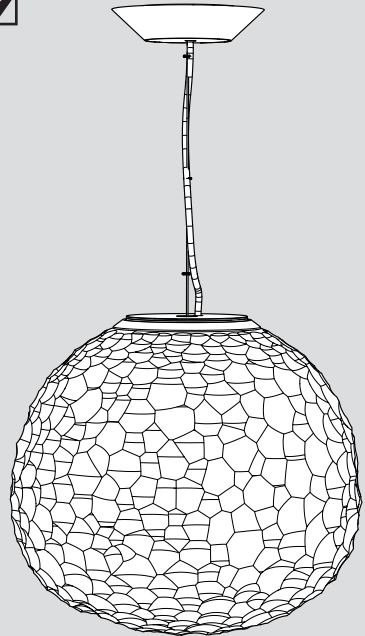
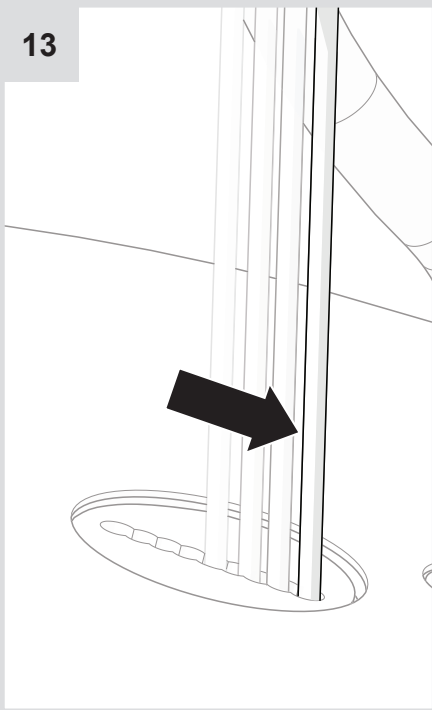
12



i



13

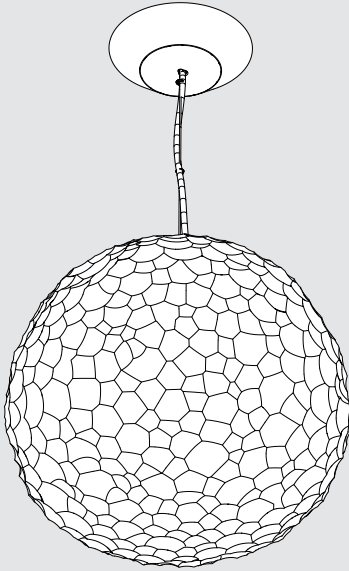


i



1 → 10 → 11

11



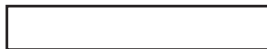
MAX 150W - E27

Halo: HSGST - 2900 lm

LED: DRAA - 2500 lm



Artemide®



Artemide

via Bergamo, 18
20010 Pregnana M.se (MI)
ITALIA

tel. +39 02 935 181
fax +39 02 935 90 254
fax +39 02 935 90 496

www.artemide.com

VAT IT00846890150

cod. Y513000578