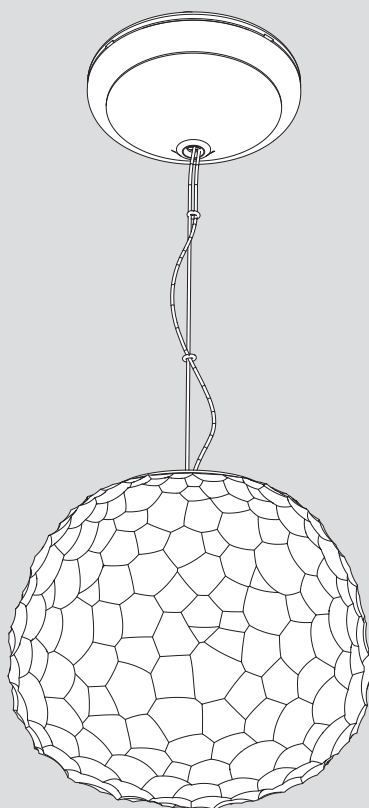


Artemide®

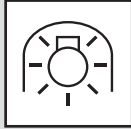
Meteorite 15

design
Pio & Tito Toso





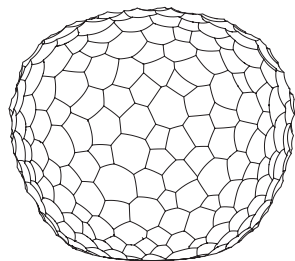
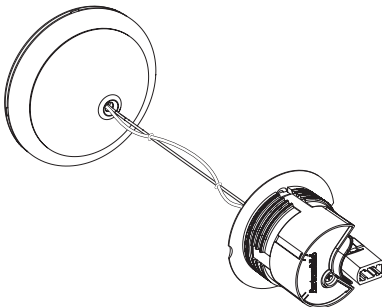
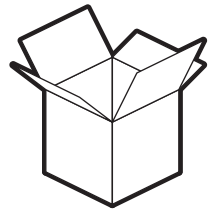
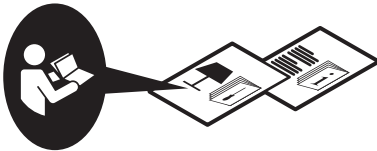
i



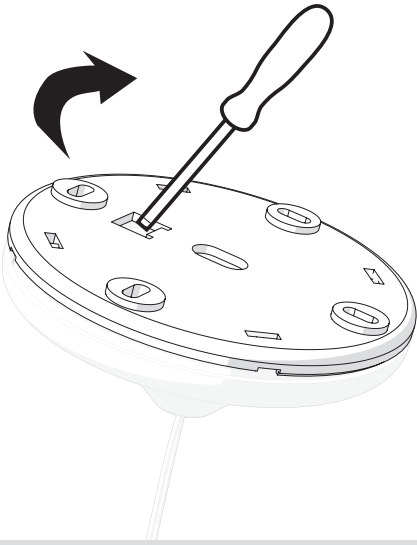
IP20



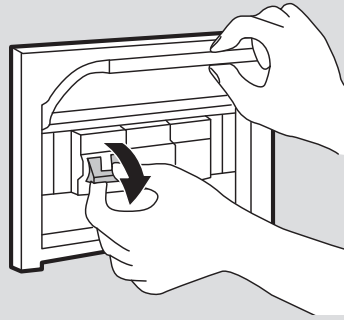
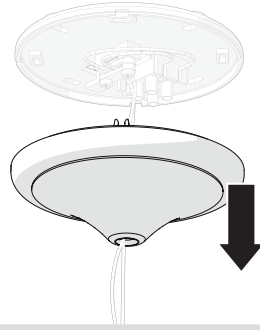
CE



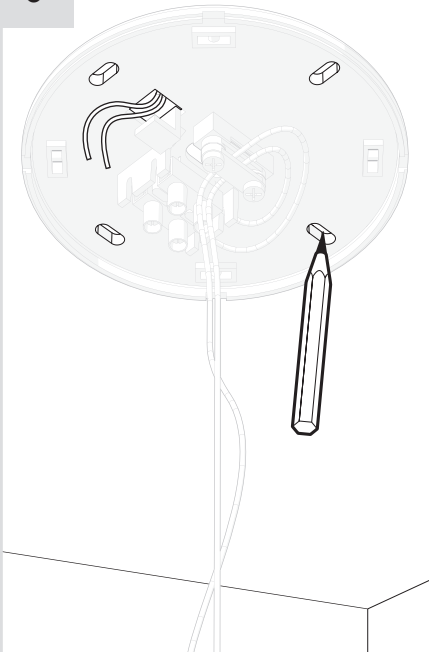
1



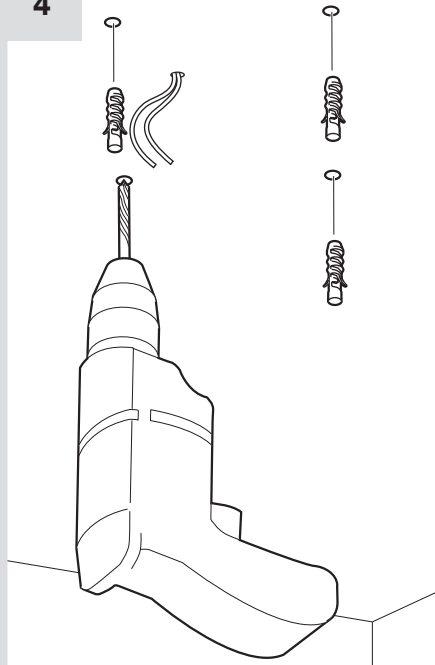
2

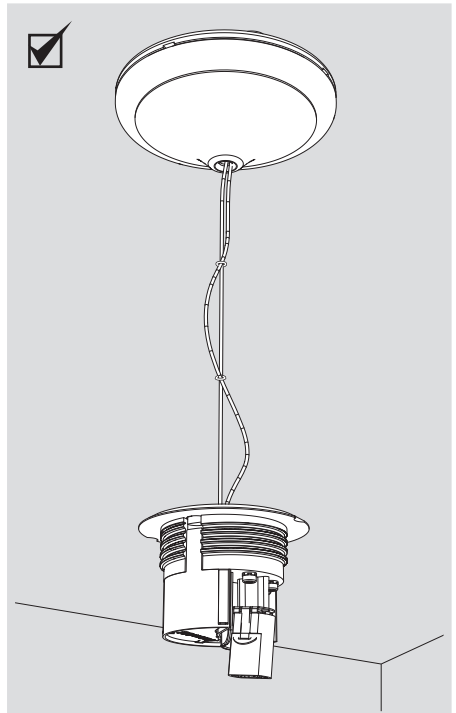
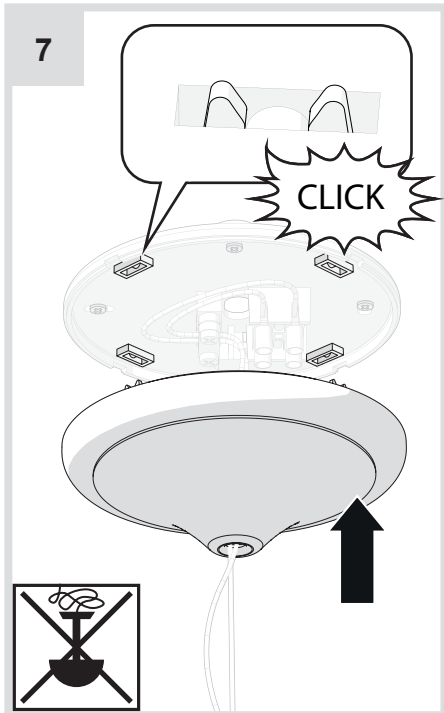
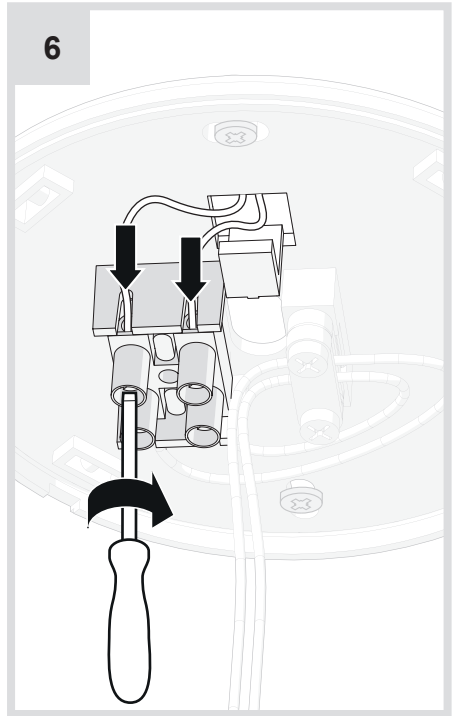
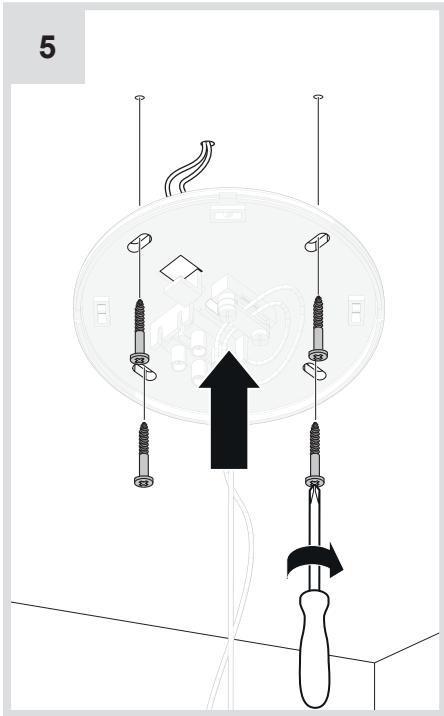


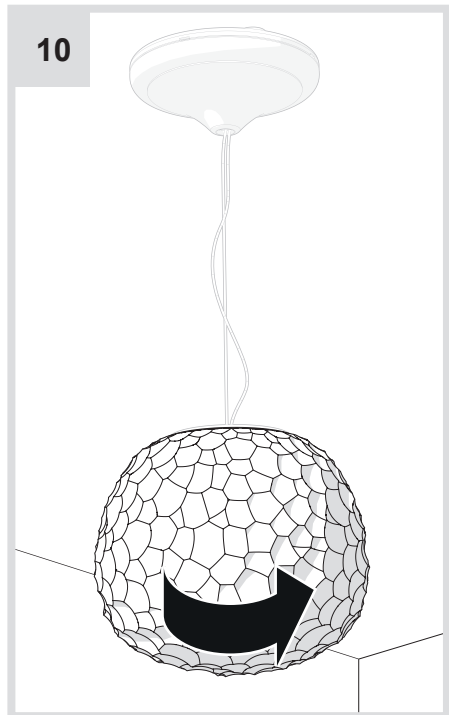
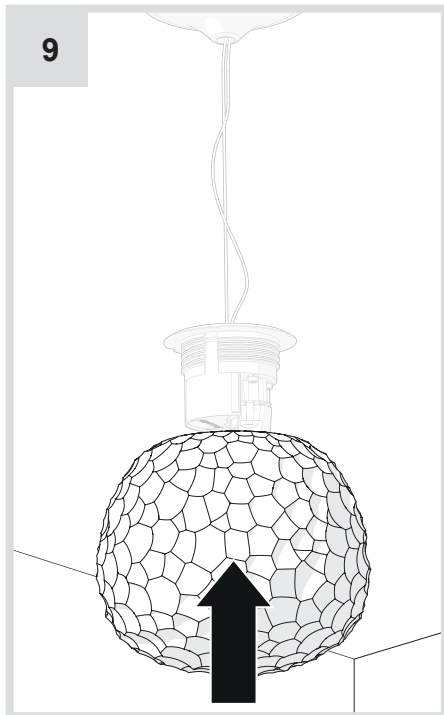
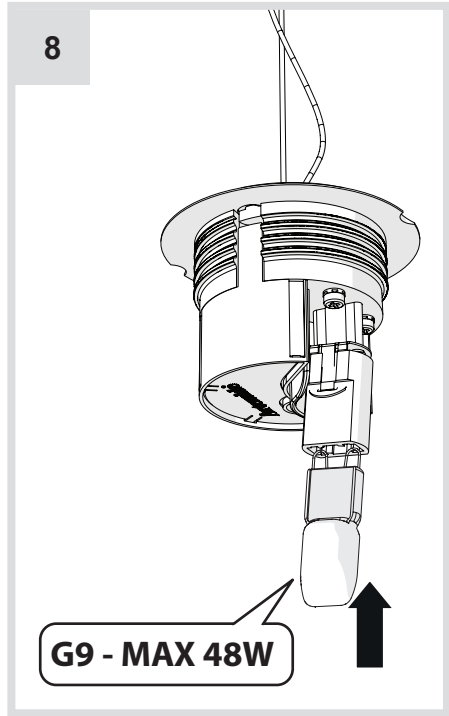
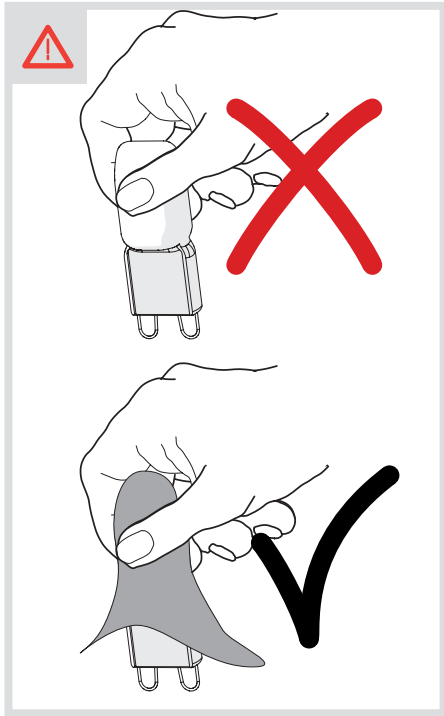
3



4

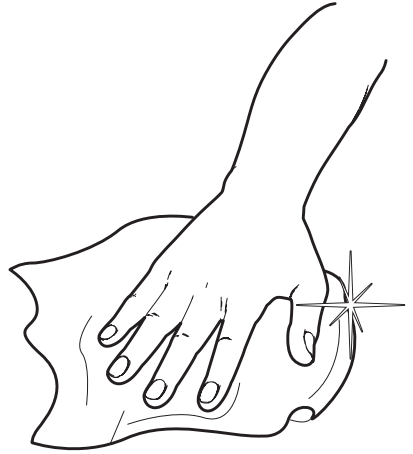
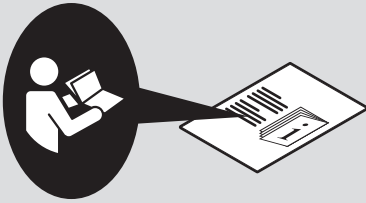
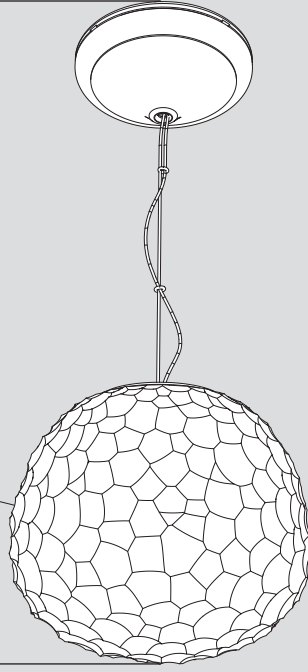




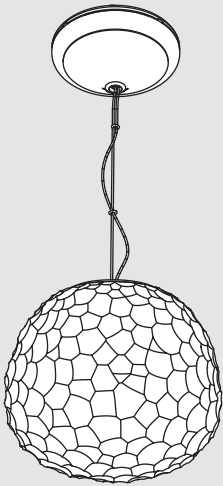




max 1800 mm



i



MAX 48W - G9

Halo: HSGST - 750 lm

LED: DRT - 300 lm

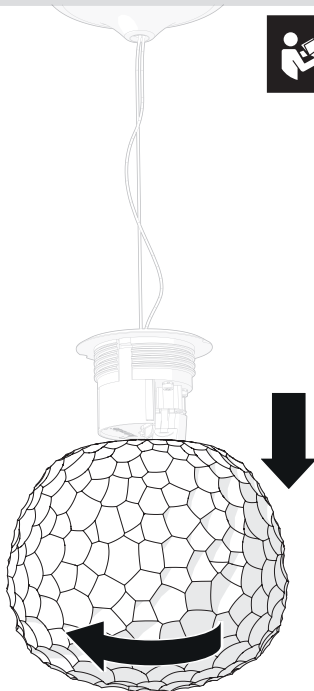
1



8

9

10



Artemide®



Artemide

via Bergamo, 18
20010 Pregnana M.se (MI)
ITALIA

tel. +39 02 935 181
fax +39 02 935 90 254
fax +39 02 935 90 496

www.artemide.com

VAT IT00846890150

cod. Y513000577