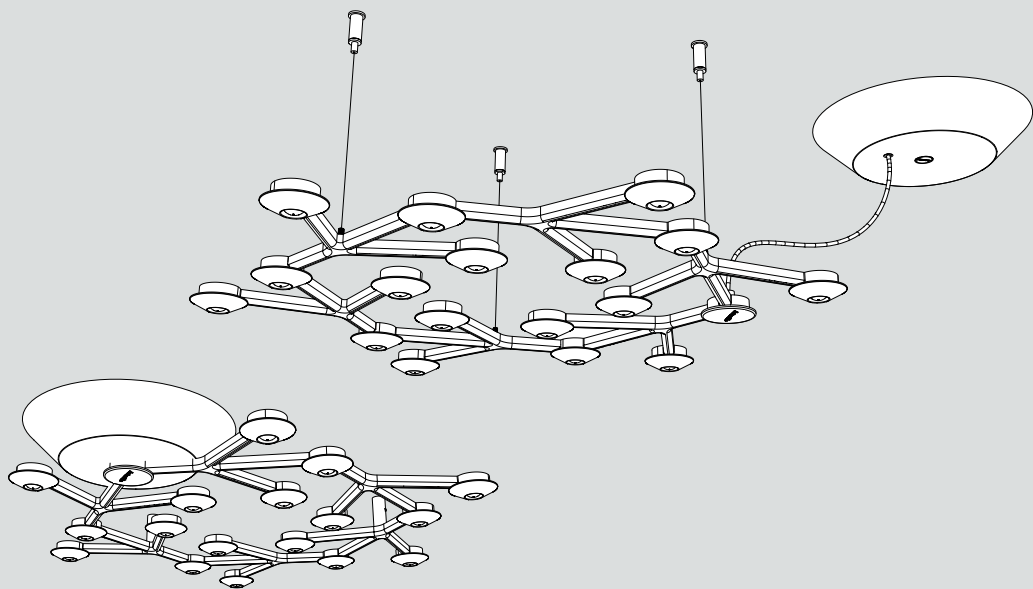


# Artemide®

## Led net Circolare

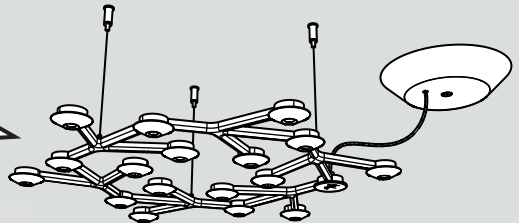
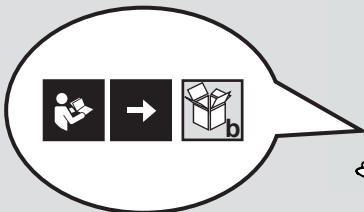
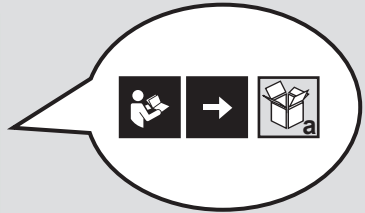
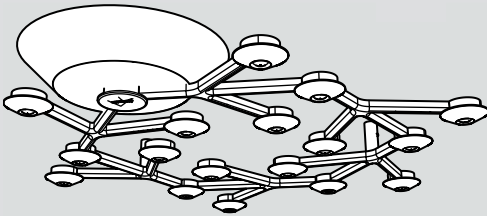
design  
M. De Lucchi

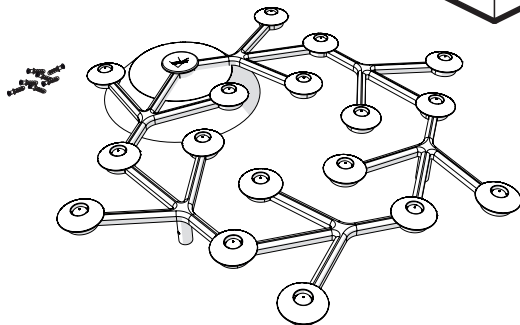
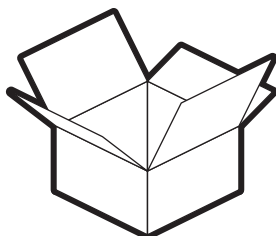
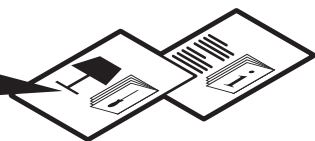




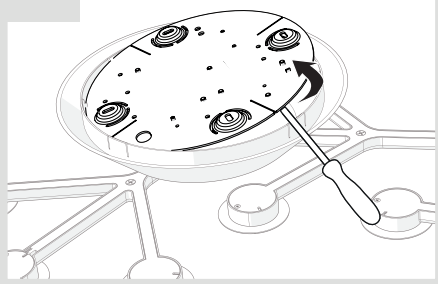
i

IP20				
				<b>LED 0</b>
<b>?</b>	<b>→</b>		<b>→</b>	

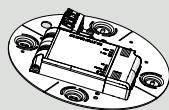
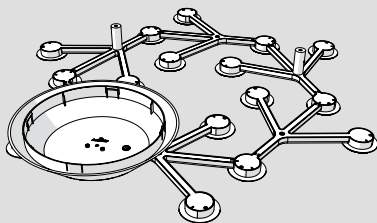
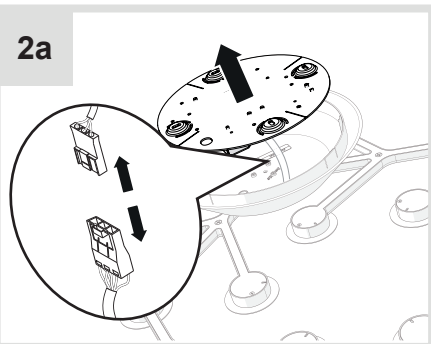




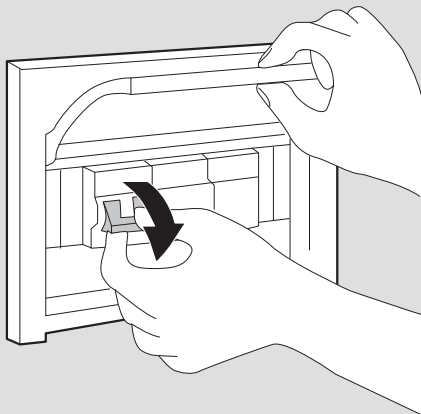
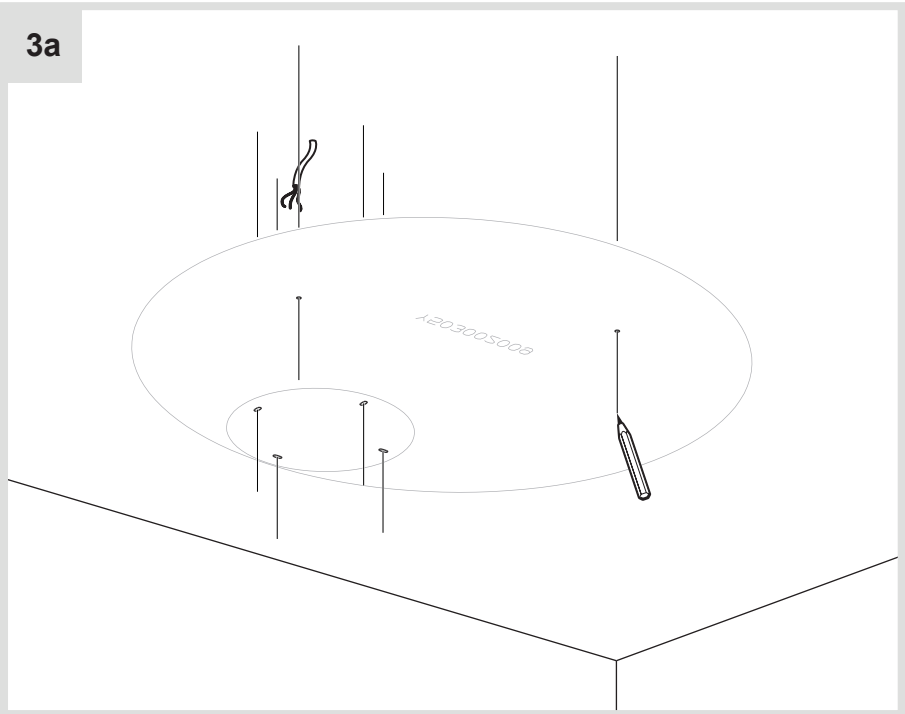
1a



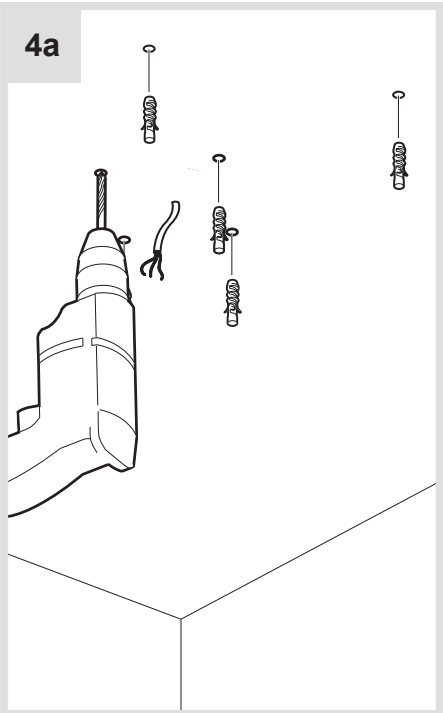
2a



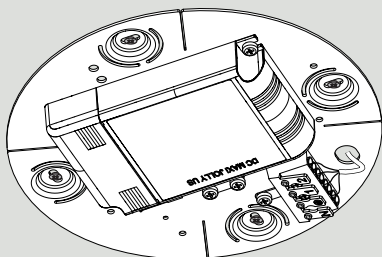
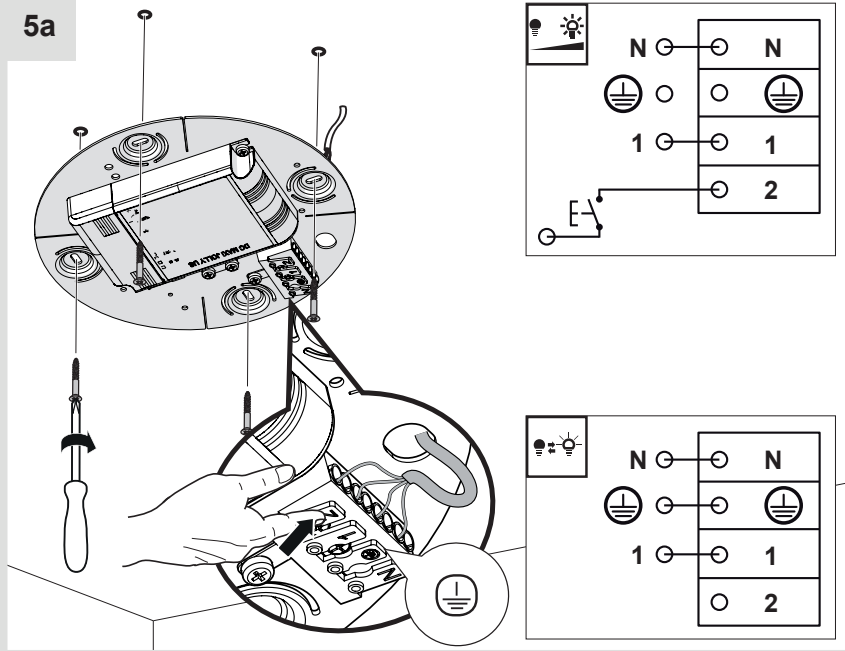
3a



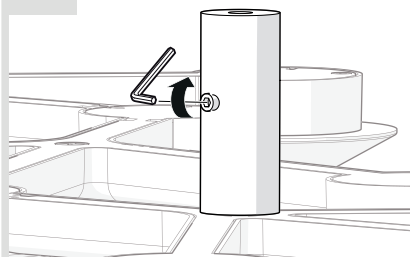
4a



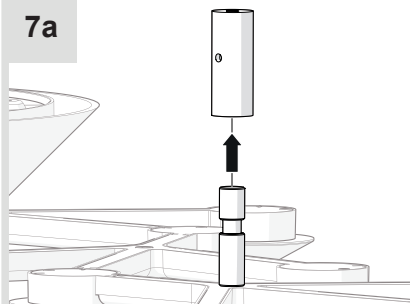
5a



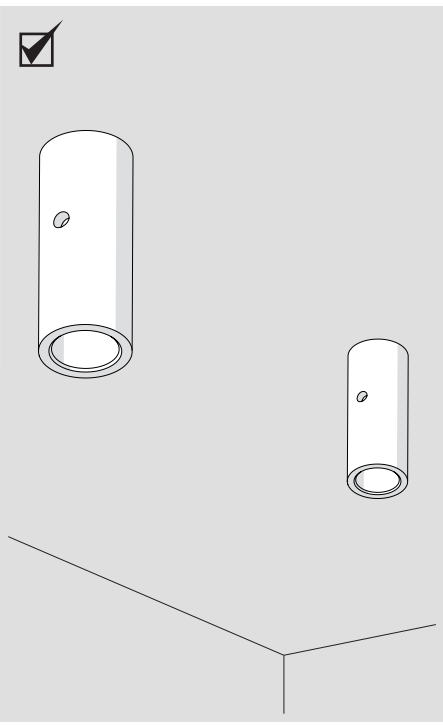
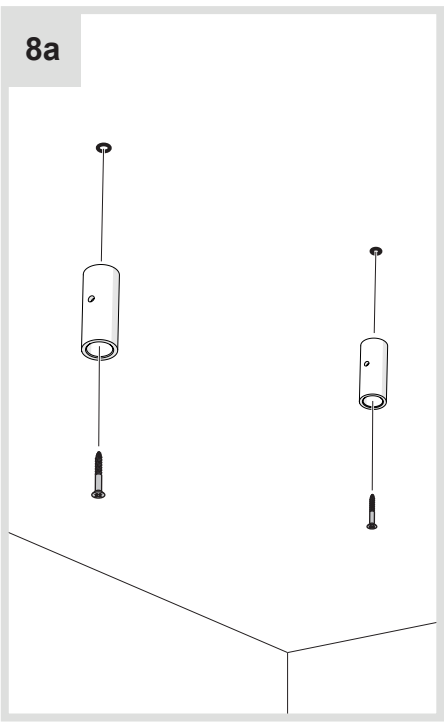
6a



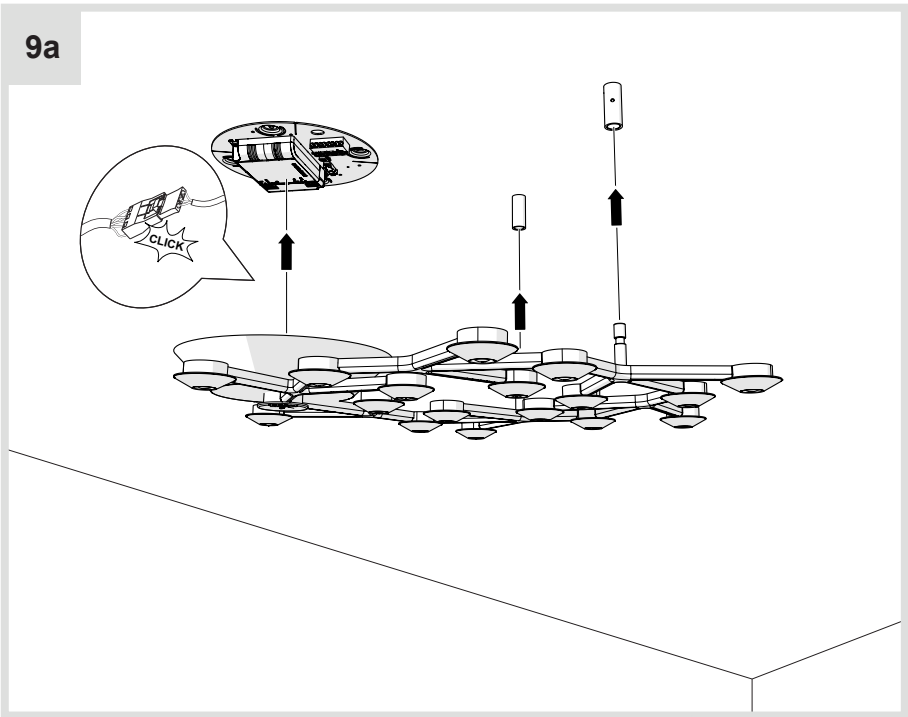
7a



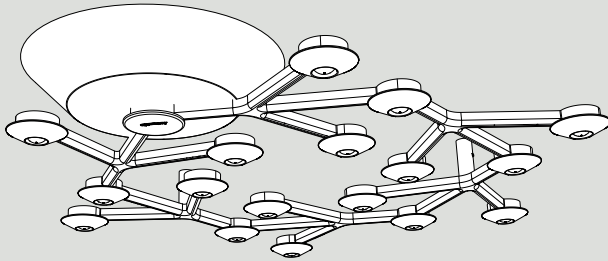
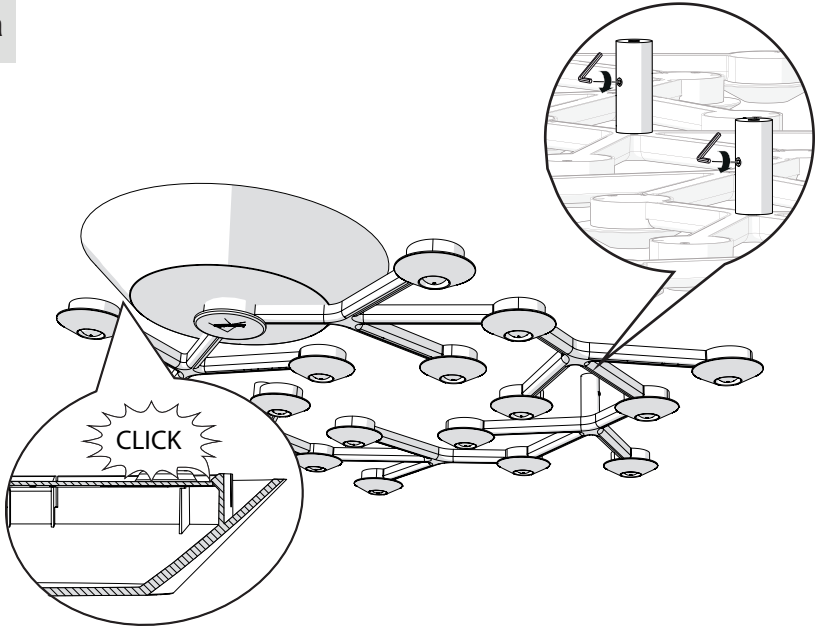
8a

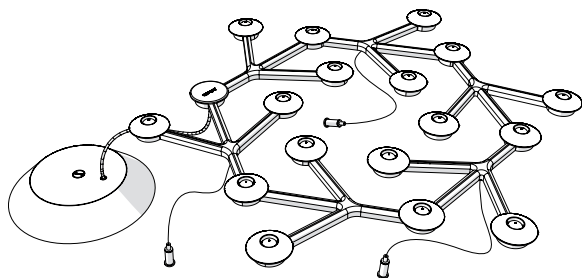
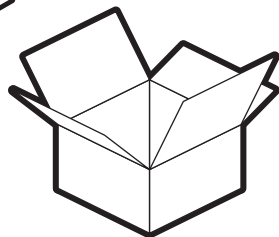
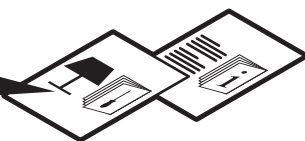


9a



10a

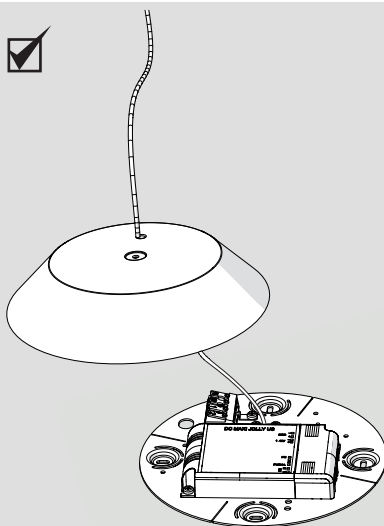
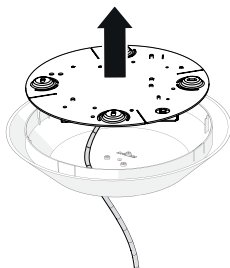




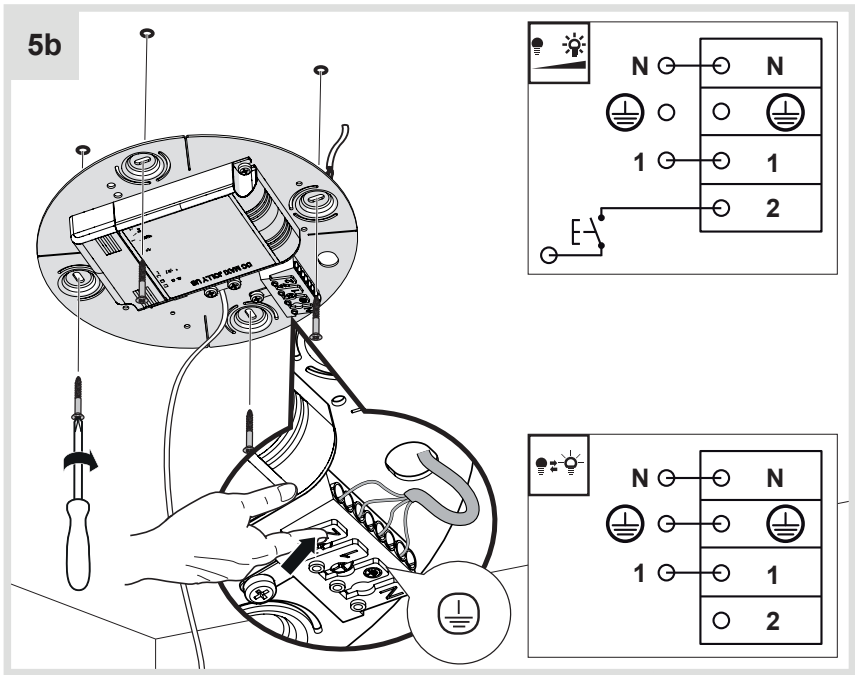
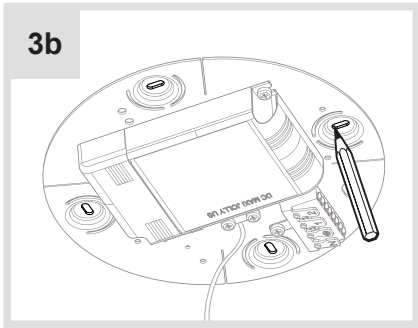
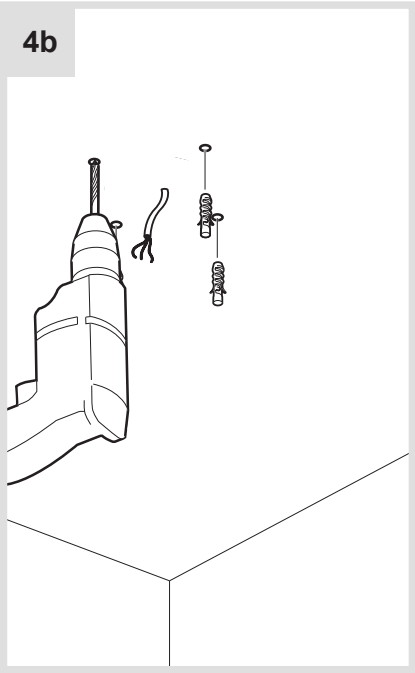
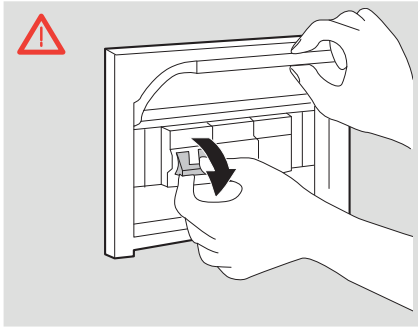
1b

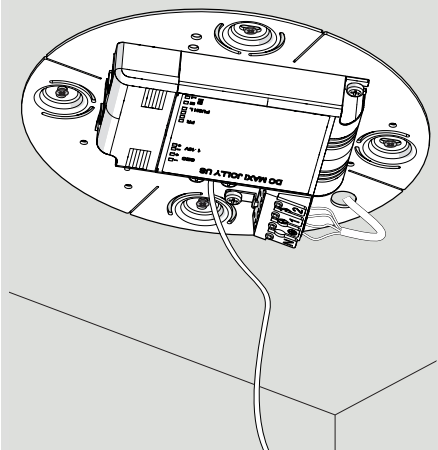


2b

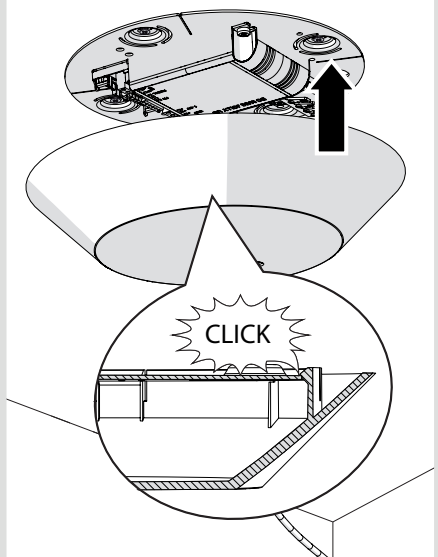




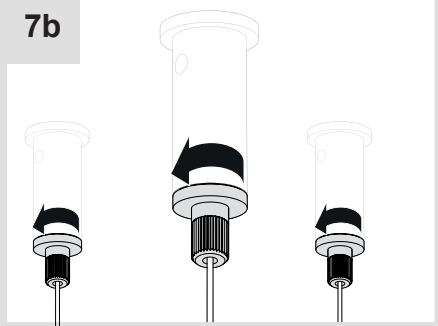




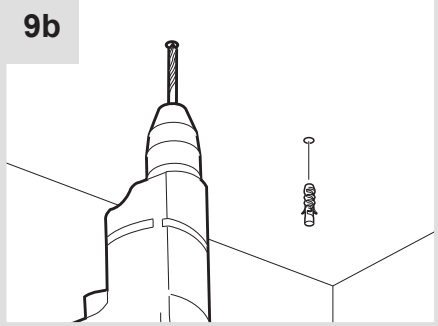
6b



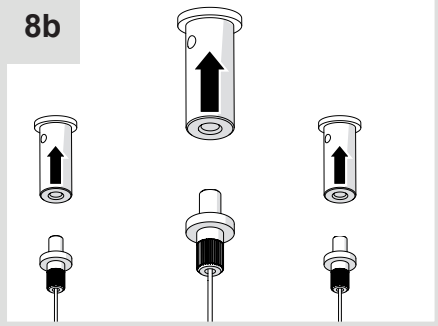
7b



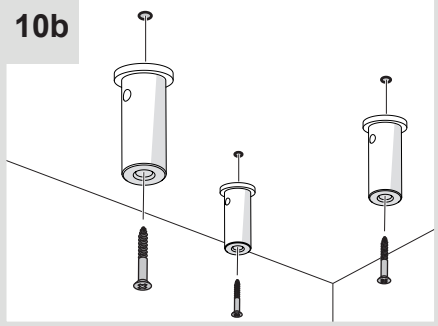
9b

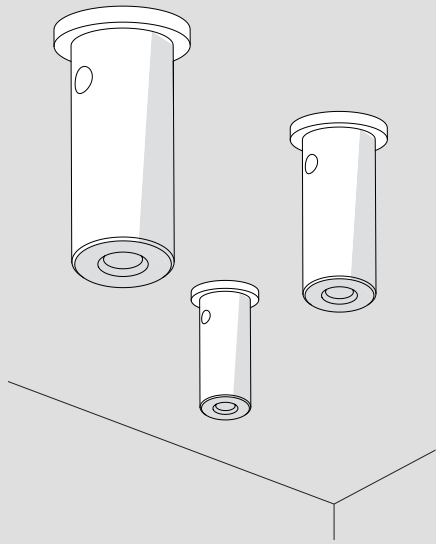


8b

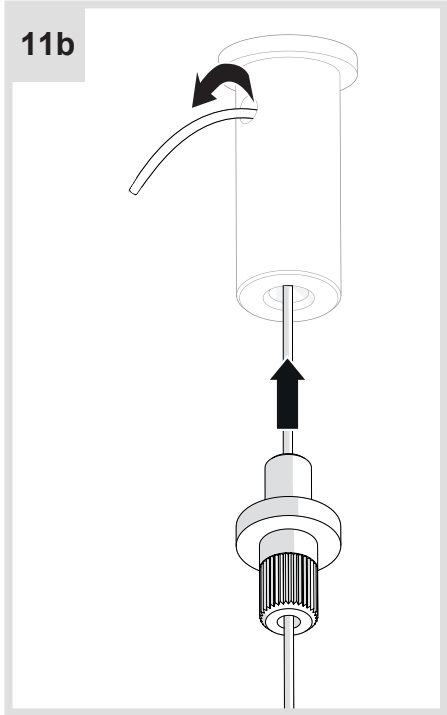


10b

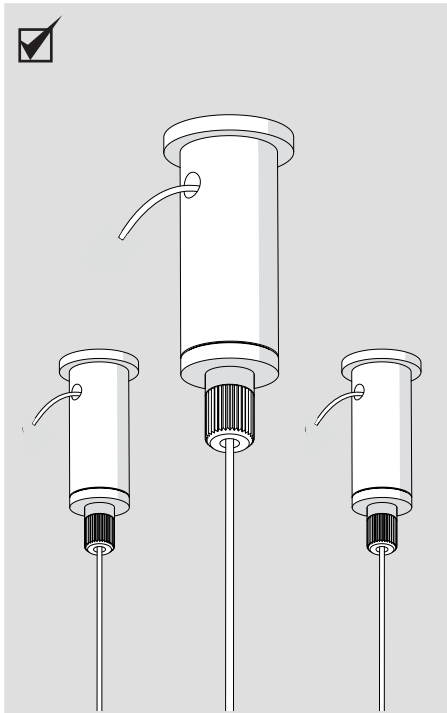
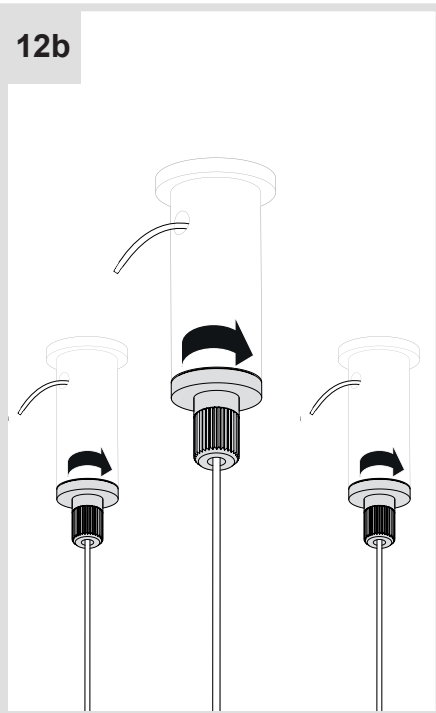


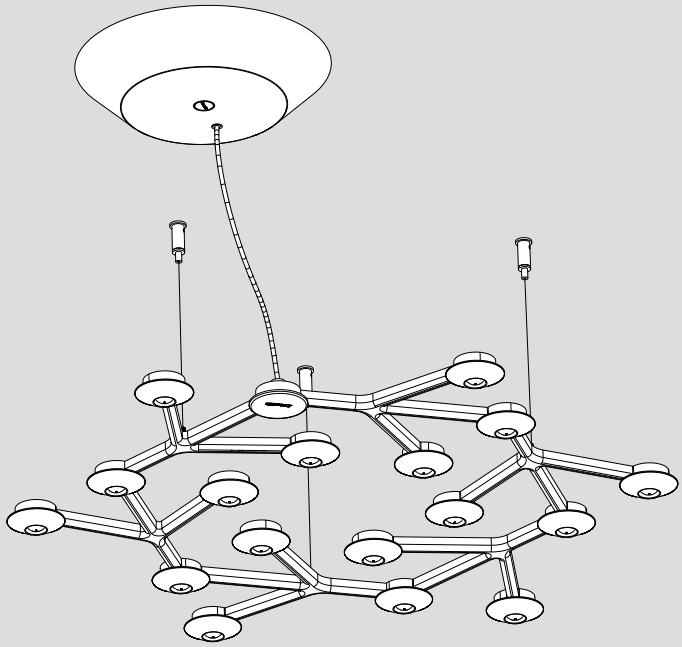


11b



12b











**Artemide®**



## **Artemide**

via Bergamo, 18  
20010 Pregnana M.se (MI)  
ITALIA

tel. +39 02 935 181  
fax +39 02 935 90 254  
fax +39 02 935 90 496

[www.artemide.com](http://www.artemide.com)

VAT IT00846890150

cod. Y513000205