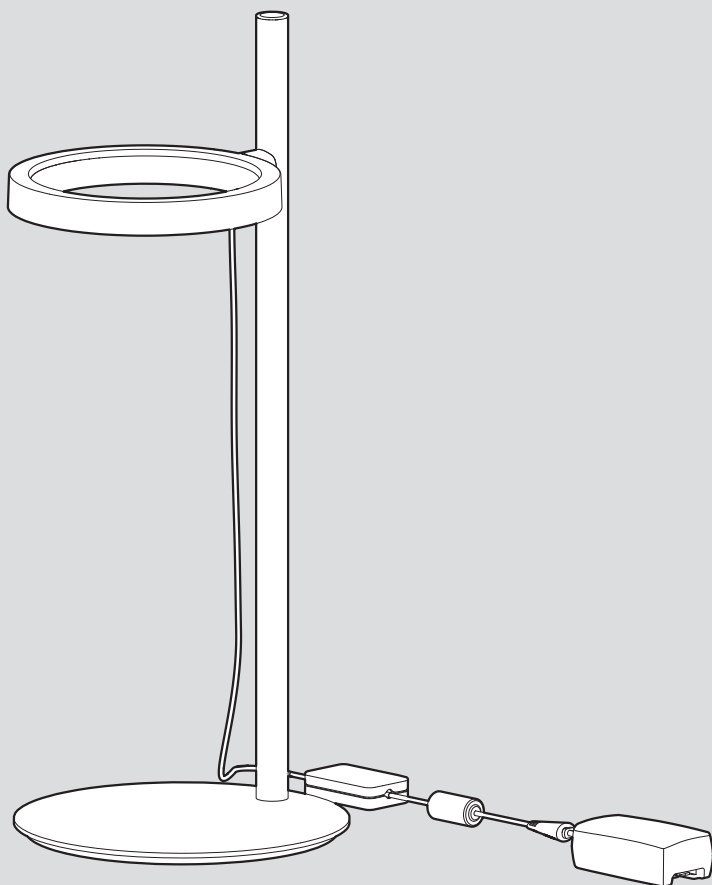


Artemide®

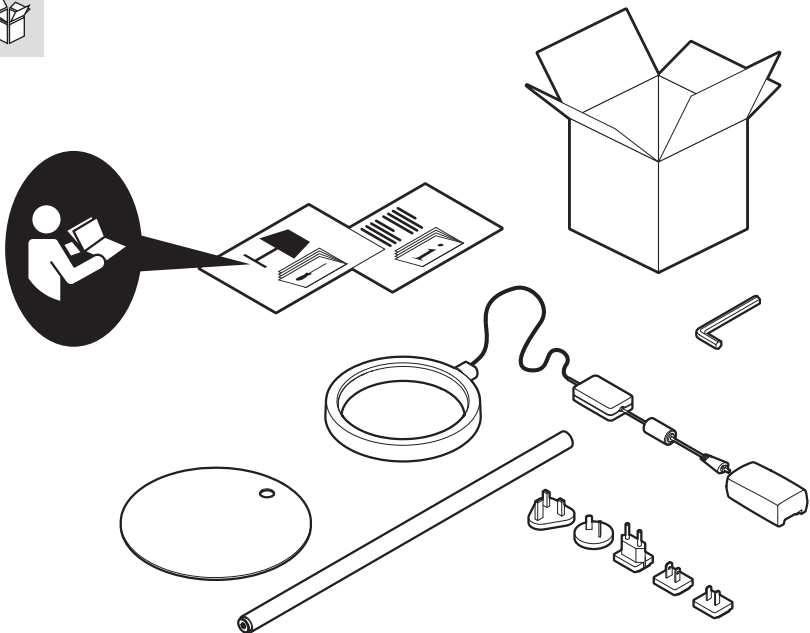
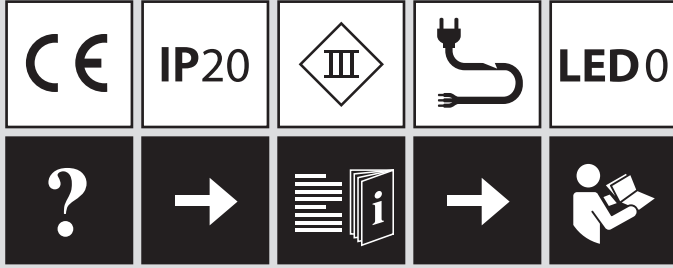
Ipparco

design
Neil Poulton

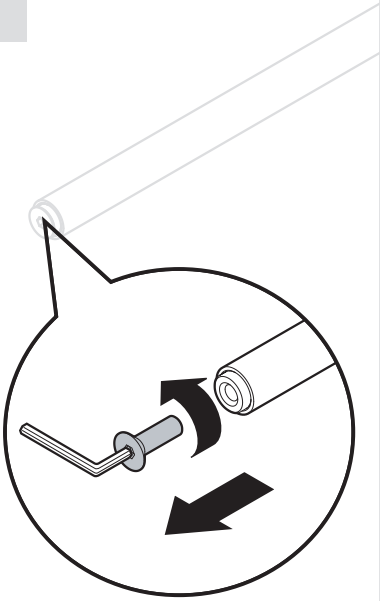




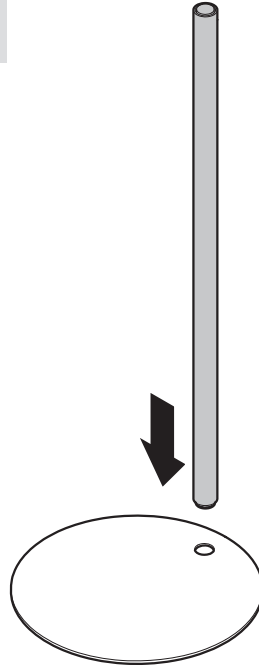
i



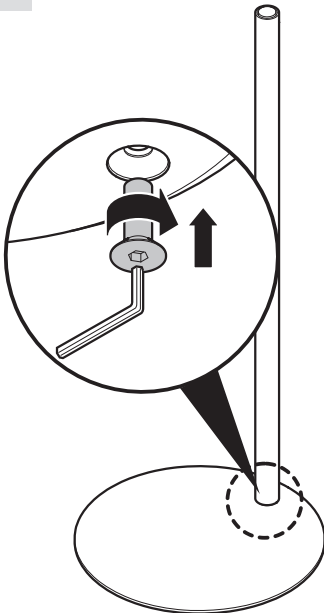
1



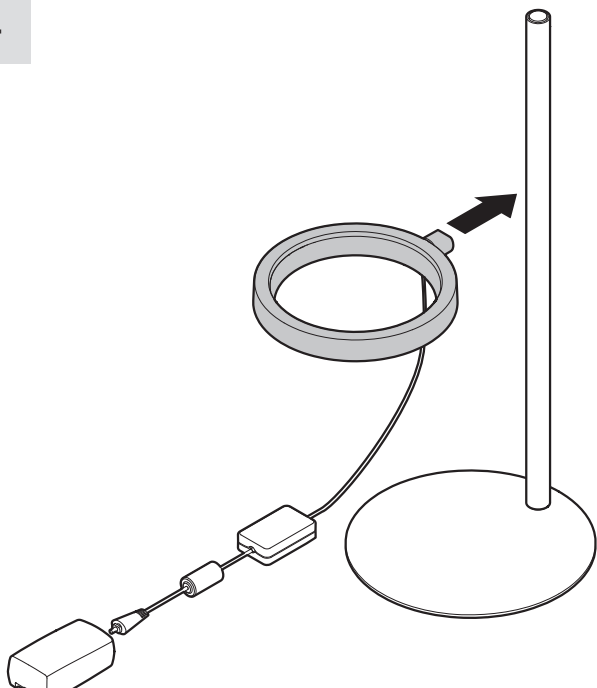
2



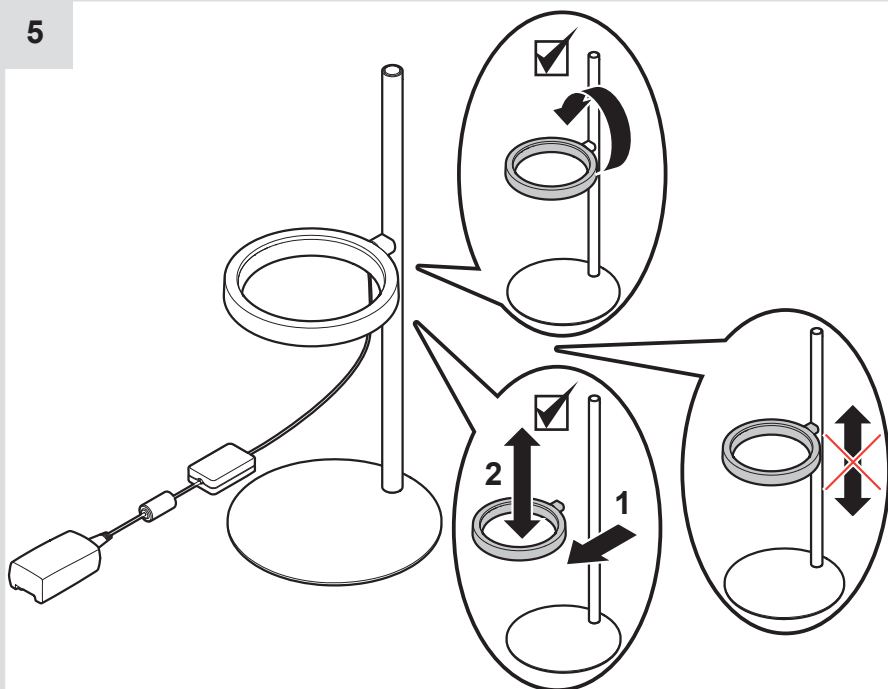
3

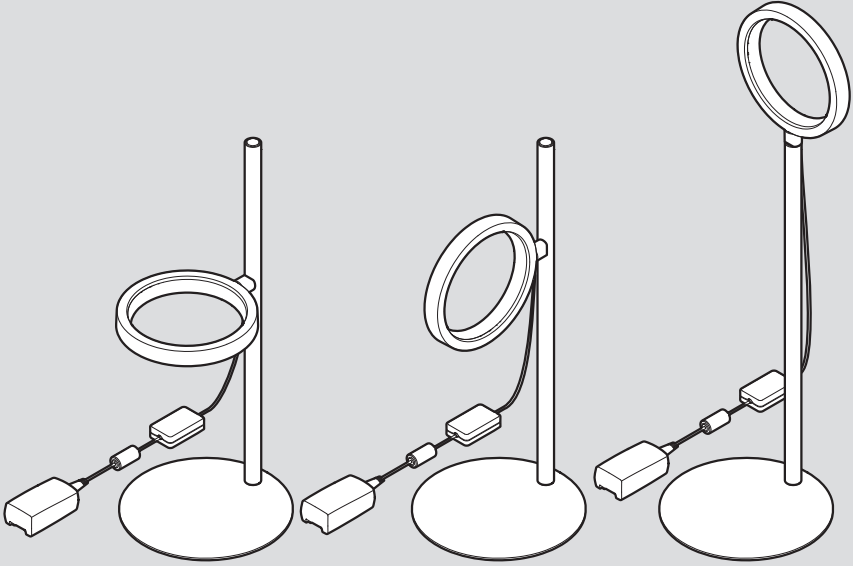


4



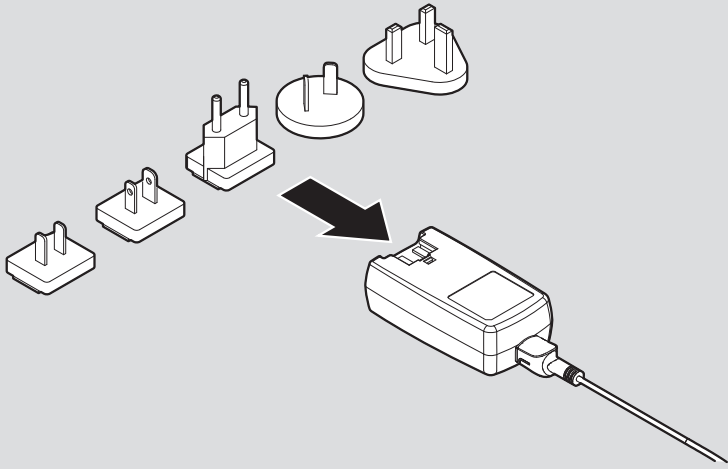
5



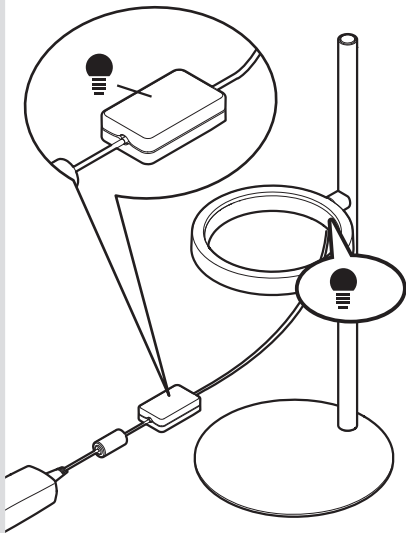




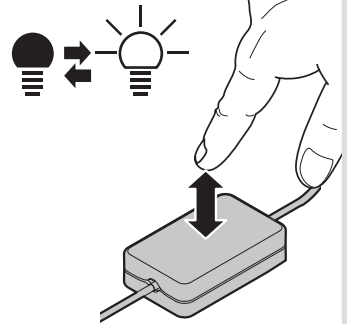
i



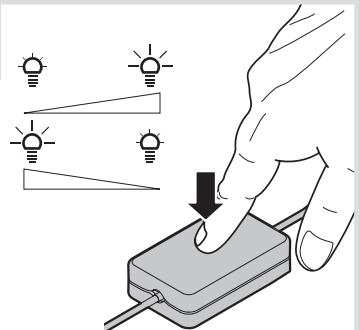
1



2



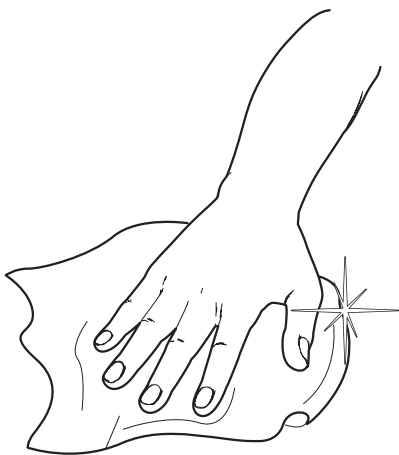
3



i



1



Artemide®



Artemide

via Bergamo, 18
20010 Pregnana M.se (MI)
ITALIA

tel. +39 02 935 181
fax +39 02 935 90 254
fax +39 02 935 90 496

www.artemide.com

VAT IT00846890150

cod. Y5130000105