

Artemide®

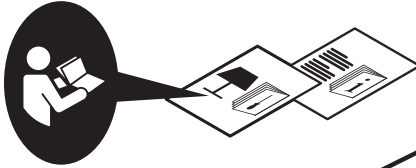
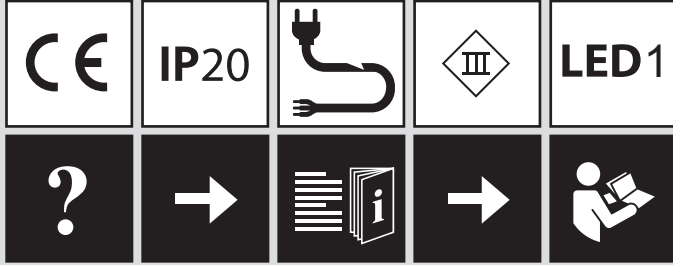
Flashit

design
M. Tassone

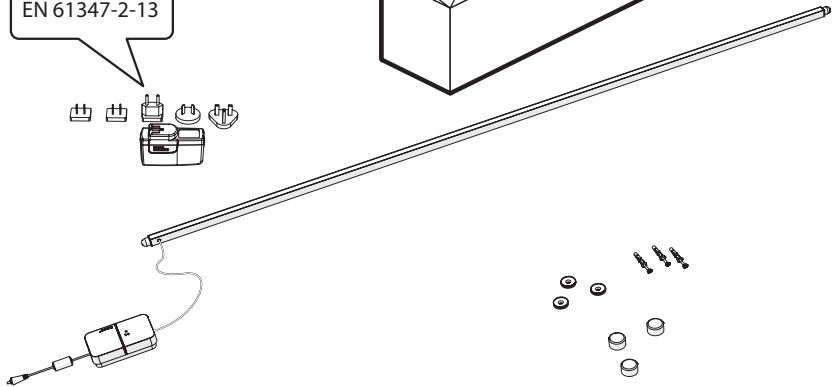
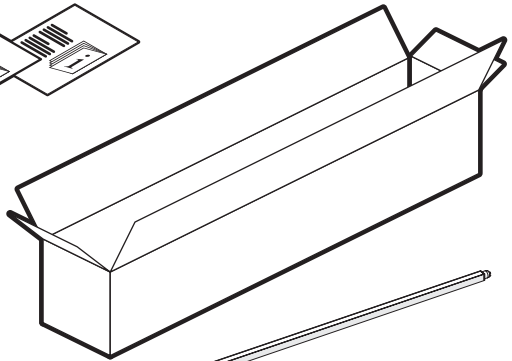
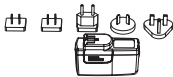




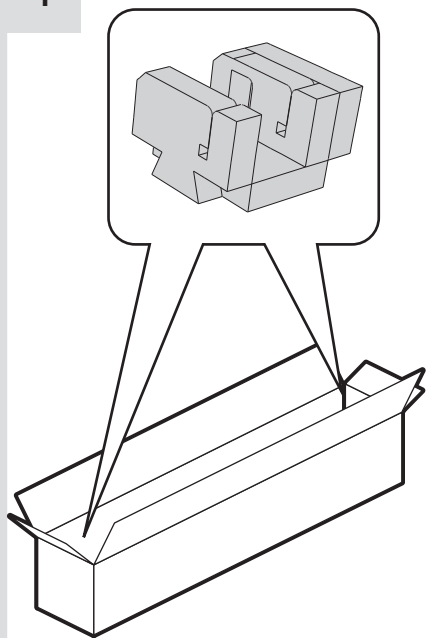
i



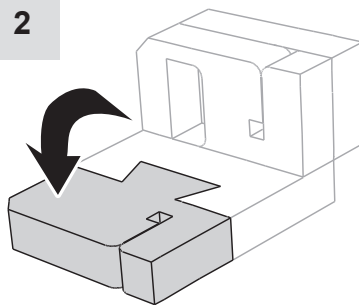
SELV
EN 61347-2-13



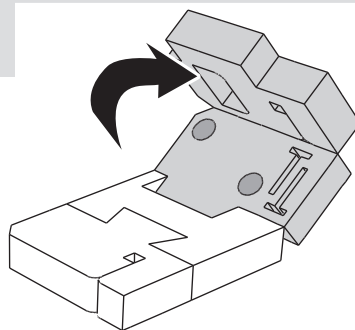
1



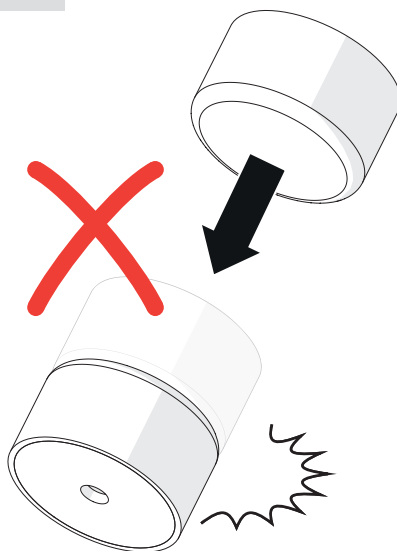
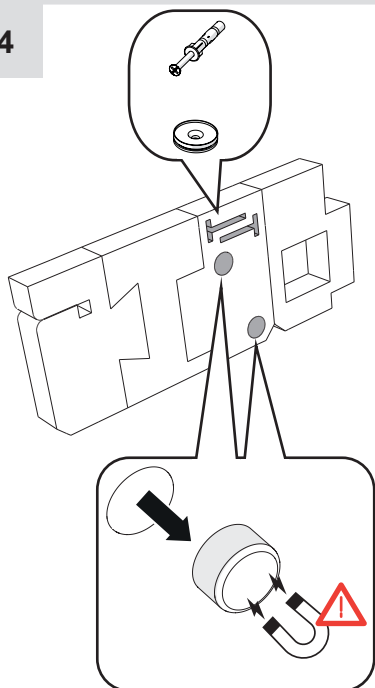
2

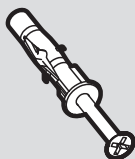
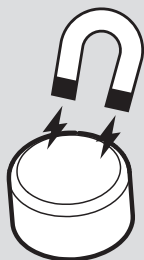


3

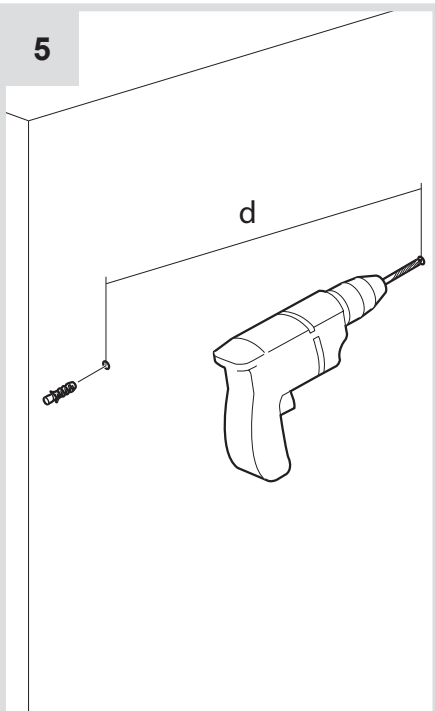


4

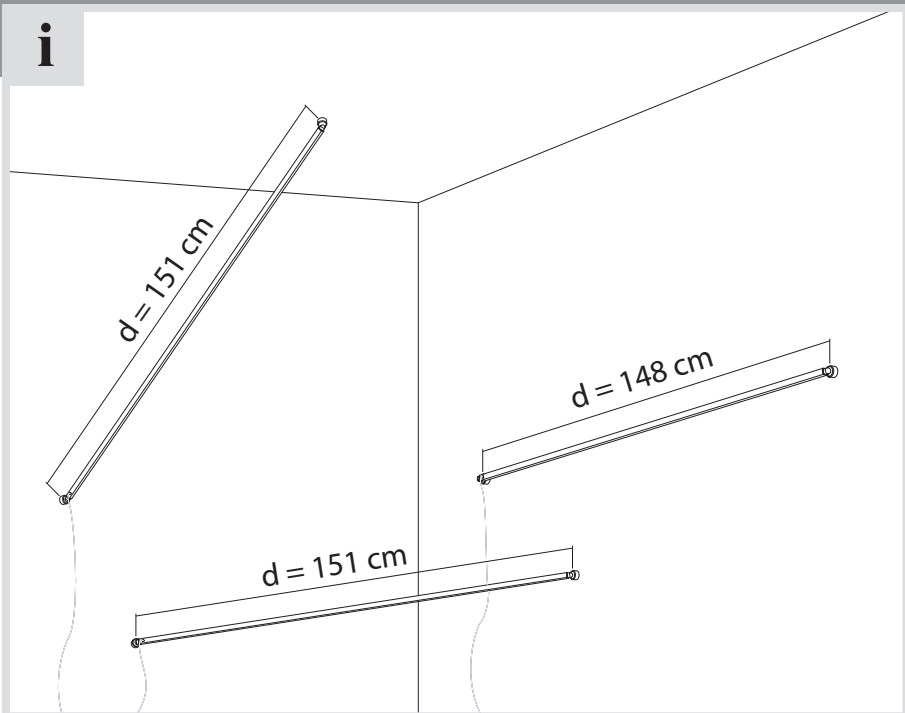




5

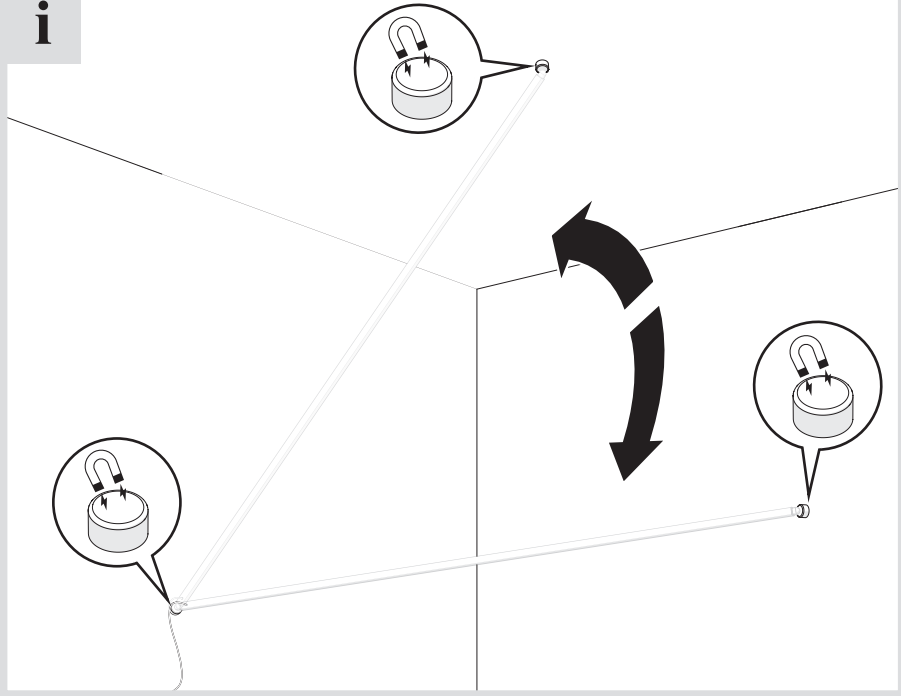


i

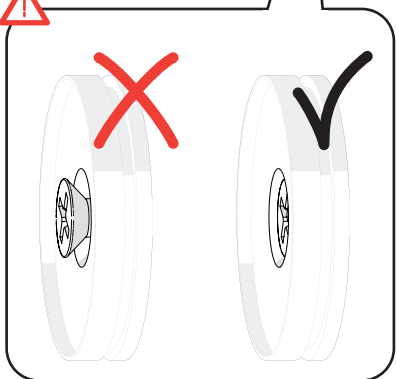
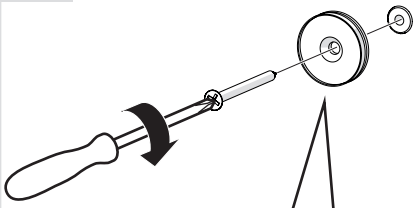




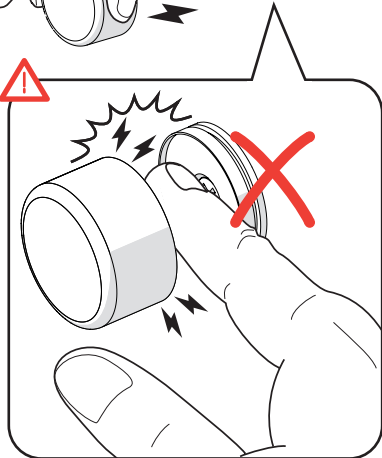
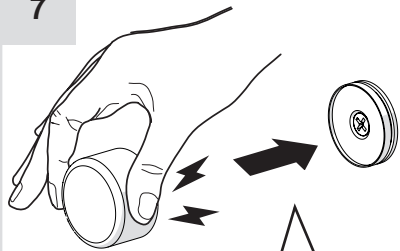
i



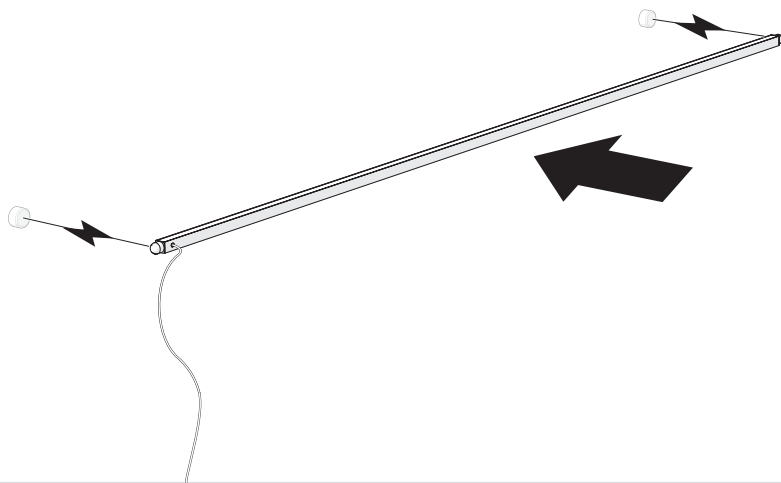
6



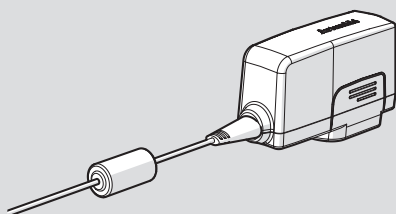
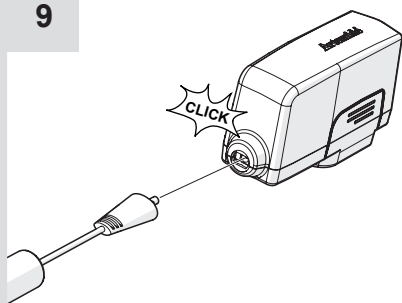
7



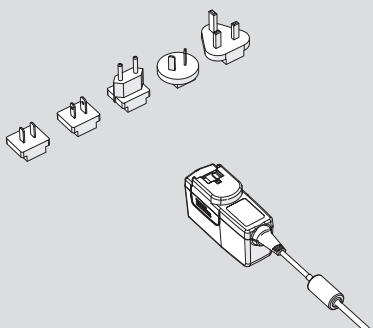
8



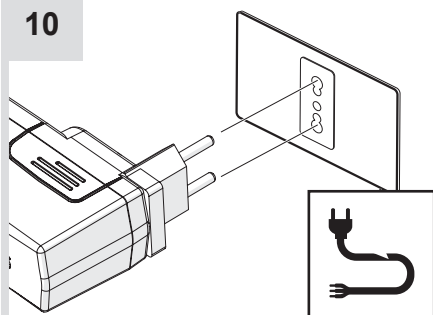
9

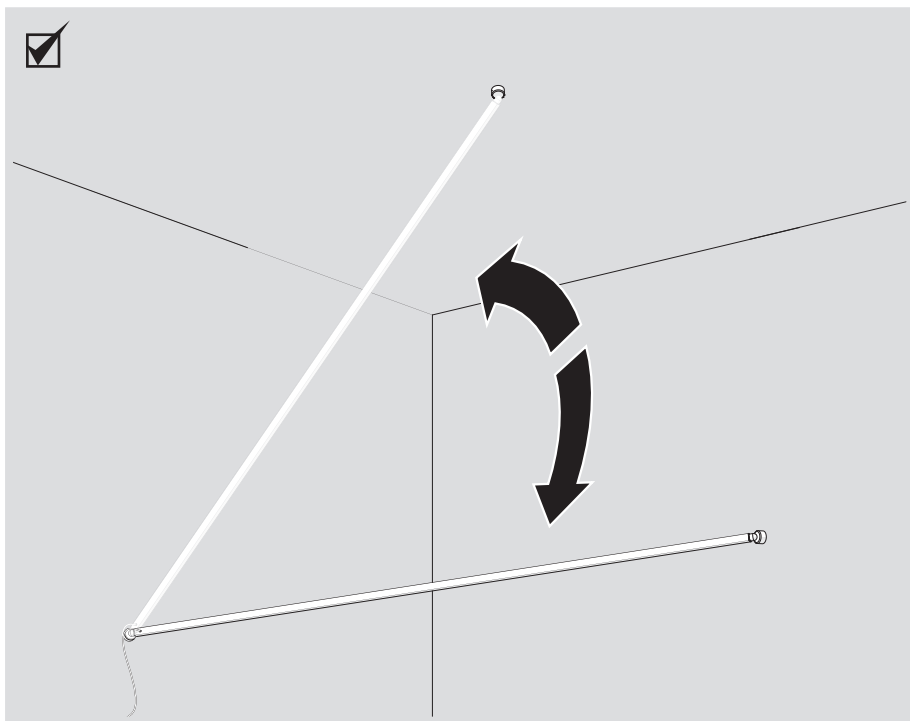
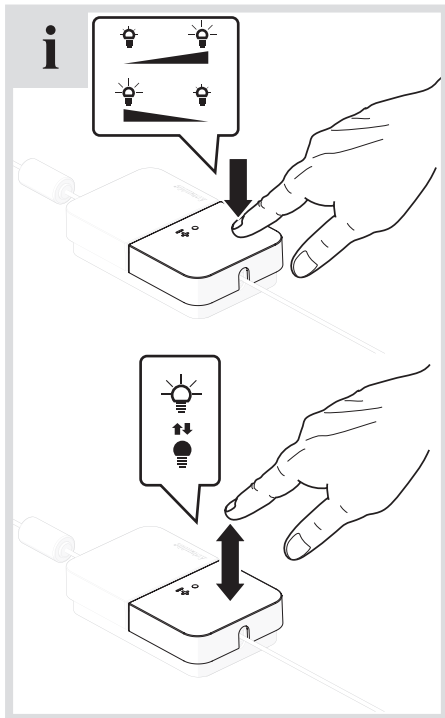


i



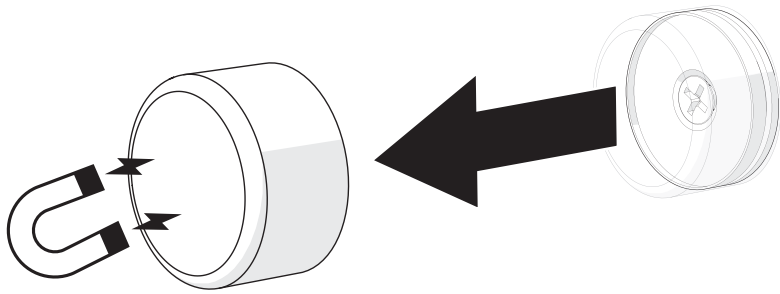
10



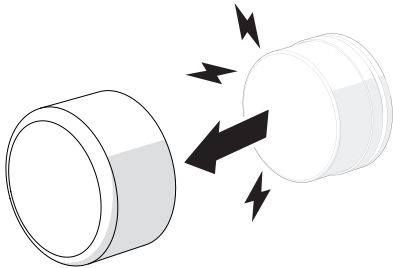




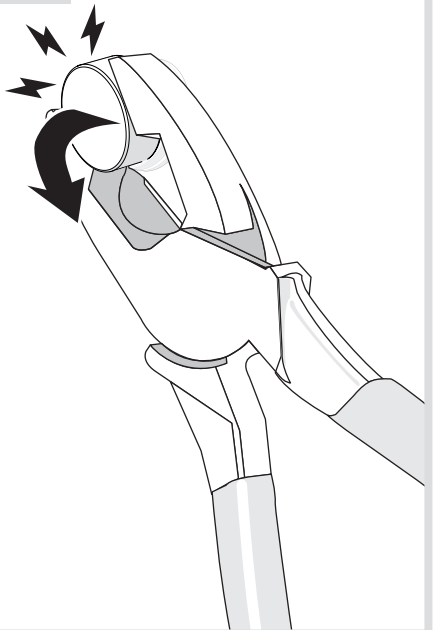
i



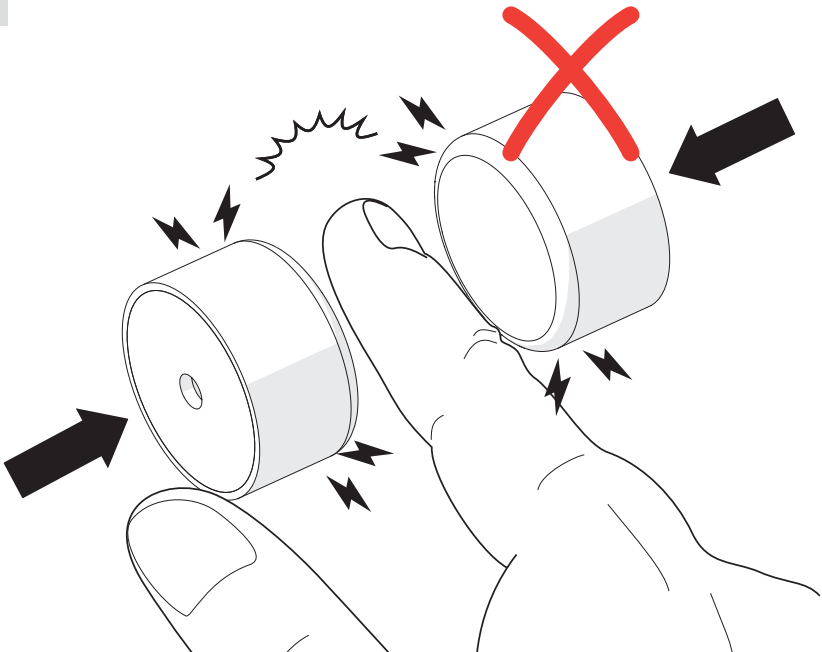
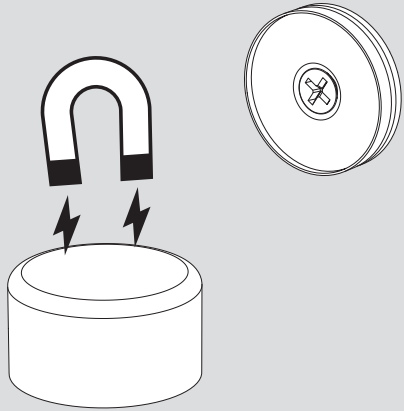
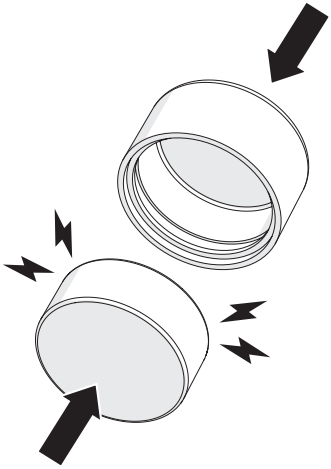
1

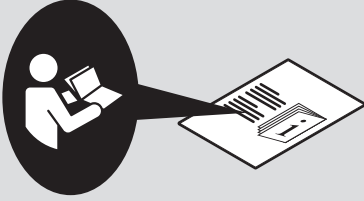


2

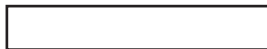


3





Artemide®



Artemide

via Bergamo, 18
20010 Pregnana M.se (MI)
ITALIA

tel. +39 02 935 181
fax +39 02 935 90 254
fax +39 02 935 90 496

www.artemide.com

VAT IT00846890150

cod. Y513000321