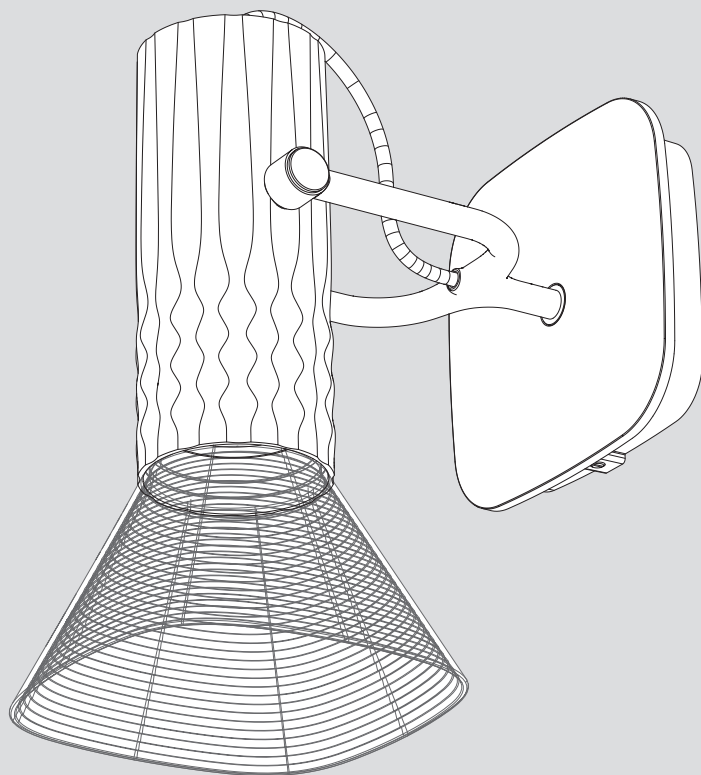


# Artemide®

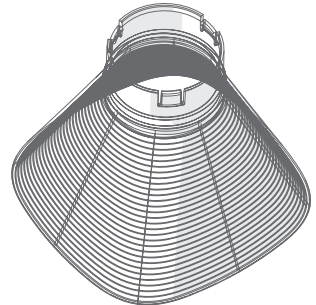
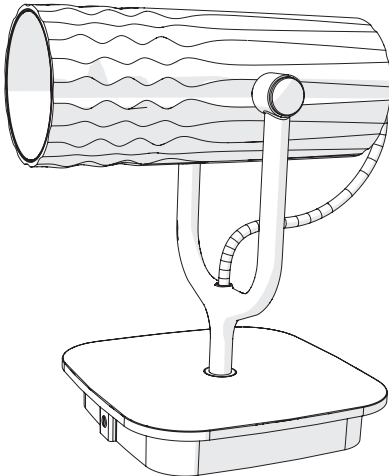
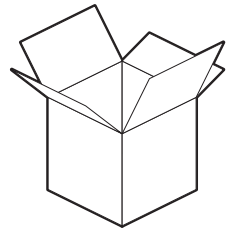
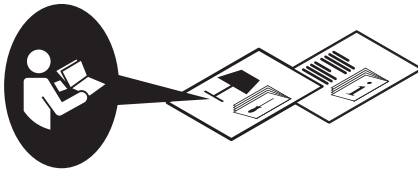
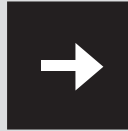
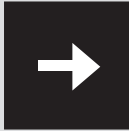
## Fiamma

design  
Wilмотte & Industries





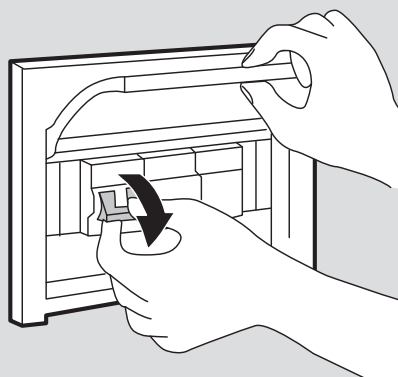
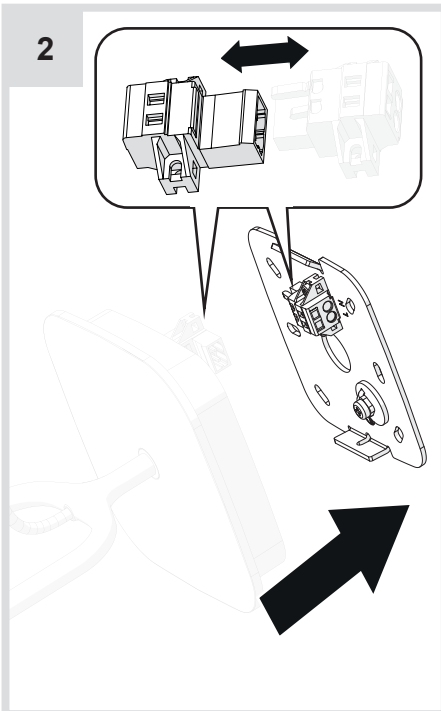
i



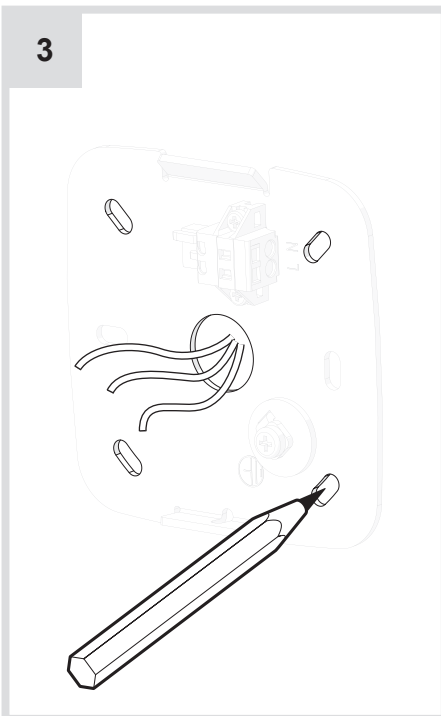
1



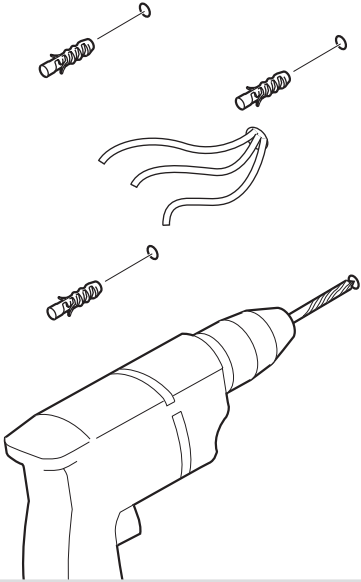
2



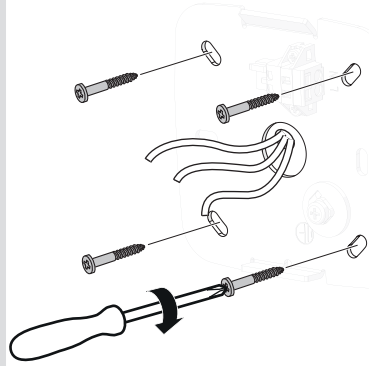
3



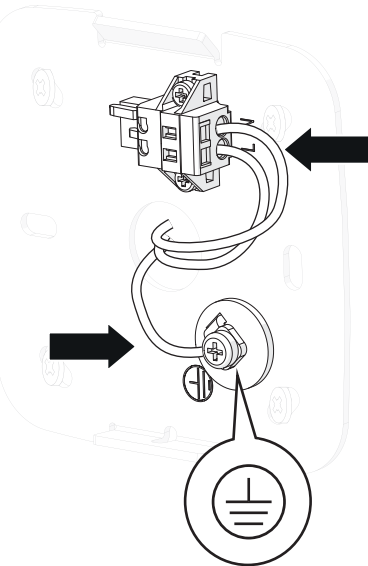
4



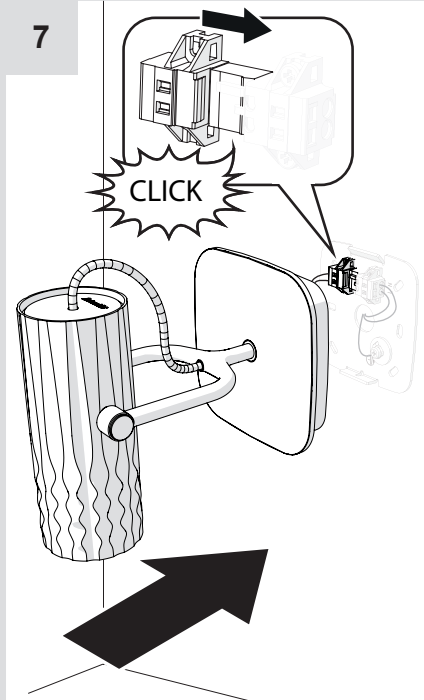
5



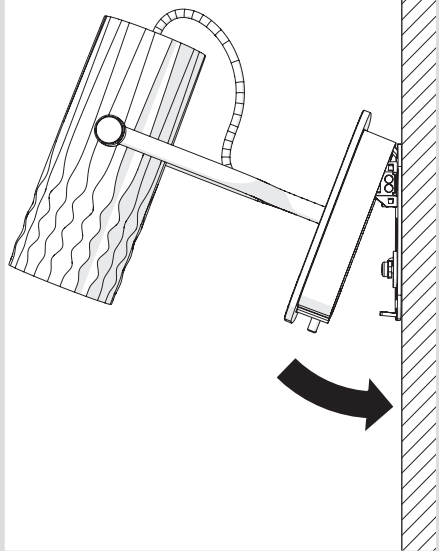
6



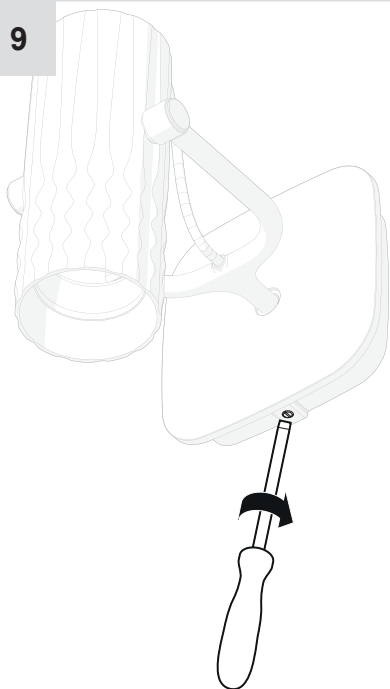
7



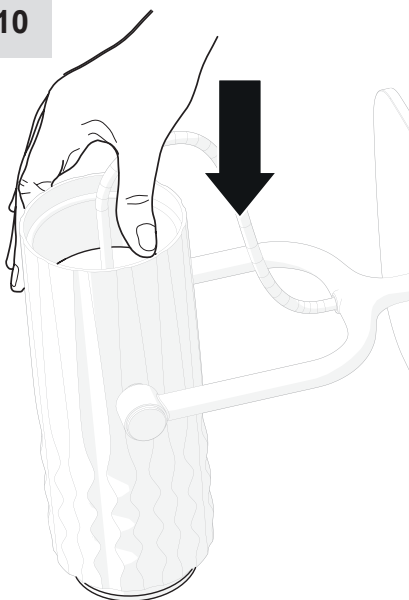
8



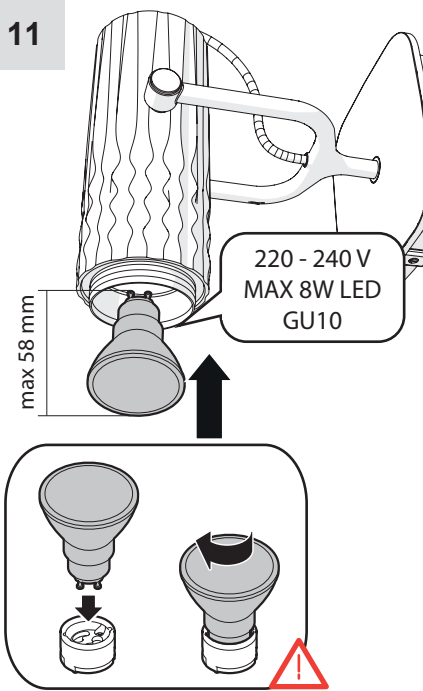
9



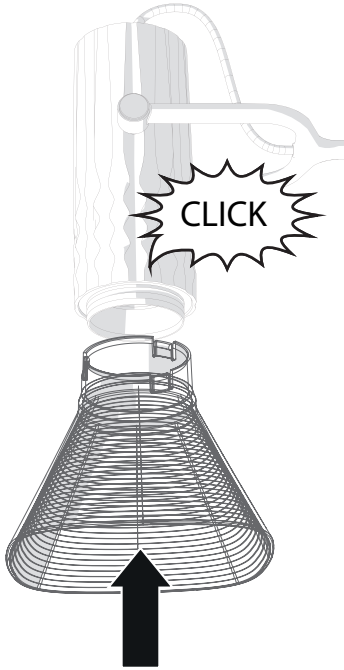
10



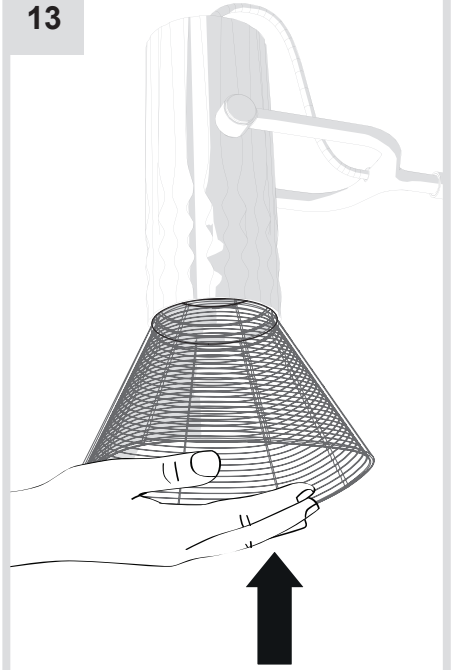
11



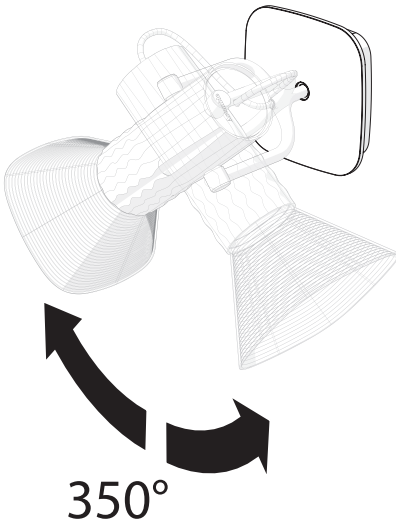
12



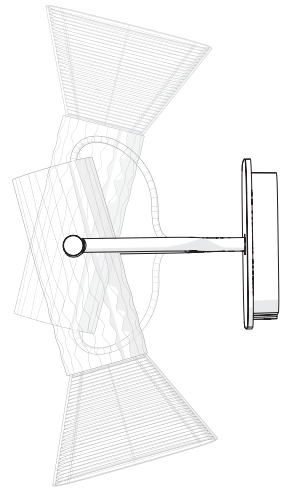
13

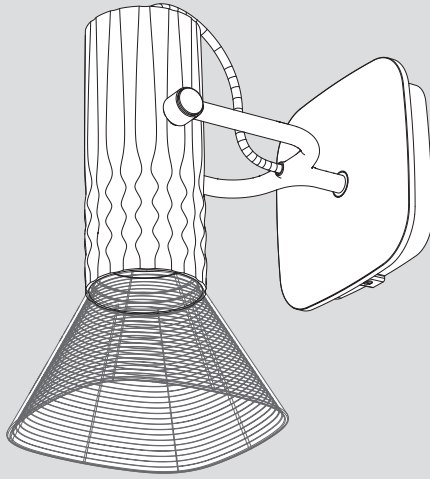


14

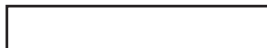


15





**Artemide®**



## **Artemide**

via Bergamo, 18  
20010 Pregnana M.se (MI)  
ITALIA

tel. +39 02 935 181  
fax +39 02 935 90 254  
fax +39 02 935 90 496

[www.artemide.com](http://www.artemide.com)

VAT IT00846890150

cod. Y513000317B