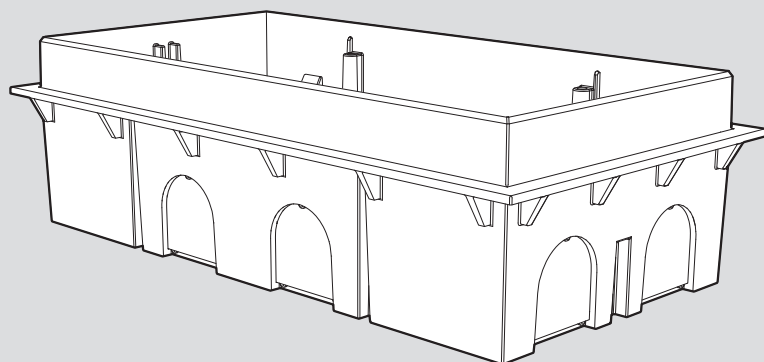


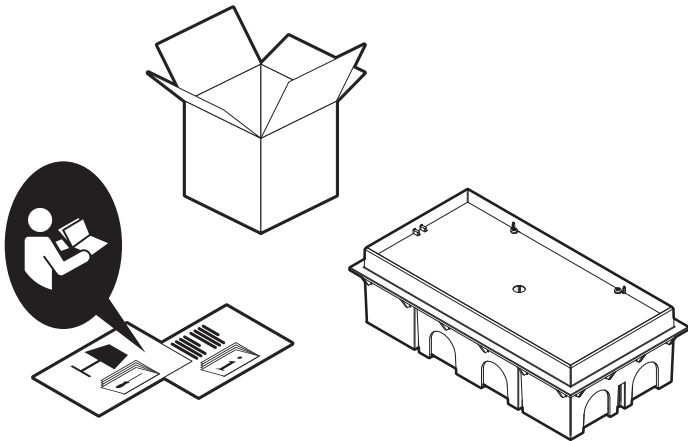
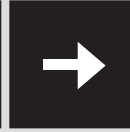
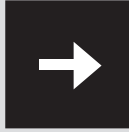
Artemide®

Faci cassaforma



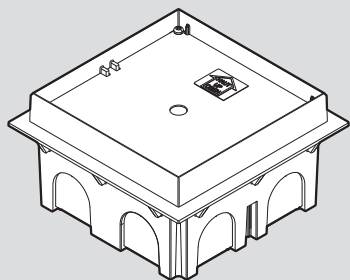


i

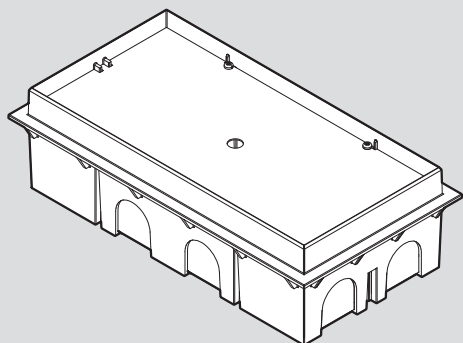


i

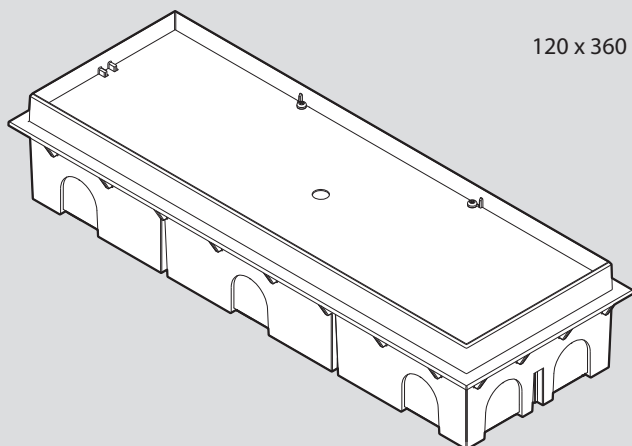
120 x 120 mm

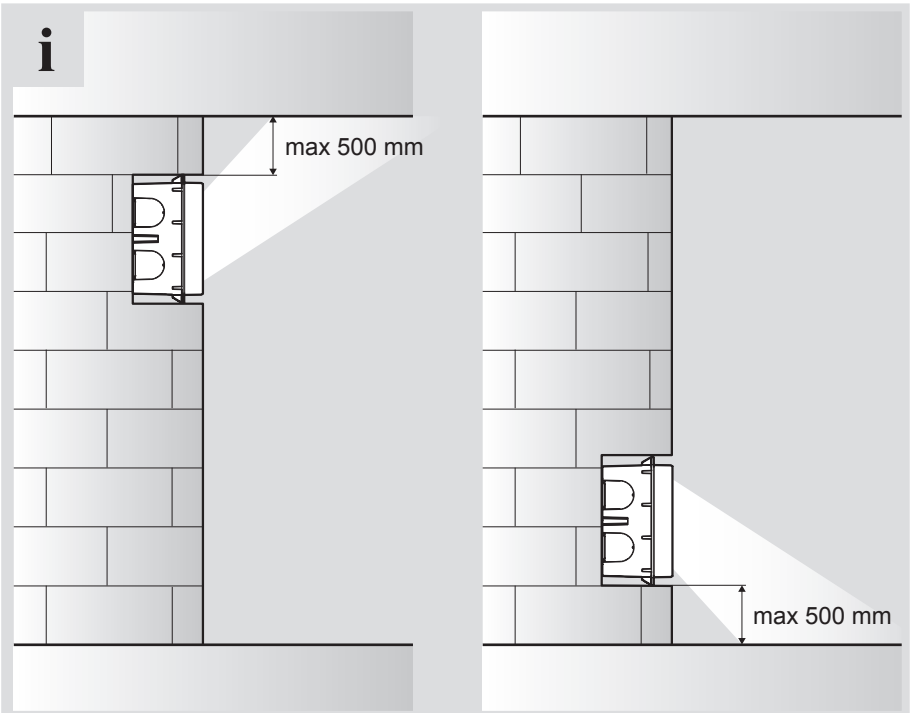
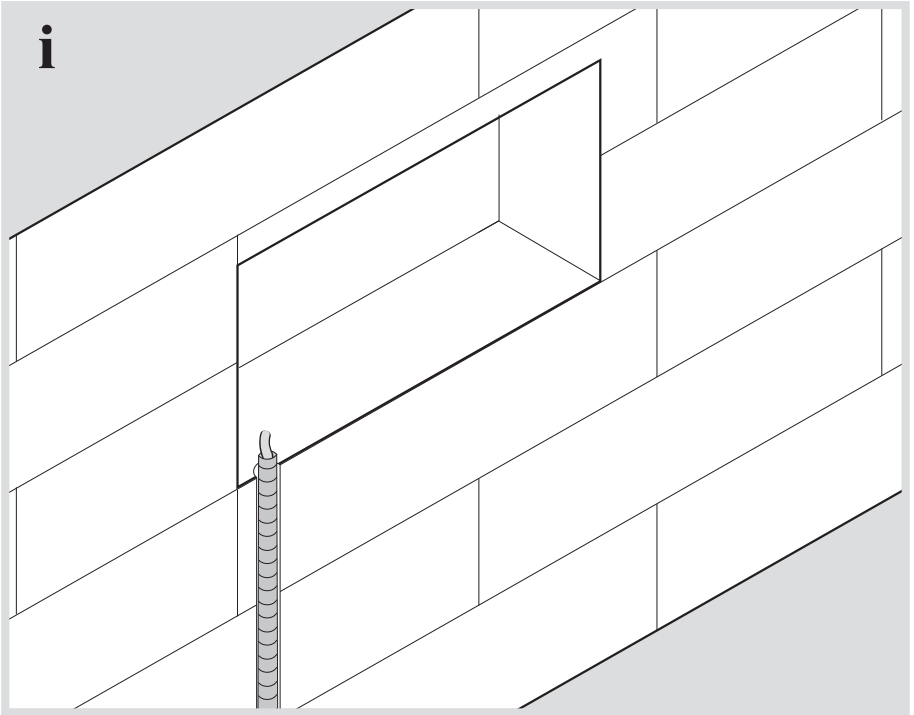


120 x 240 mm

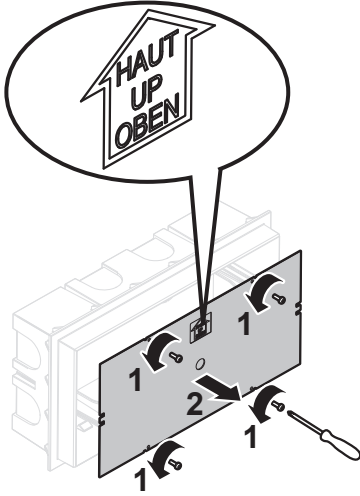


120 x 360 mm

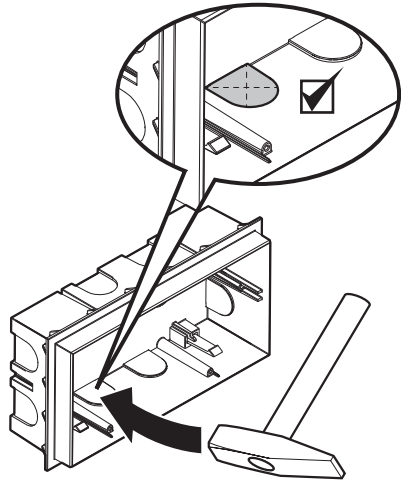




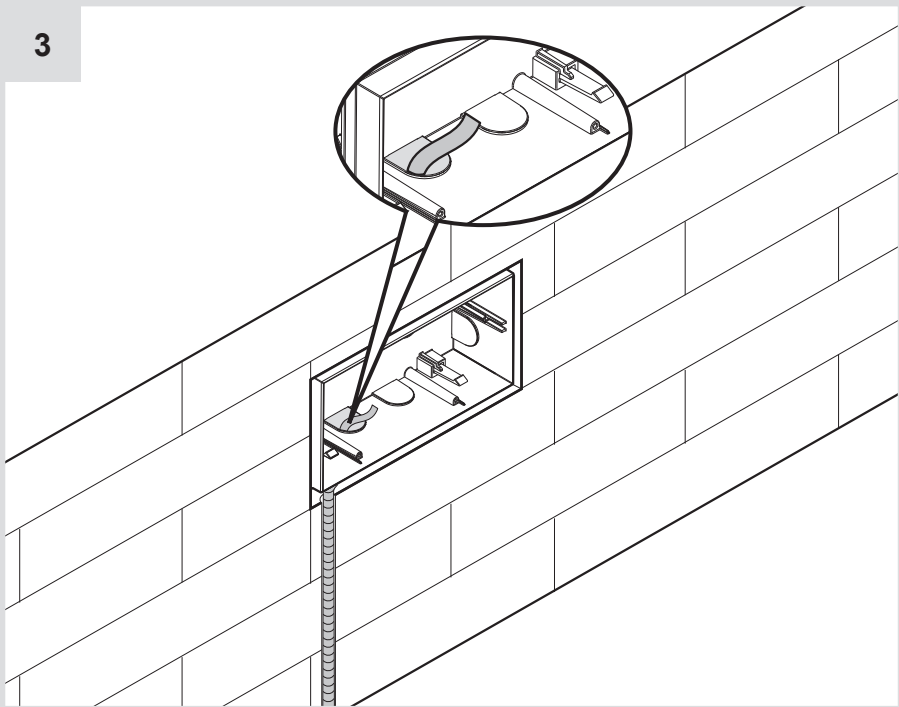
1

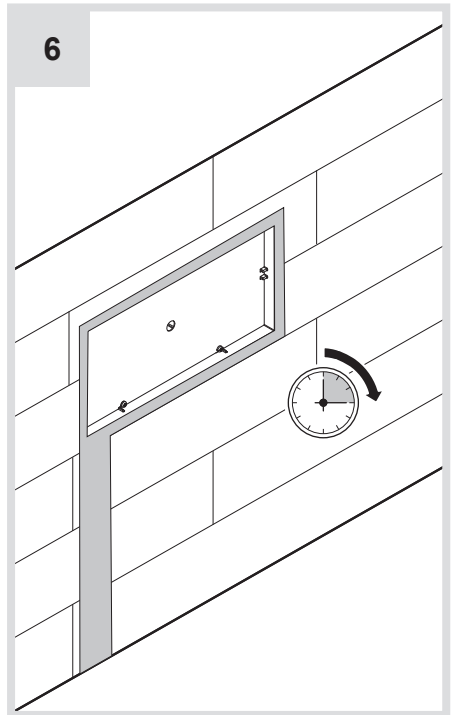
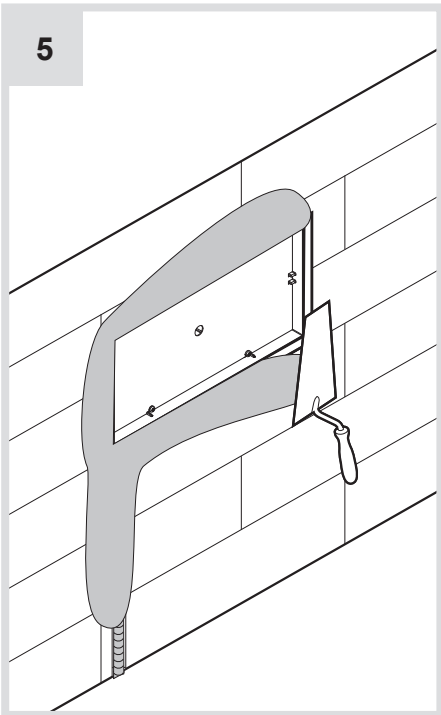
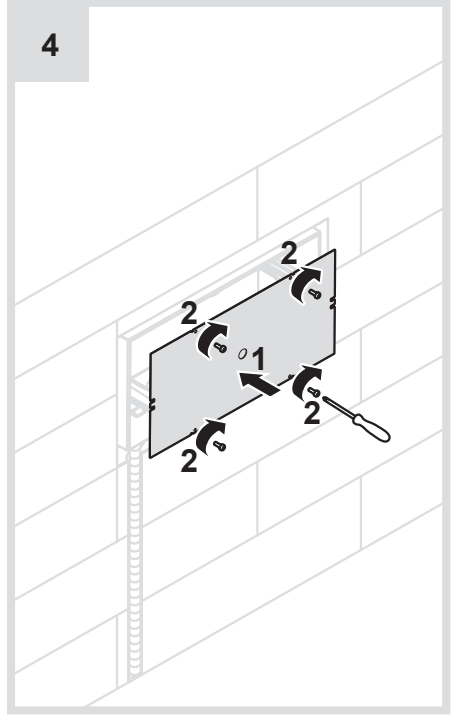
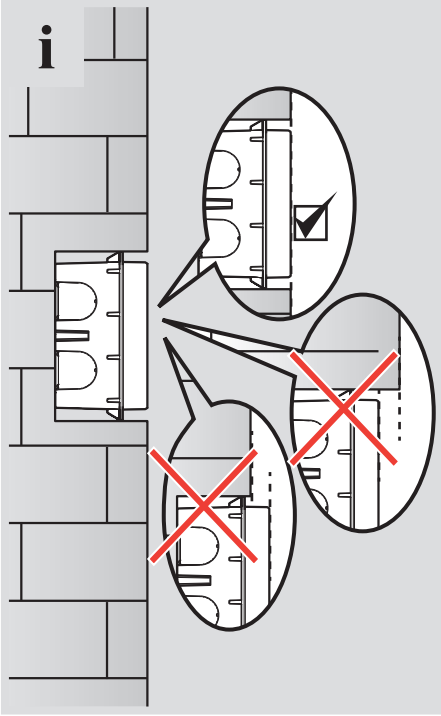


2

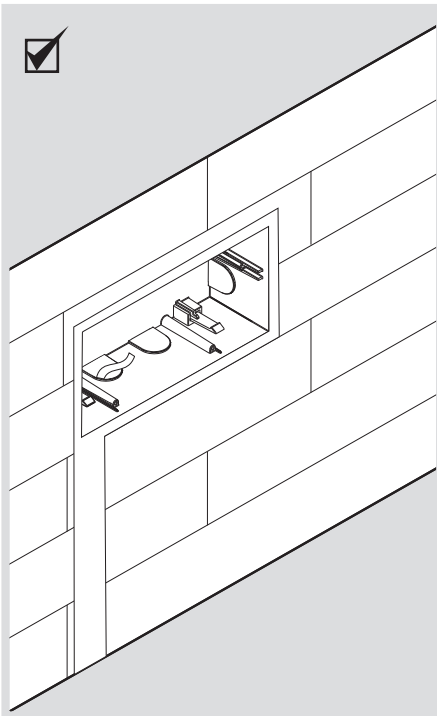
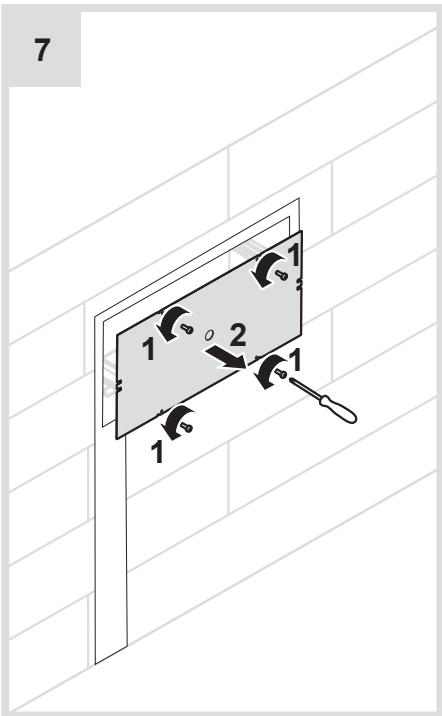


3





7



Artemide®



Artemide

via Bergamo, 18
20010 Pregnana M.se (MI)
ITALIA

tel. +39 02 935 181
fax +39 02 935 90 254
fax +39 02 935 90 496

www.artemide.com

VAT IT00846890150

cod. Y513000071A