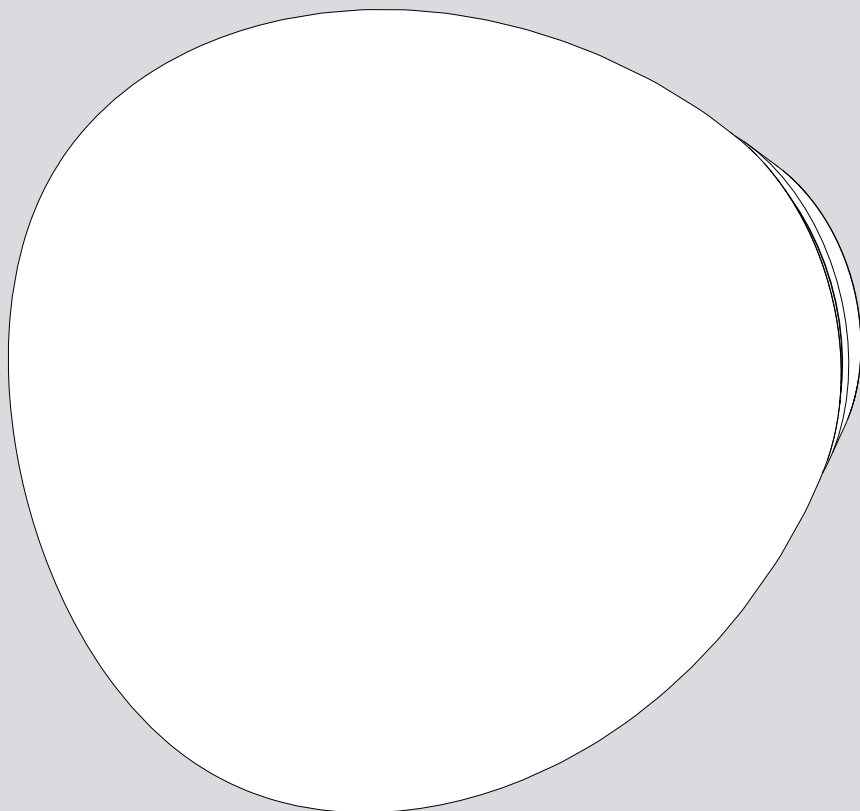


Artemide®

Empatia 26 - 36

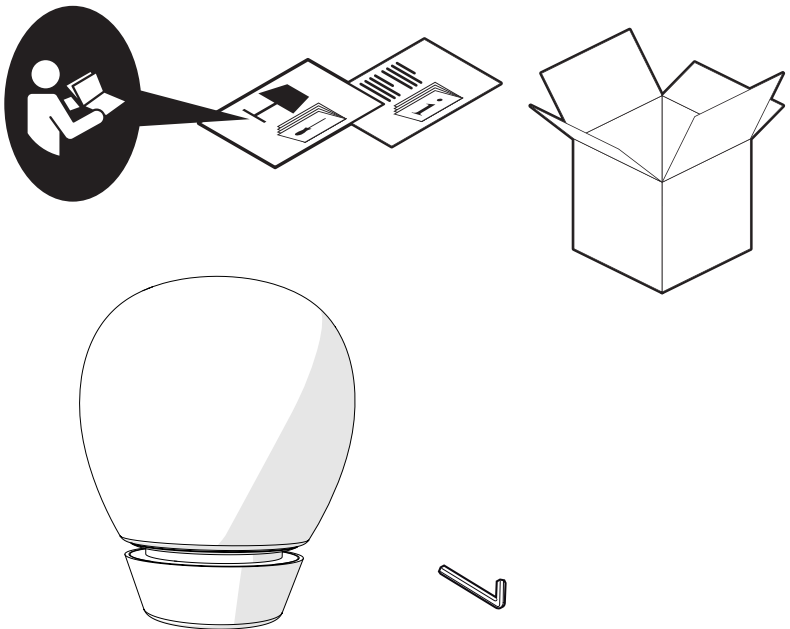
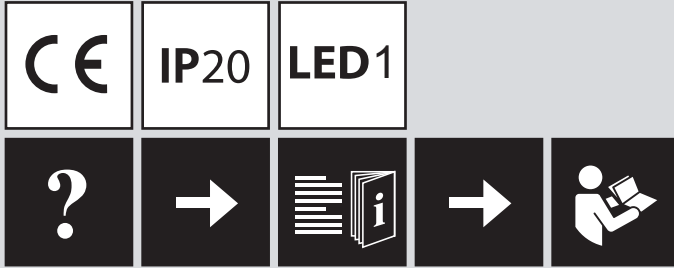
design

C. de Bevilacqua - P. di Arianello

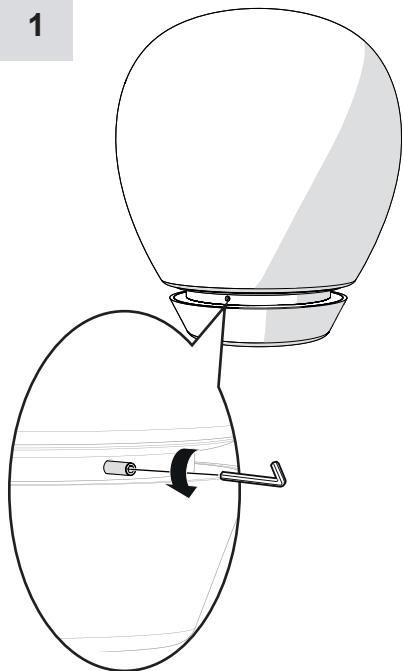




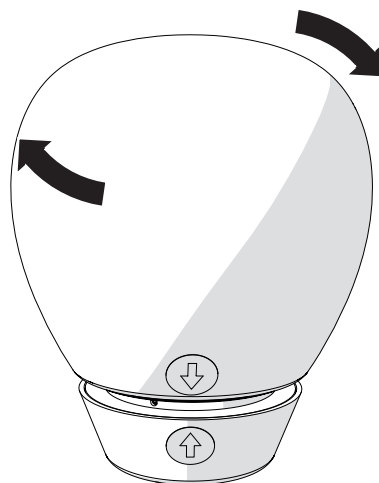
i



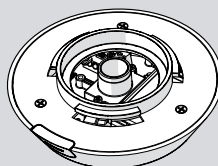
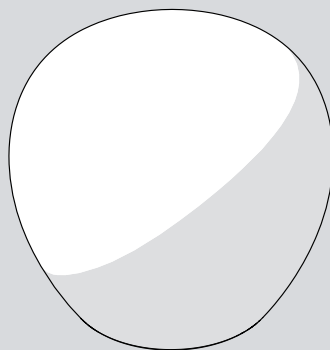
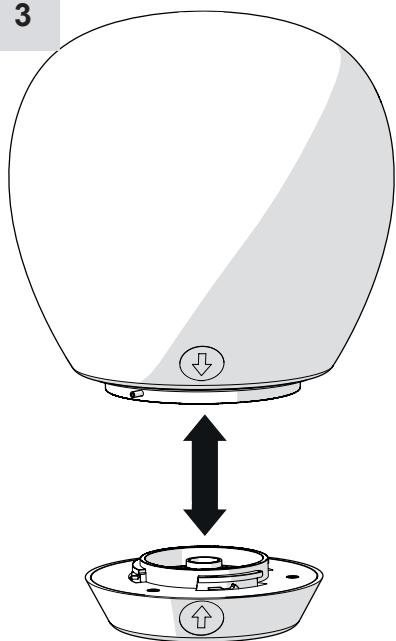
1

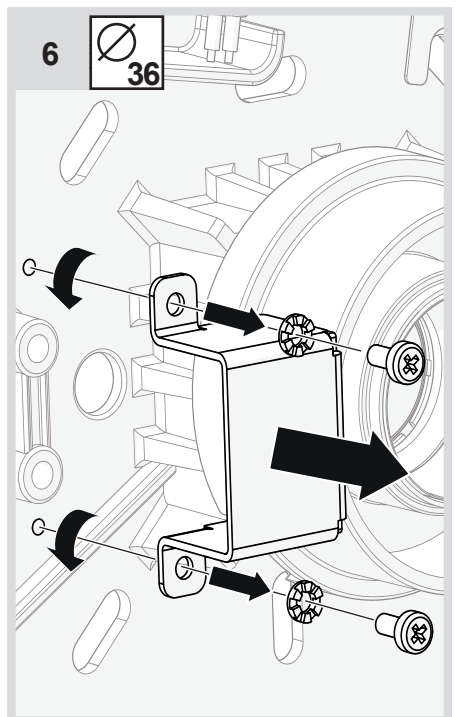
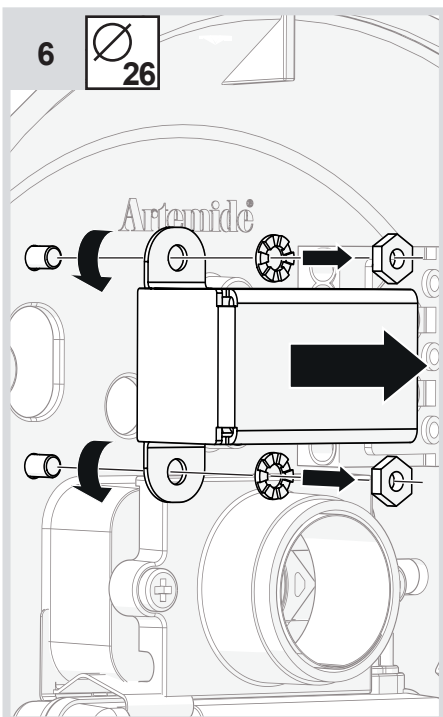
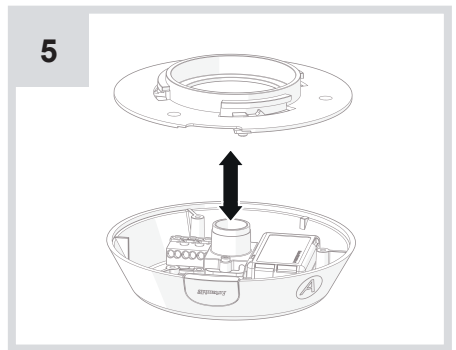
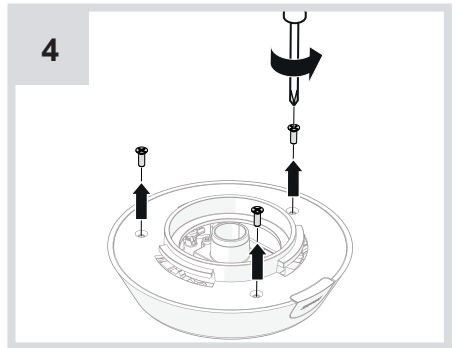
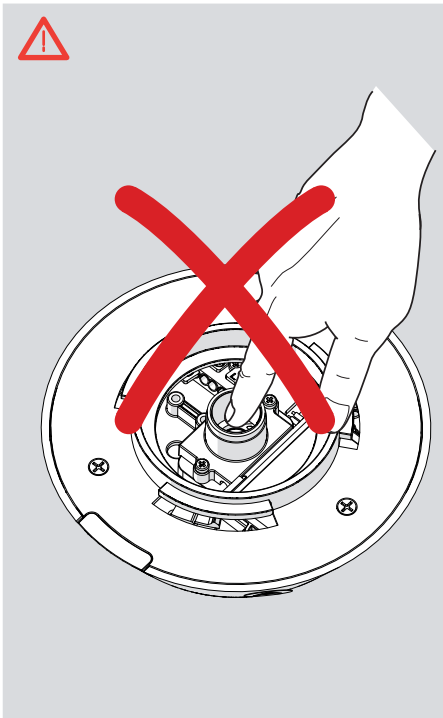


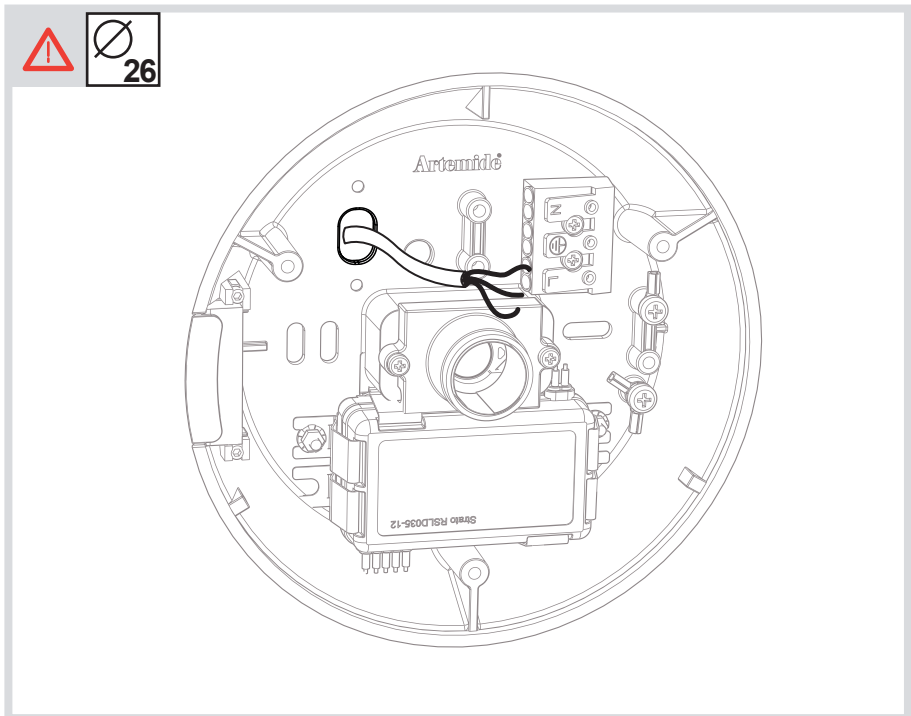
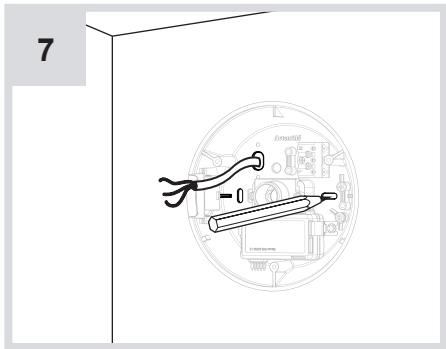
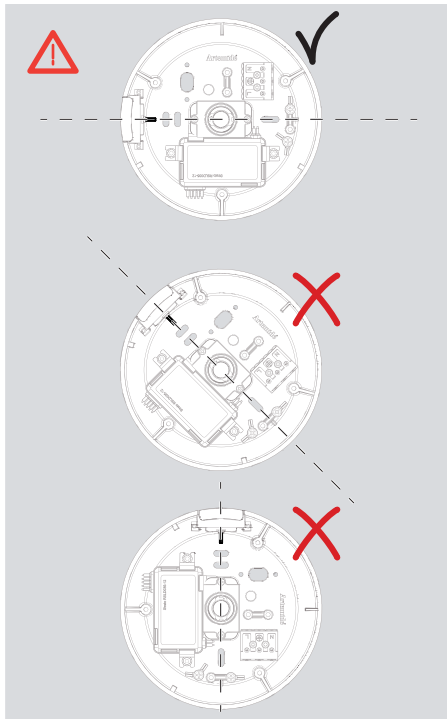
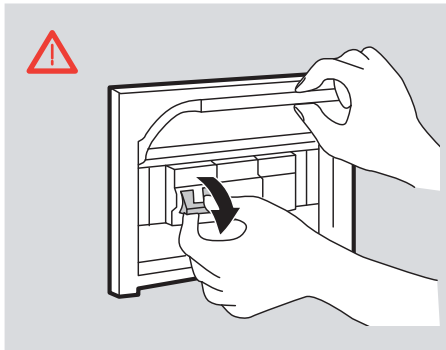
2



3

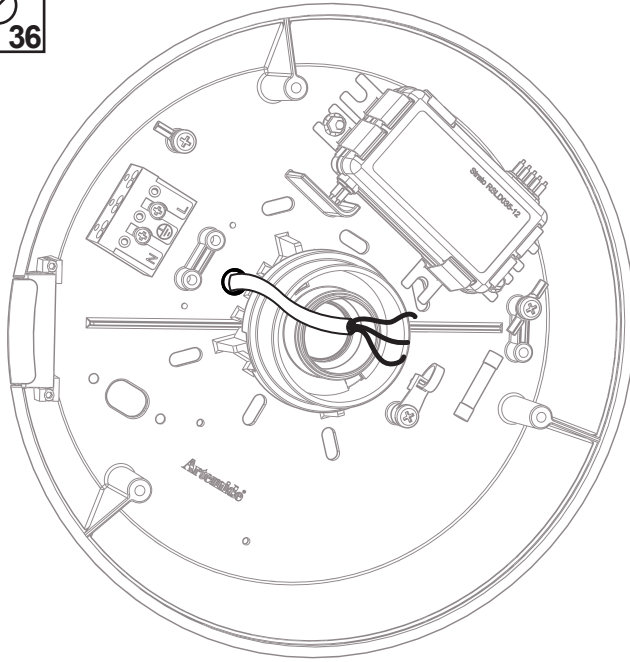




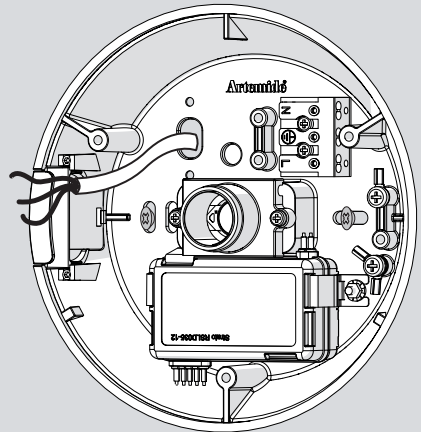
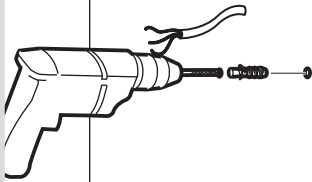




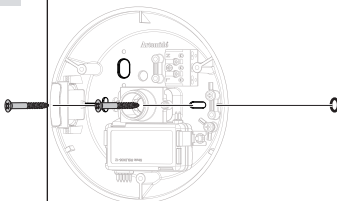
36



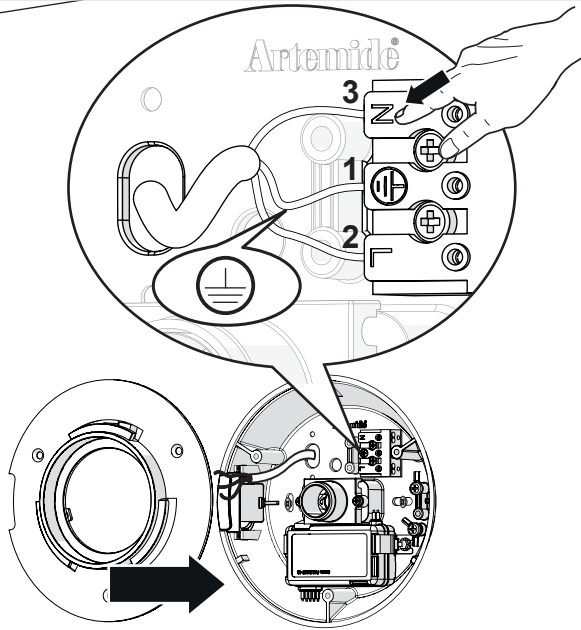
8



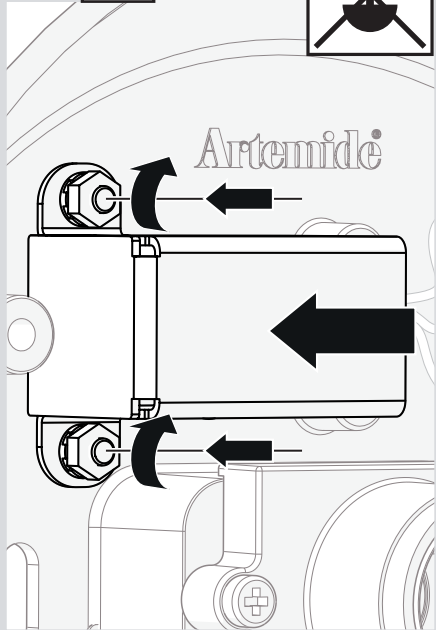
9



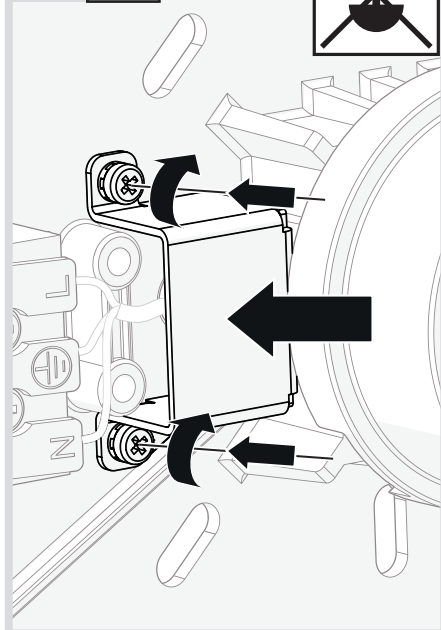
10

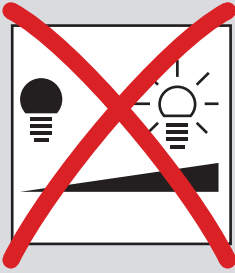
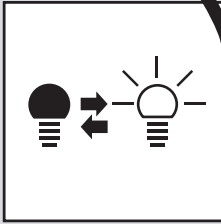


11

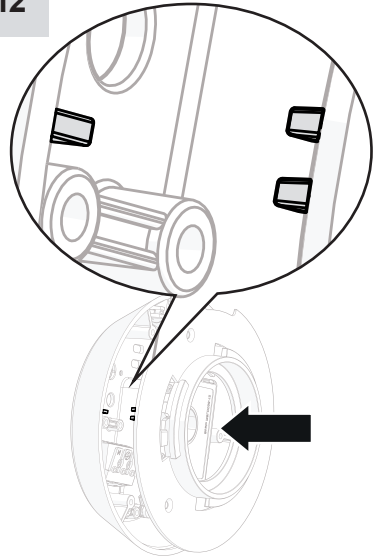


11

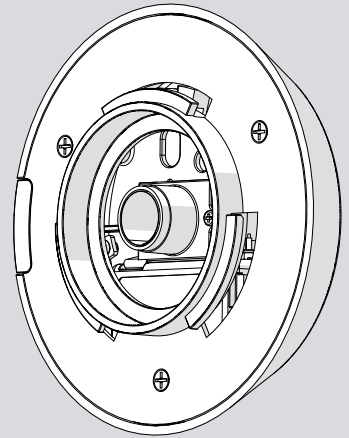
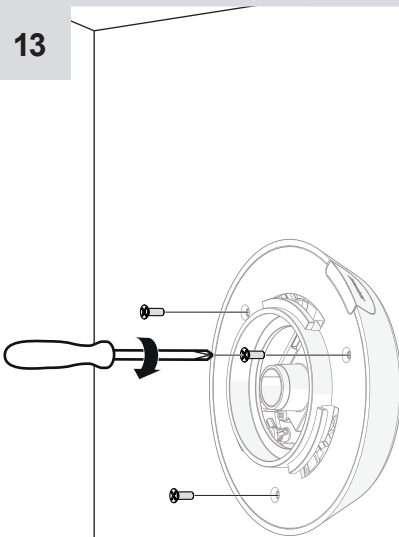




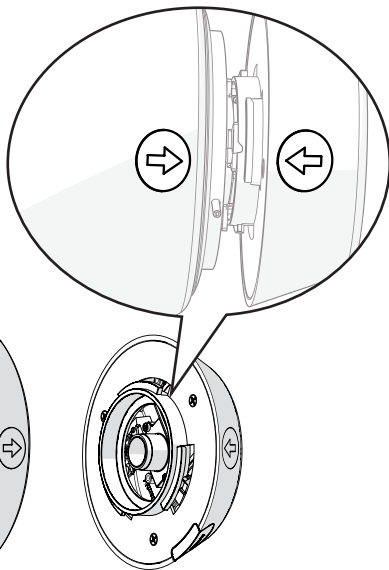
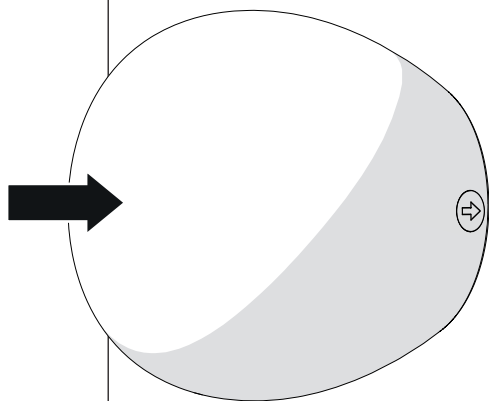
12



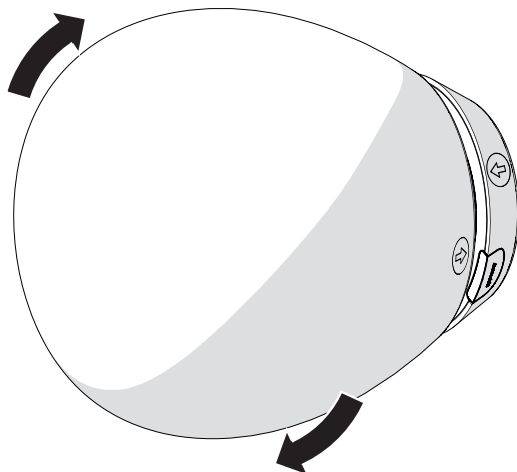
13



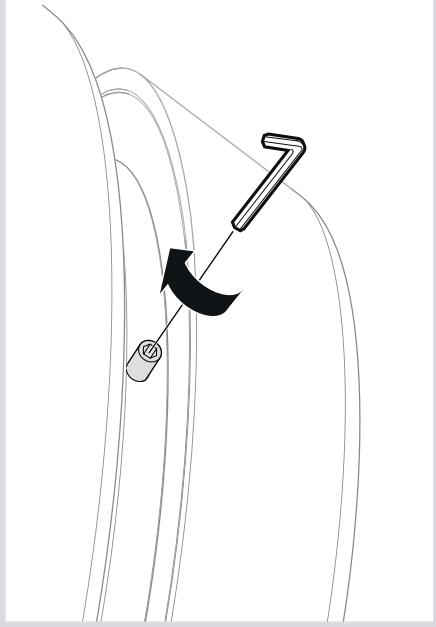
14



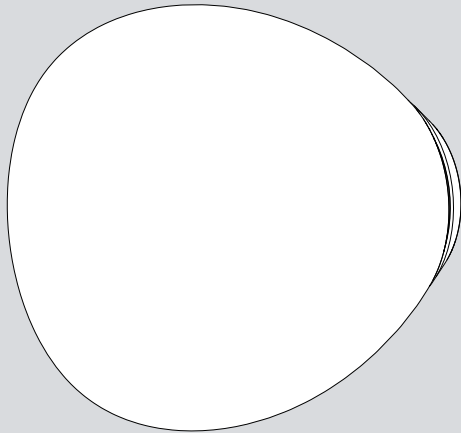
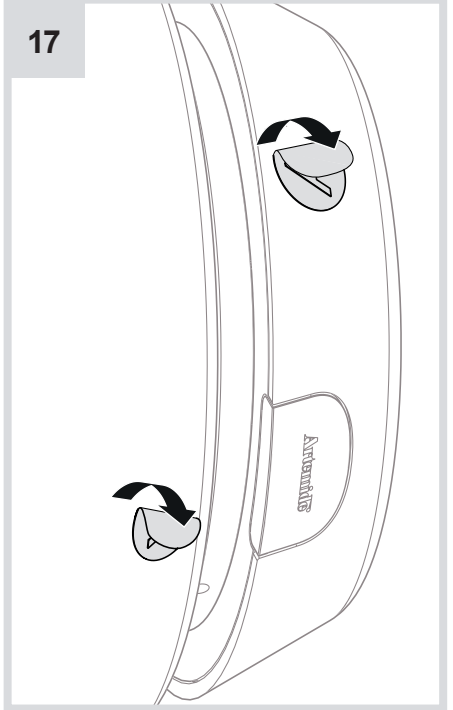
15



16

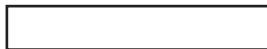


17





Artemide®



Artemide

via Bergamo, 18
20010 Pregnana M.se (MI)
ITALIA

tel. +39 02 935 181
fax +39 02 935 90 254
fax +39 02 935 90 496

www.artemide.com

VAT IT00846890150

cod. Y513000188B