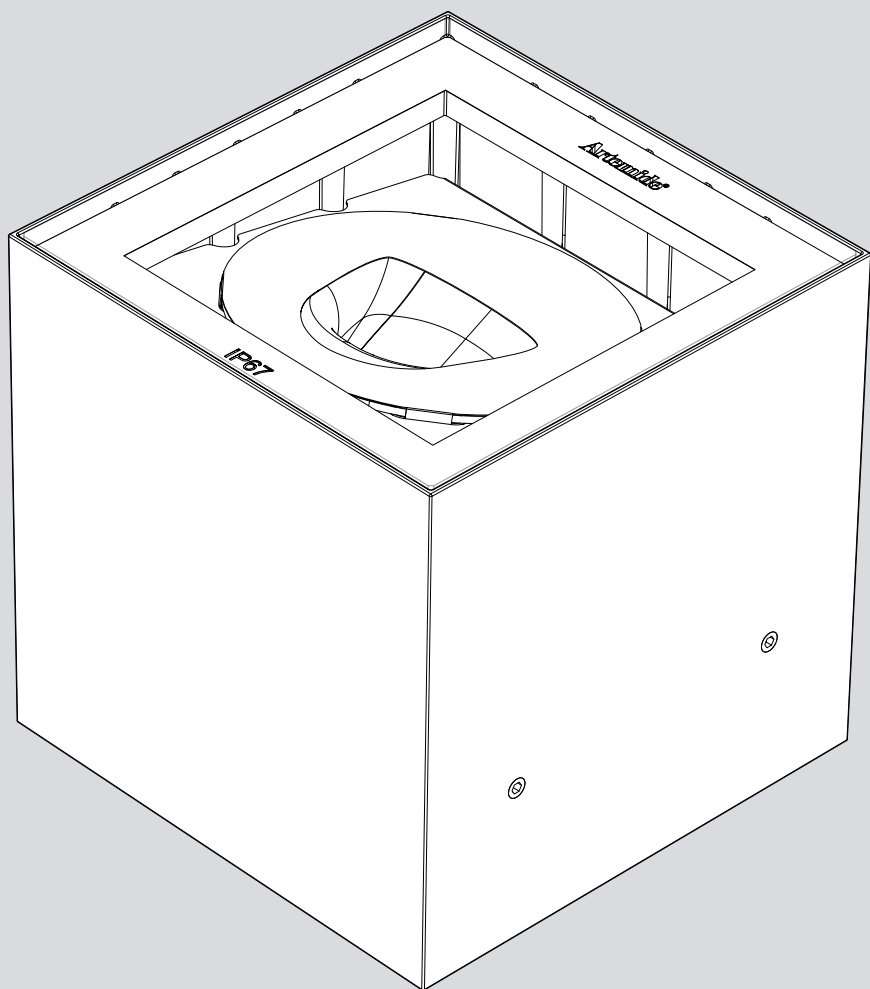


Artemide®

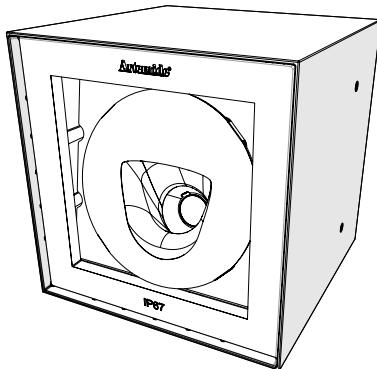
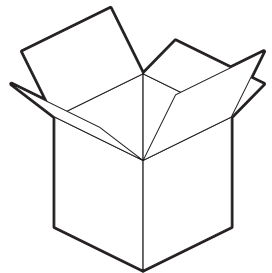
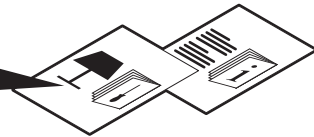
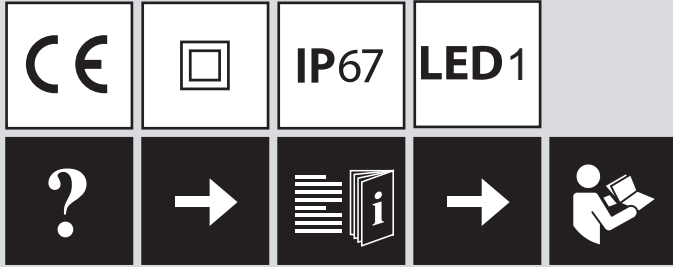
Basolo

design
E. Gismondi

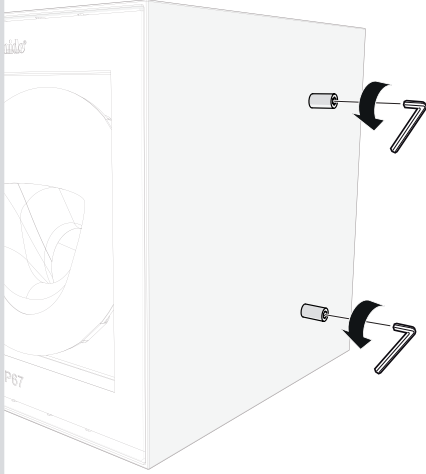




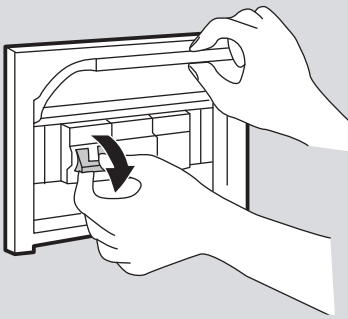
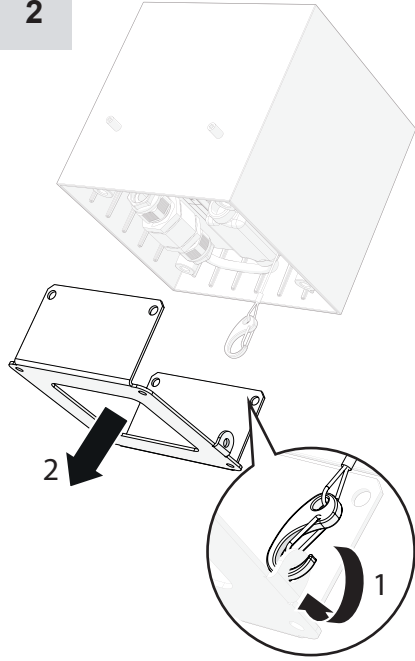
i



1



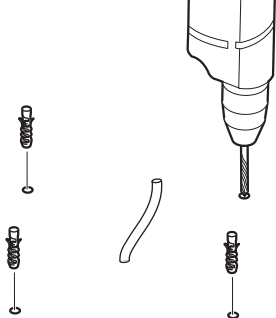
2



3

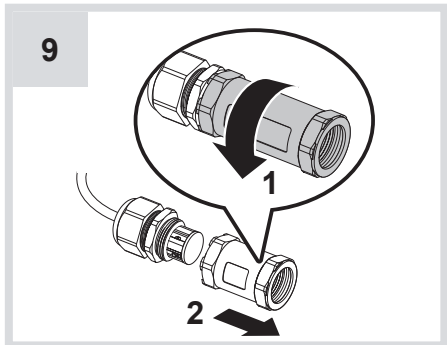
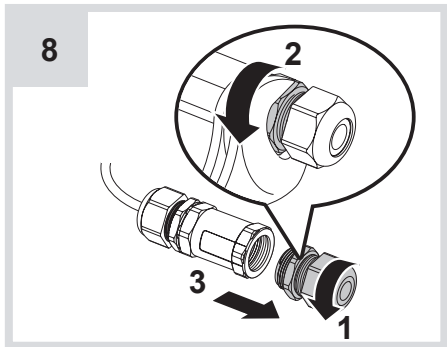
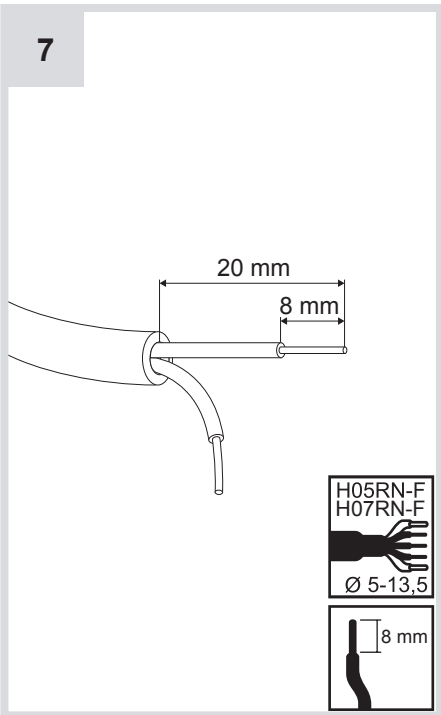
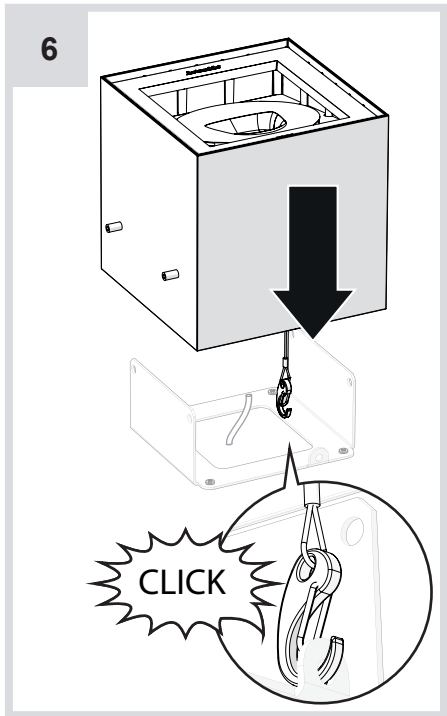
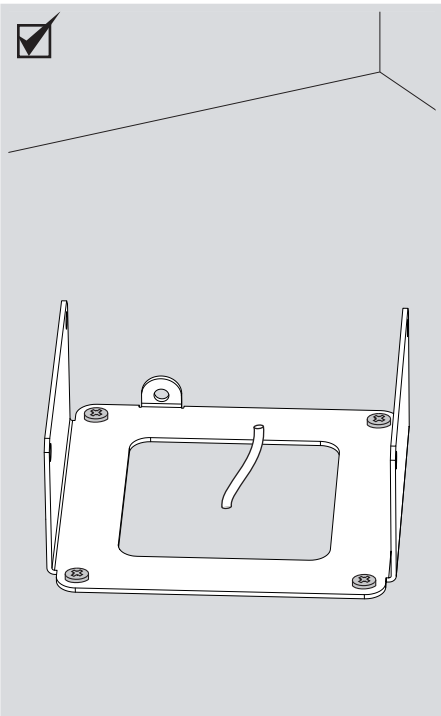


4

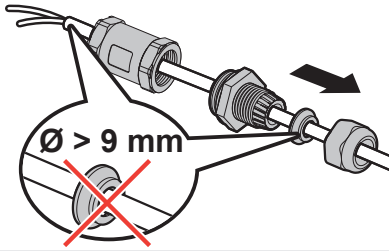


5

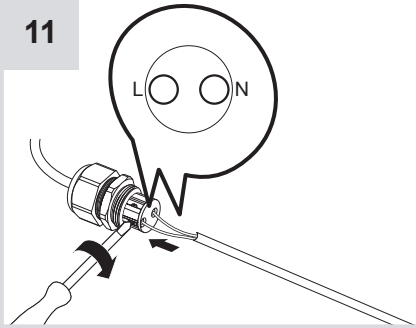




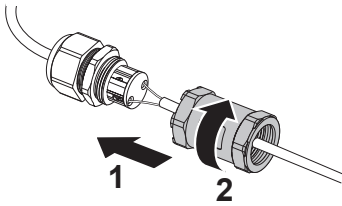
10



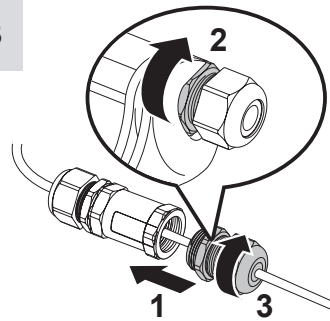
11



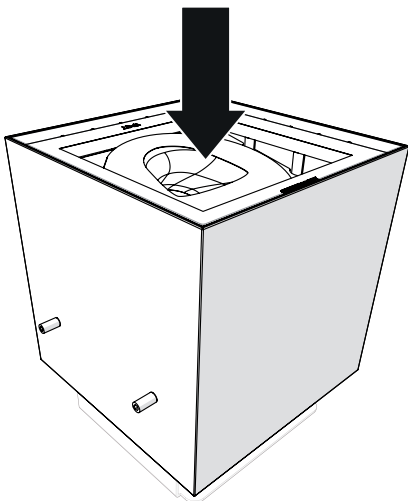
12



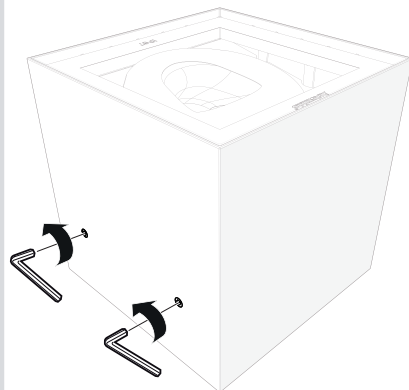
13

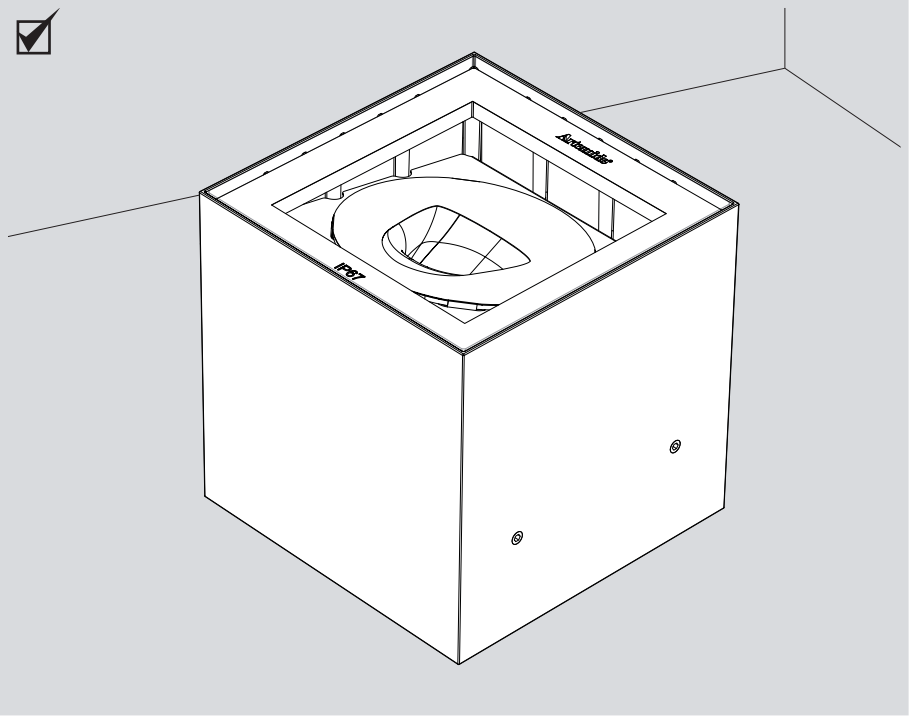


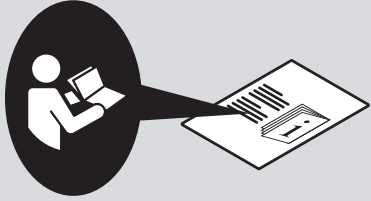
14



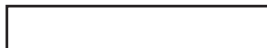
15







Artemide®



Artemide

via Bergamo, 18
20010 Pregnana M.se (MI)
ITALIA

tel. +39 02 935 181
fax +39 02 935 90 254
fax +39 02 935 90 496

www.artemide.com

VAT IT00846890150

cod. Y513000216A