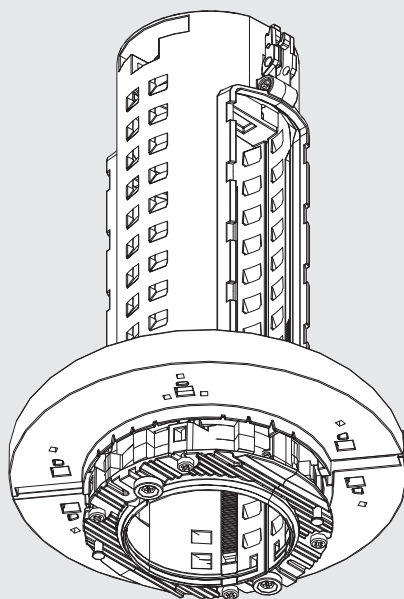


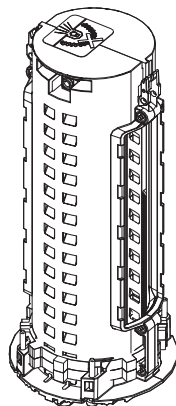
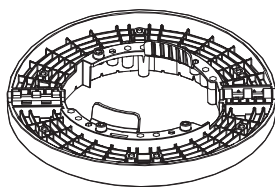
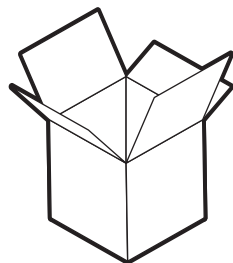
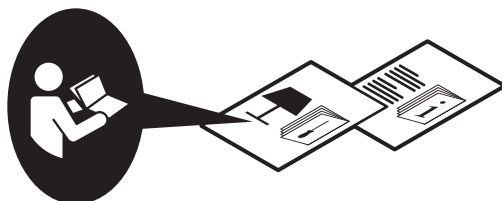
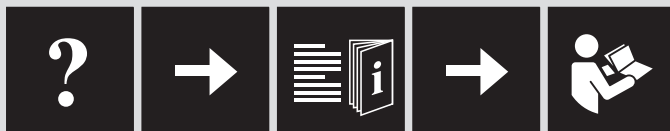
VECTOR RECESSED - STRUCTURE

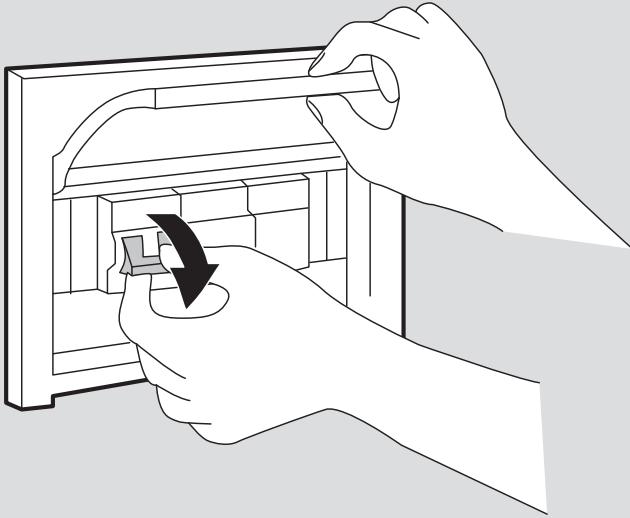
design
Carlotta De Bevilacqua





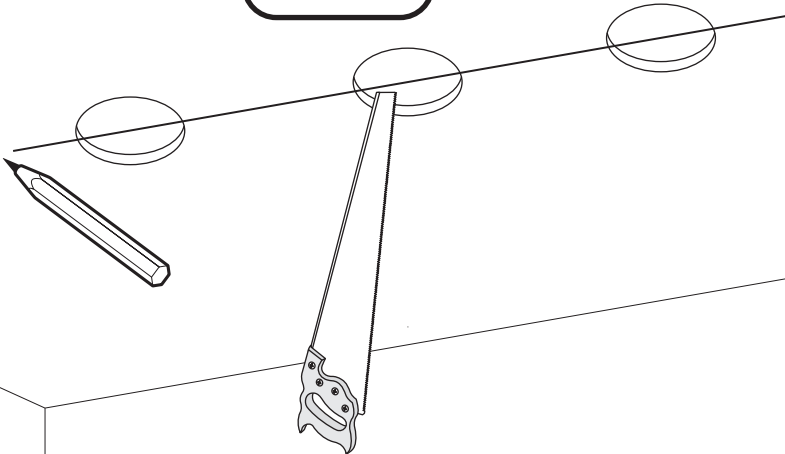
i



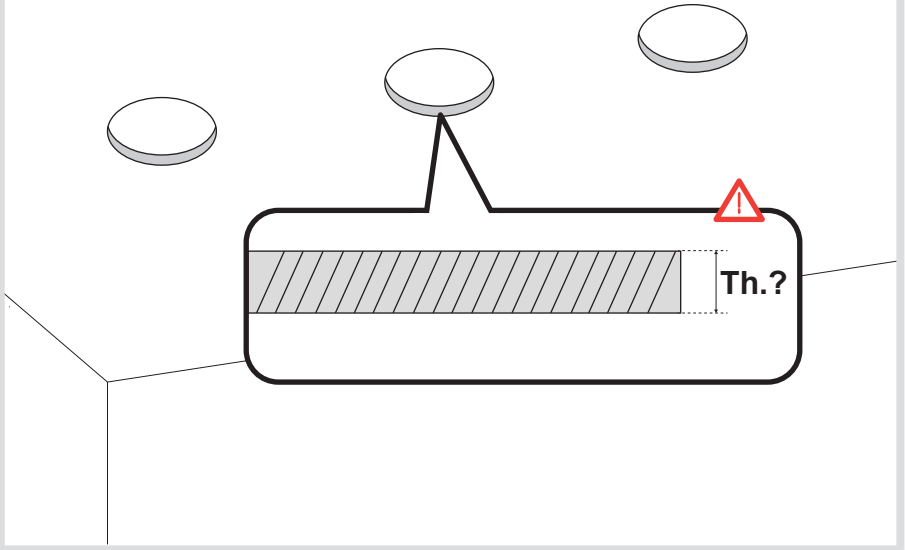


1

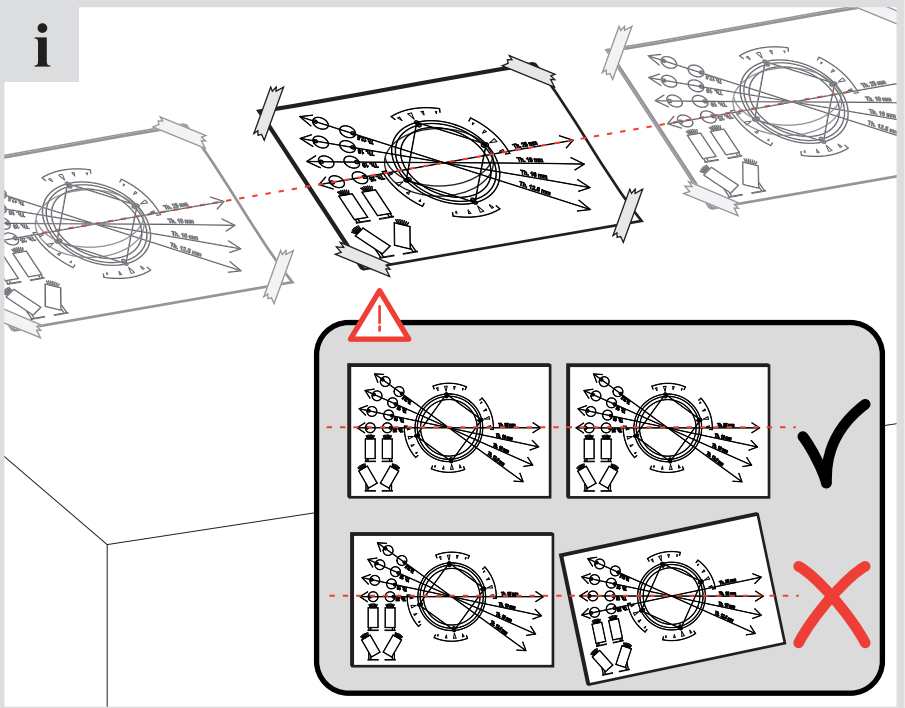
ø 86 mm



2

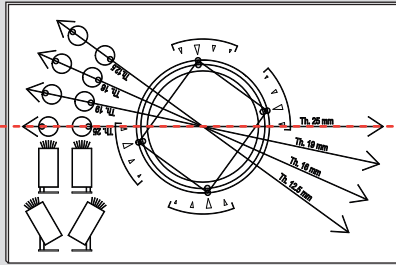


i

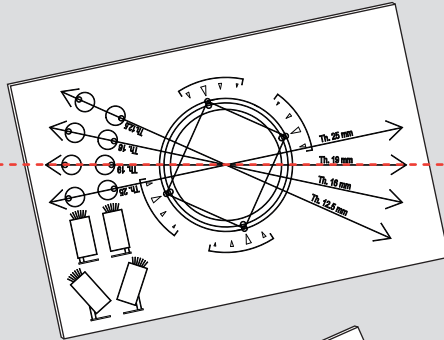


i

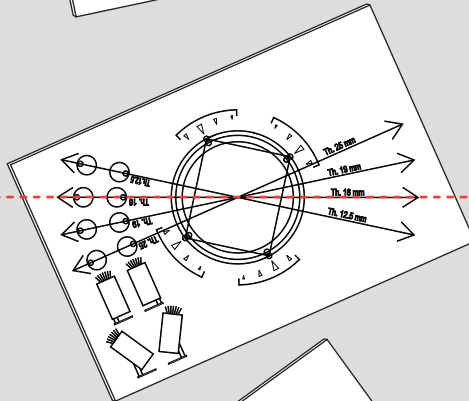
Th. = 25 mm



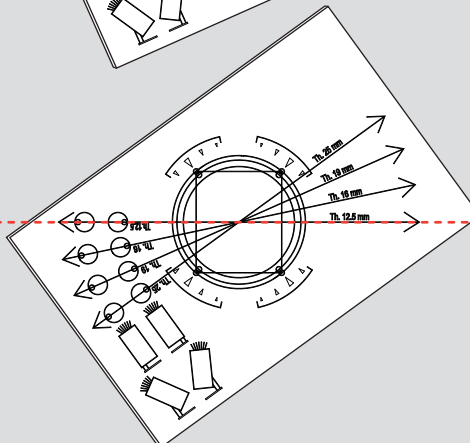
Th. = 19 mm



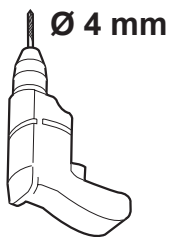
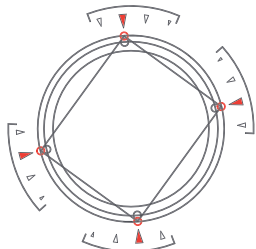
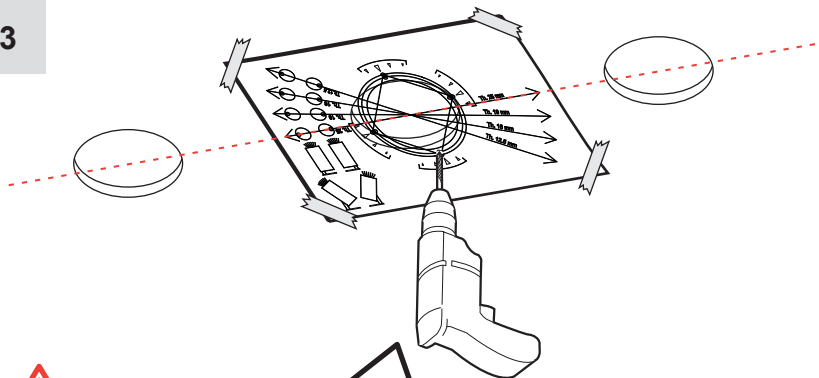
Th. = 16 mm



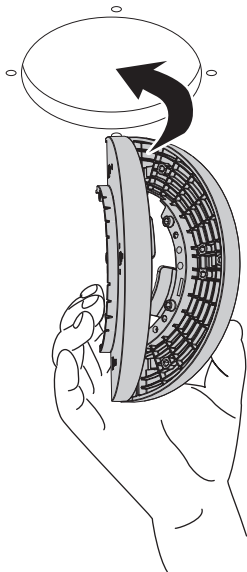
Th. = 12,5 mm



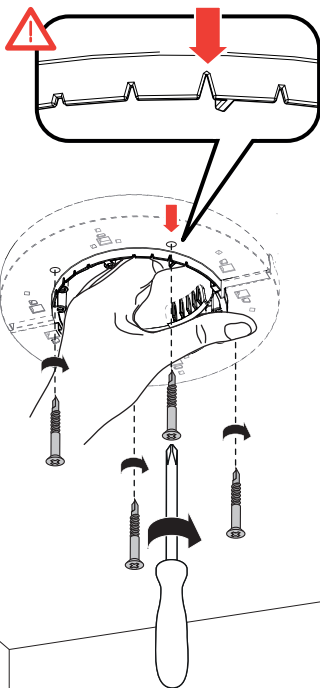
3



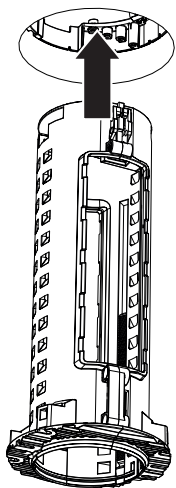
4



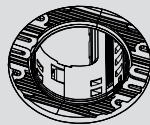
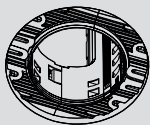
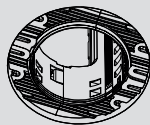
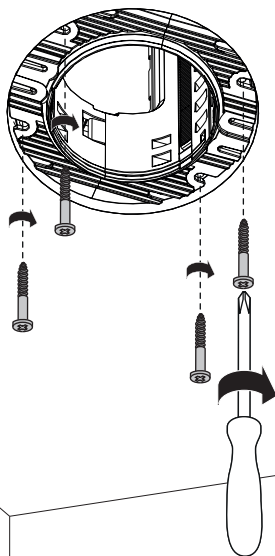
5



6



7





Artemide Spa

via Bergamo, 18
20010 Pregnana M.se (MI)
ITALIA

Tel. +39 02 935 181
Fax +39 02 935 90 254
Fax +39 02 935 90 496

www.artemide.com

VAT IT00846890150