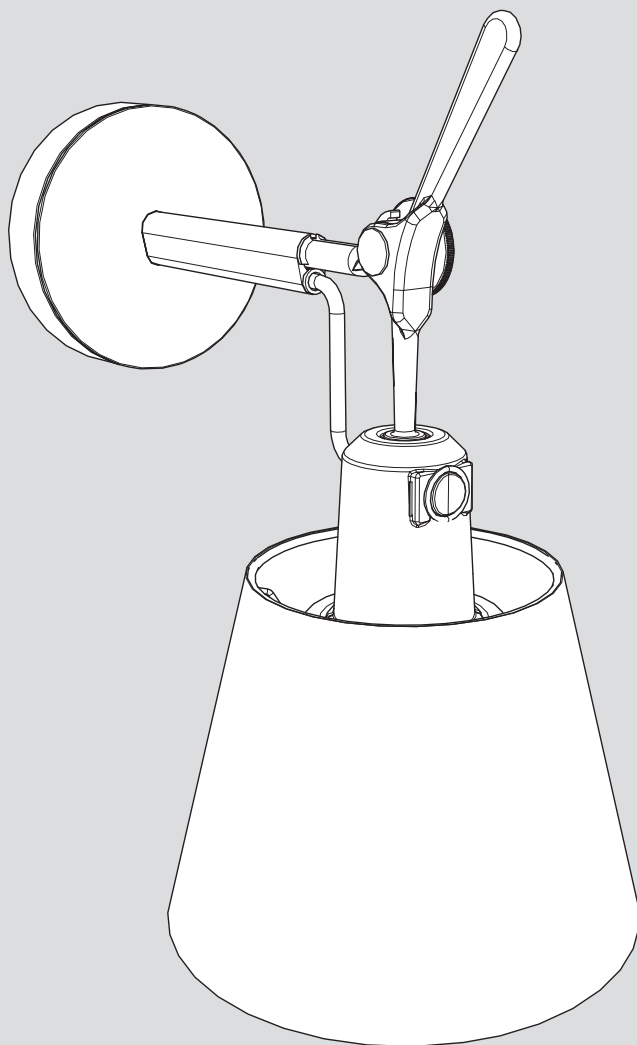


# Artemide®

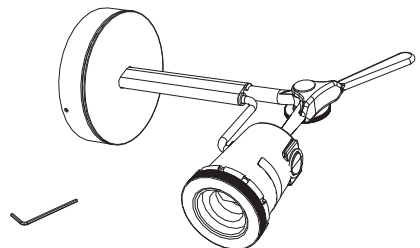
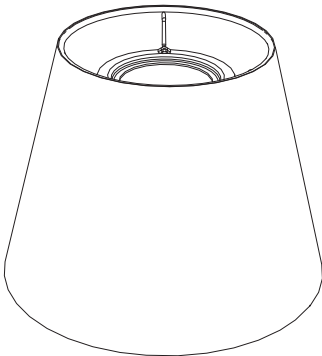
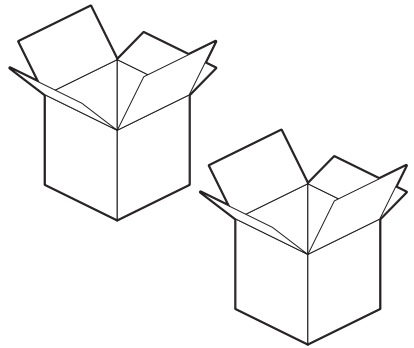
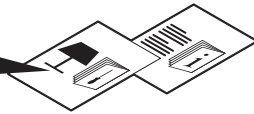
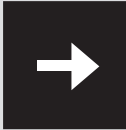
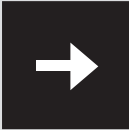
## Tolomeo Parete Diffusore 18-24-32

design  
M. De Lucchi  
G. Fassina

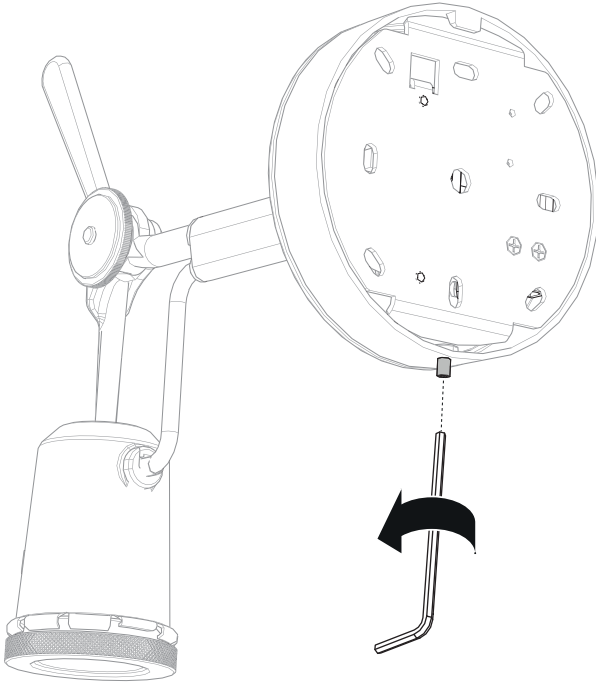




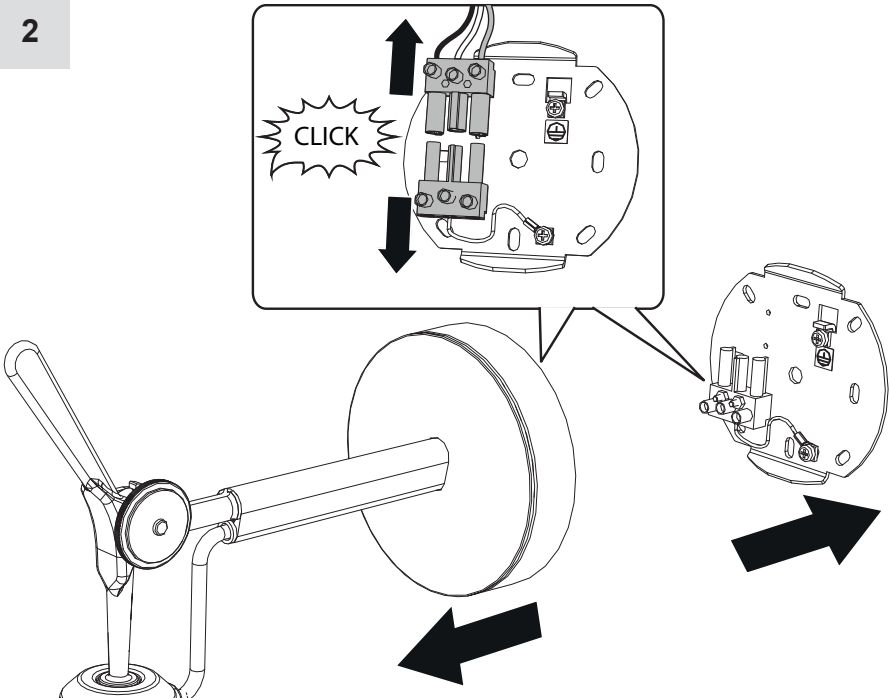
i

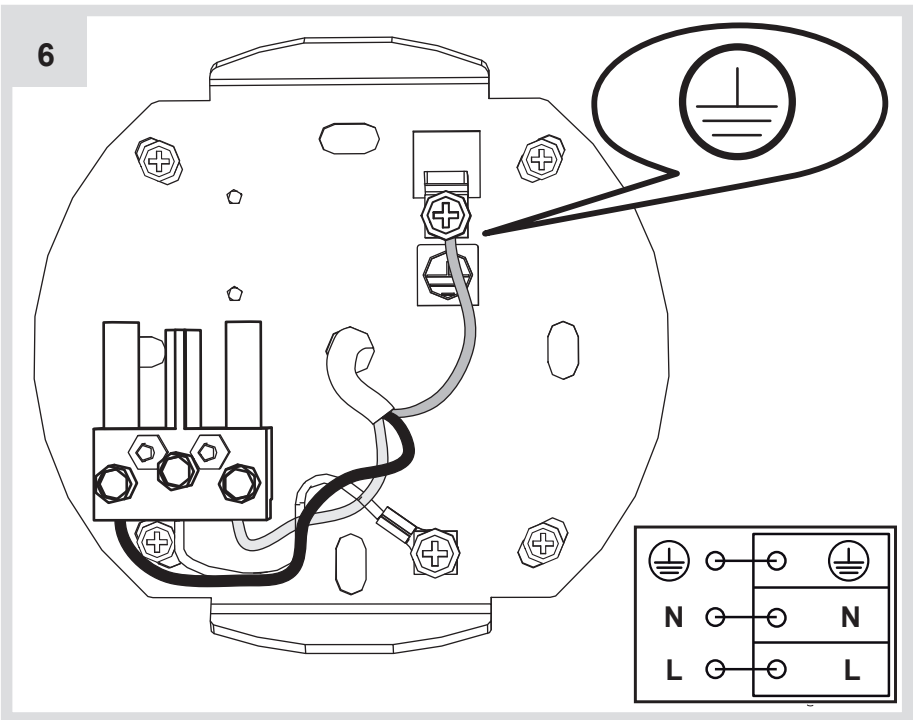
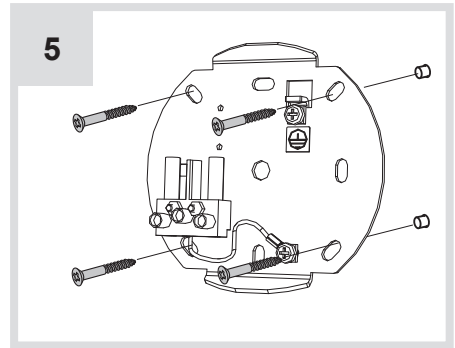
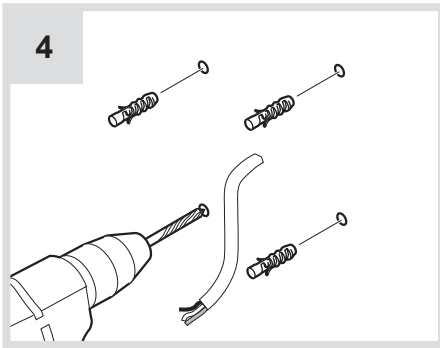
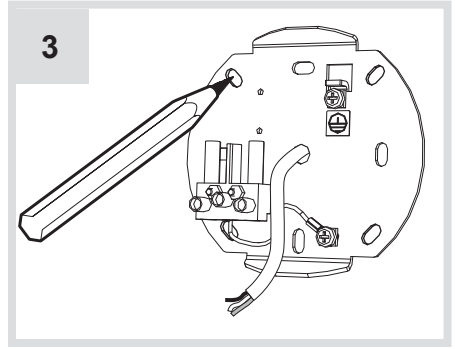
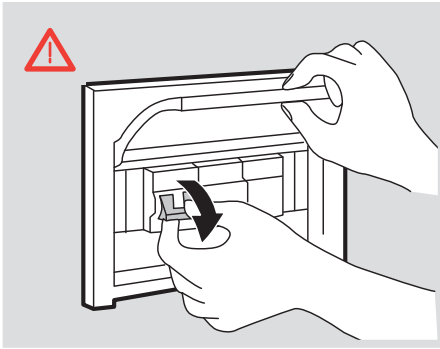


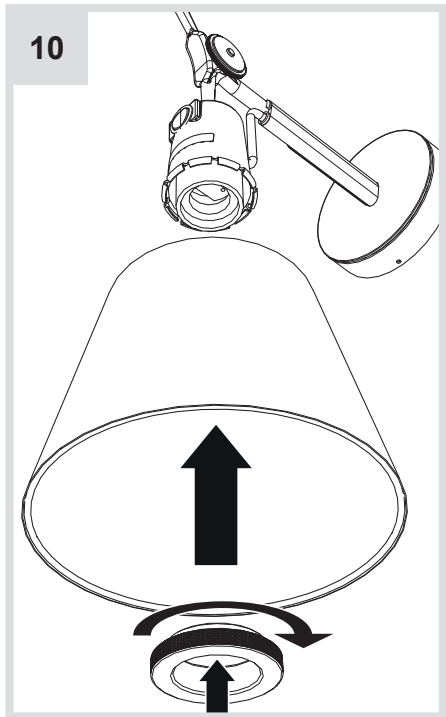
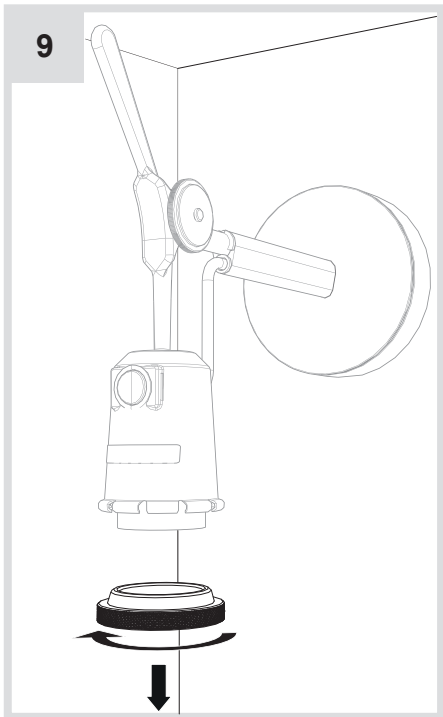
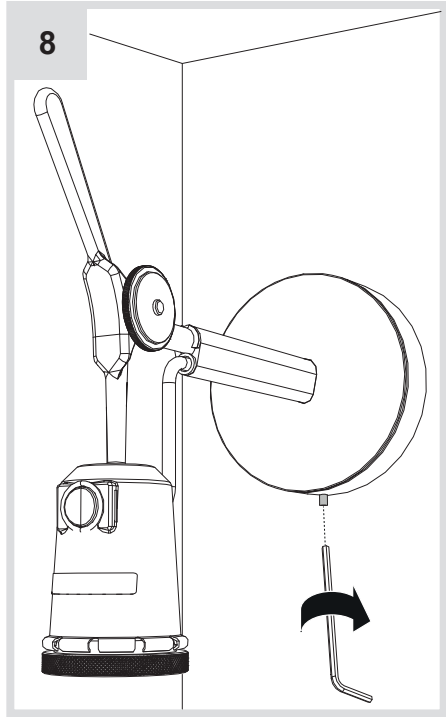
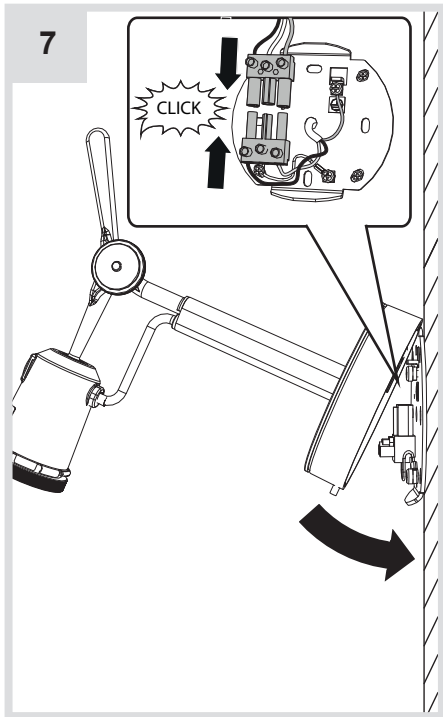
1

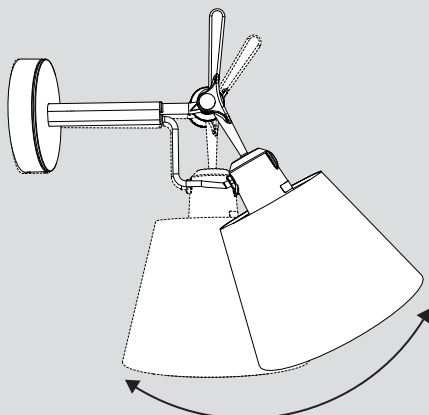
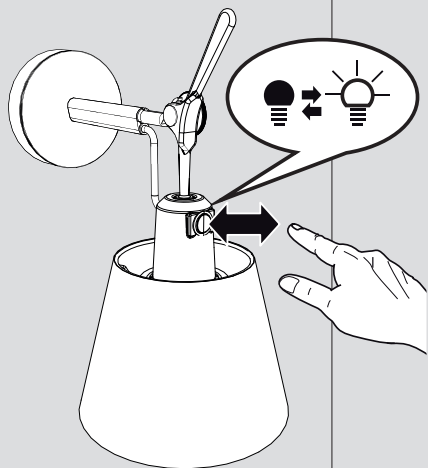


2





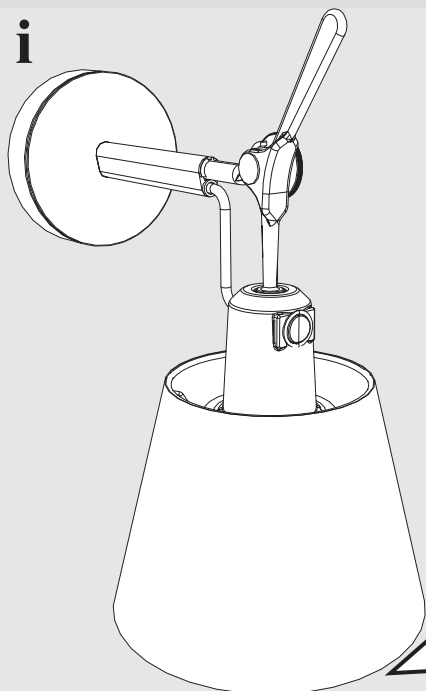




Max 30°



**i**



Ø  
**18**

**MAX 46W - E27**

Halo: HSGSA - 700 lm  
LED: DRAA - 800 lm

Ø  
**24**

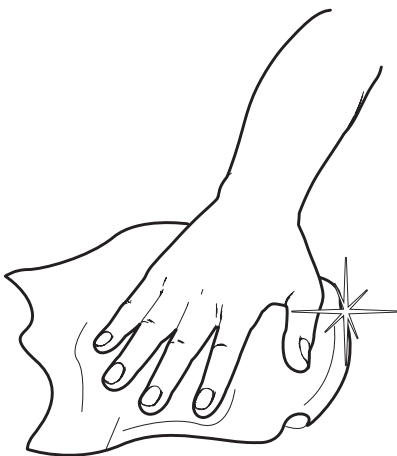
**MAX 100W - E27**

Halo: HSGST - 1800 lm  
LED: DRAA - 1950 lm

Ø  
**32**

**MAX 150W - E27**

Halo: HSGST - 2900 lm  
LED: DRAA - 2500 lm



**Artemide®**



## **Artemide**

via Bergamo, 18  
20010 Pregnana M.se (MI)  
ITALIA

tel. +39 02 935 181  
fax +39 02 935 90 254  
fax +39 02 935 90 496

[www.artemide.com](http://www.artemide.com)

VAT IT00846890150

cod. Y513000513A