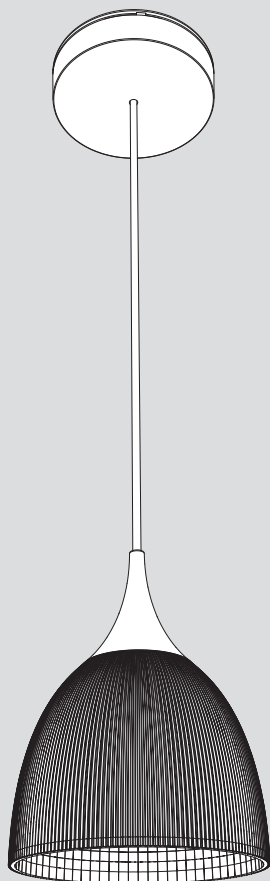


# Artemide®

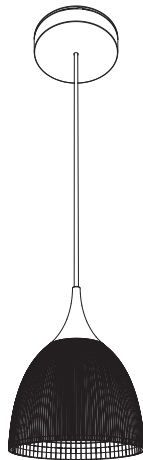
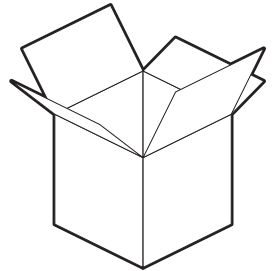
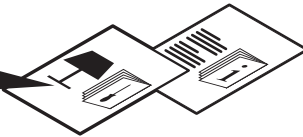
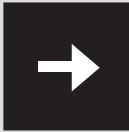
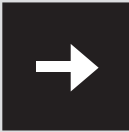
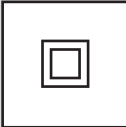
## Lana

design  
C. de Bevilacqua





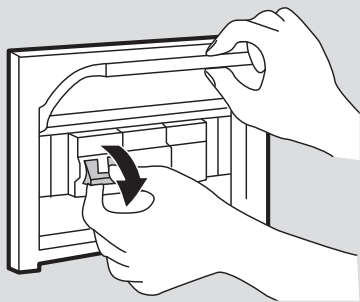
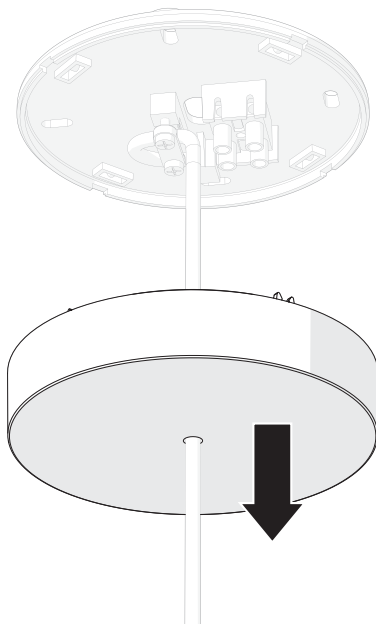
i



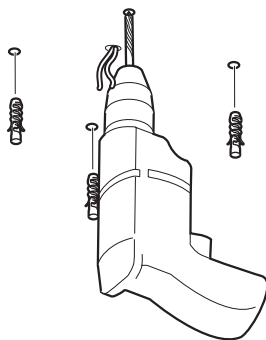
1



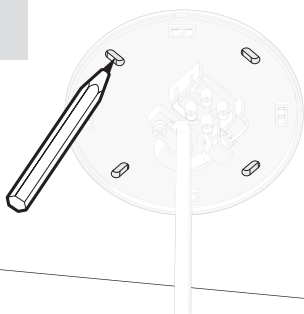
2



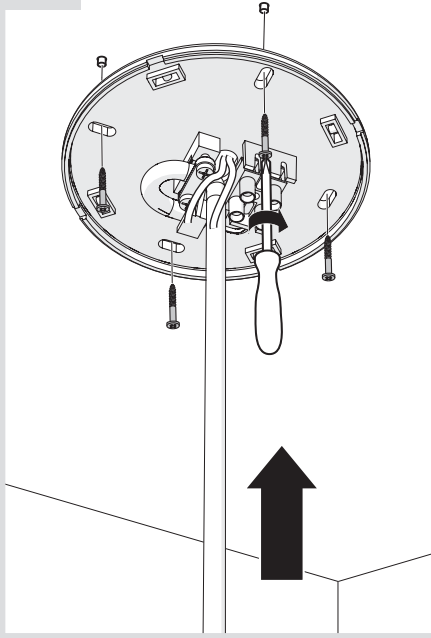
4



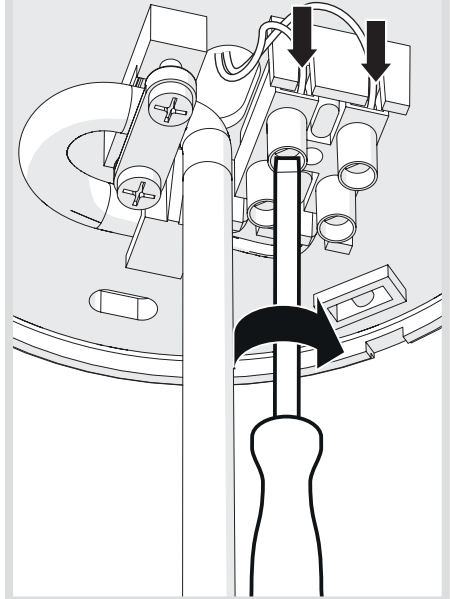
3



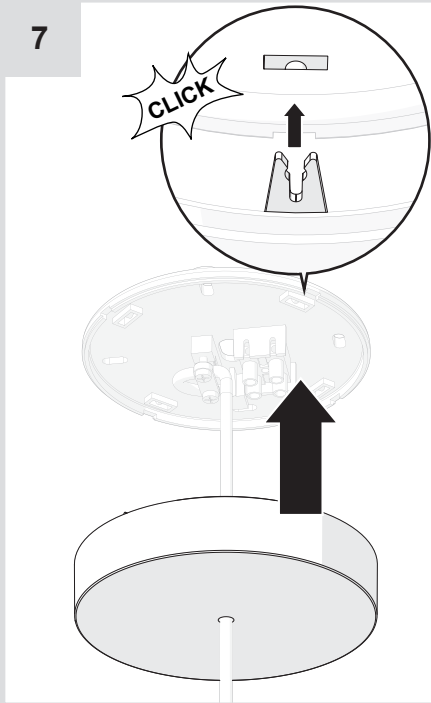
5



6



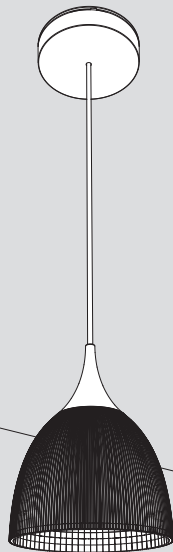
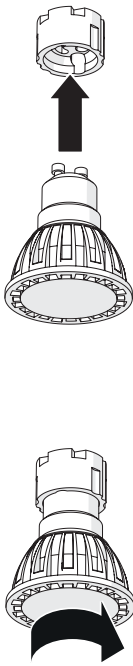
7

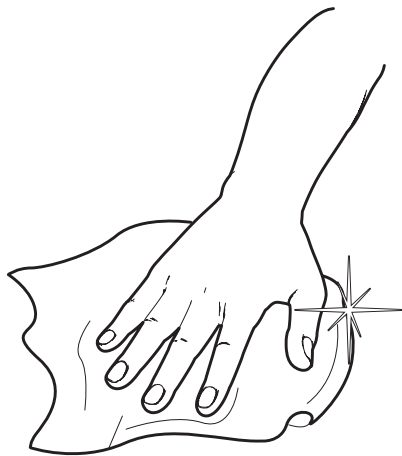
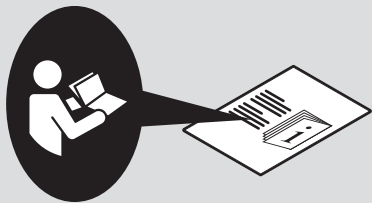


8



9







**Artemide®**



## **Artemide**

via Bergamo, 18  
20010 Pregnana M.se (MI)  
ITALIA

tel. +39 02 935 181  
fax +39 02 935 90 254  
fax +39 02 935 90 496

[www.artemide.com](http://www.artemide.com)

VAT IT00846890150

cod. Y513000412