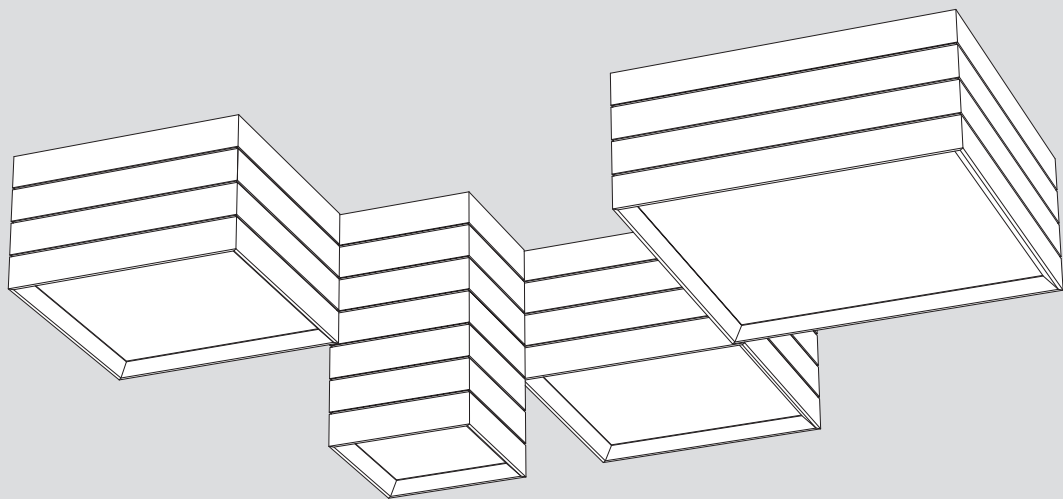


Artemide®

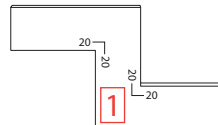
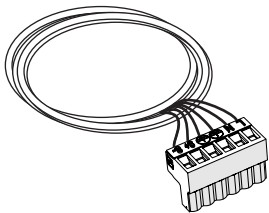
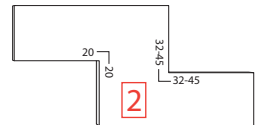
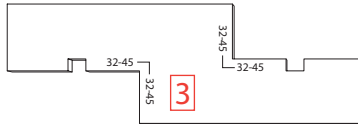
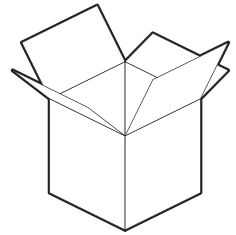
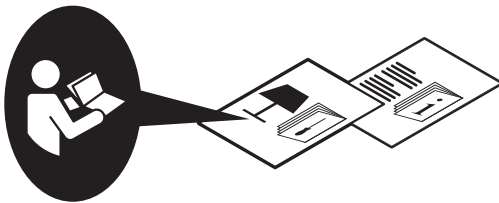
Groupage

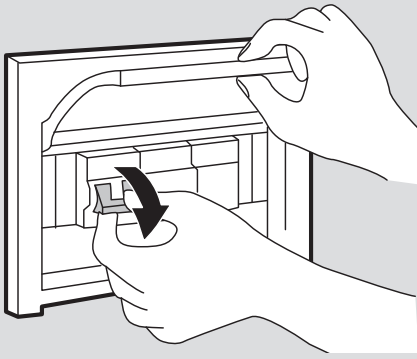
design
E. Gismondi
D. Moioli



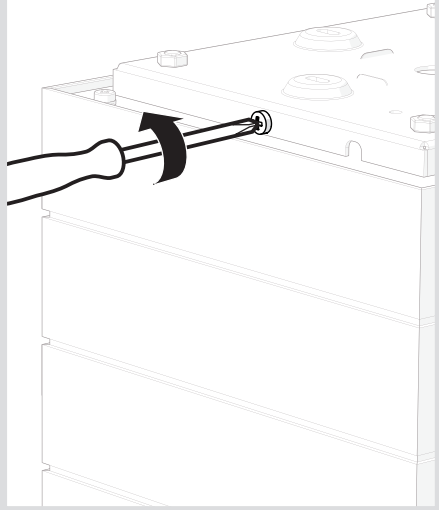


i

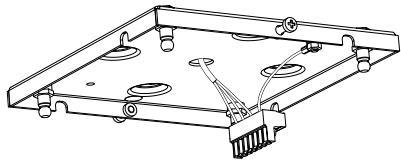
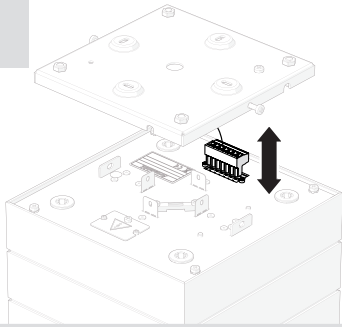




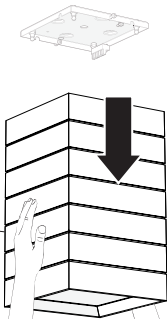
1



2

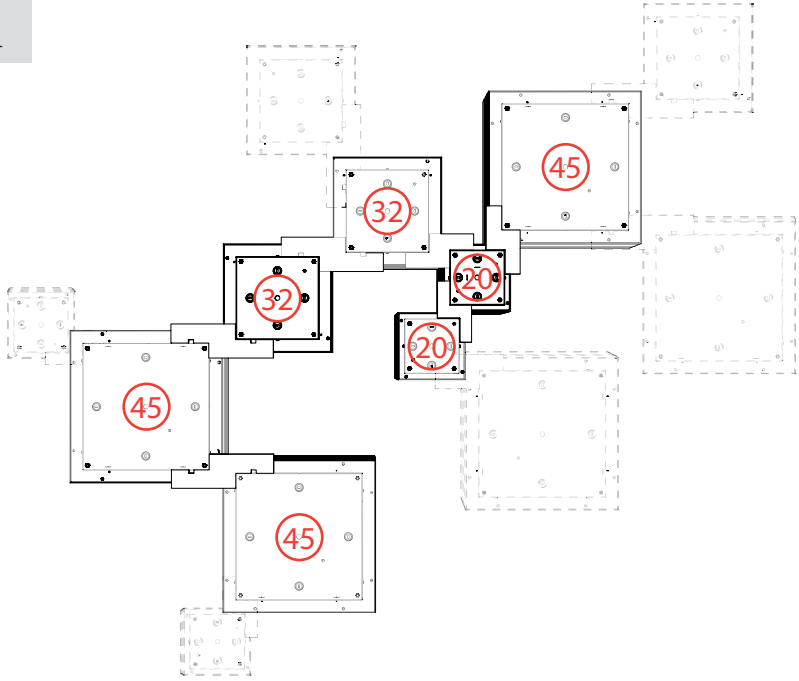


3





i



i

20 - 20 ➔ 1

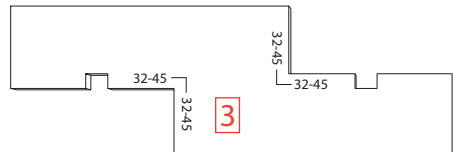
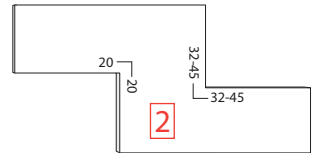
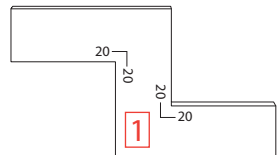
20 - 32 ➔ 2

20 - 45 ➔ 2

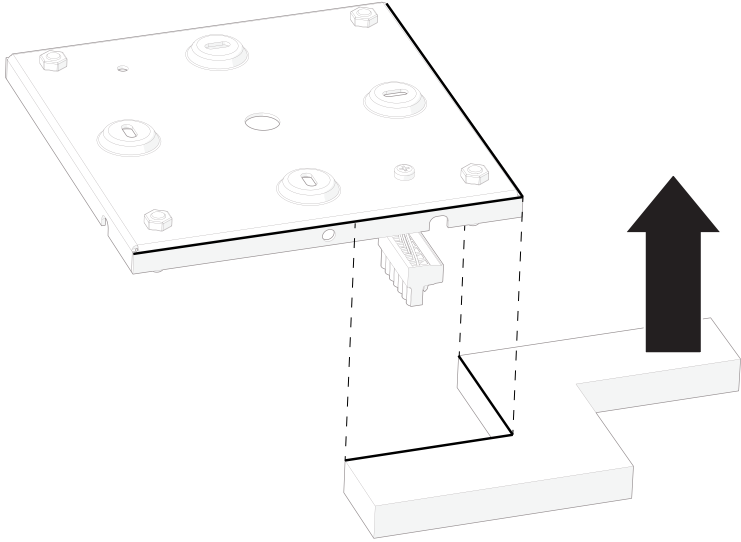
32 - 32 ➔ 3

32 - 45 ➔ 3

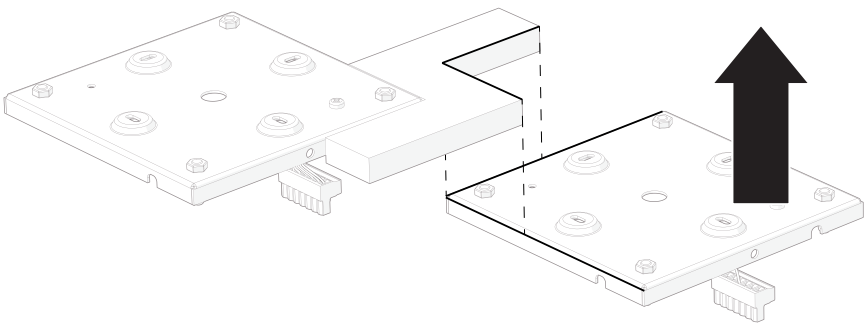
45 - 45 ➔ 3



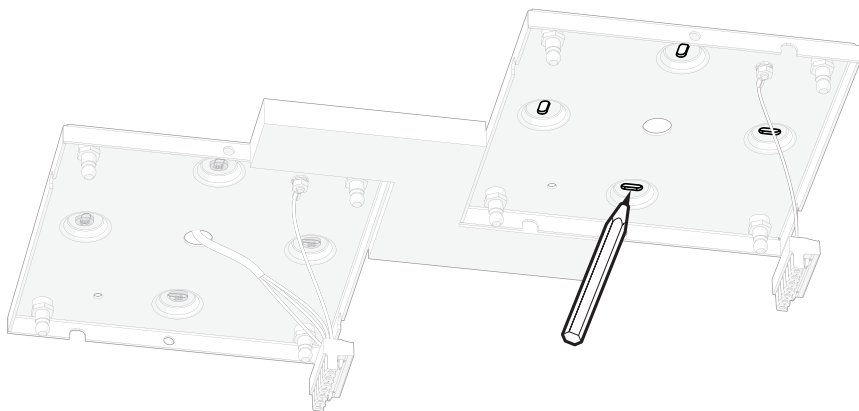
4



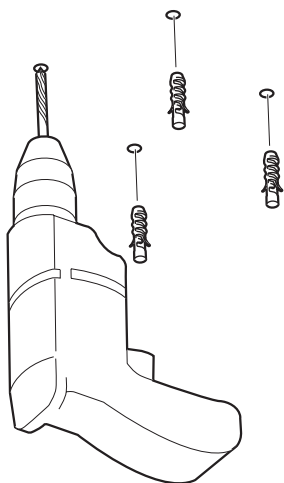
5



6



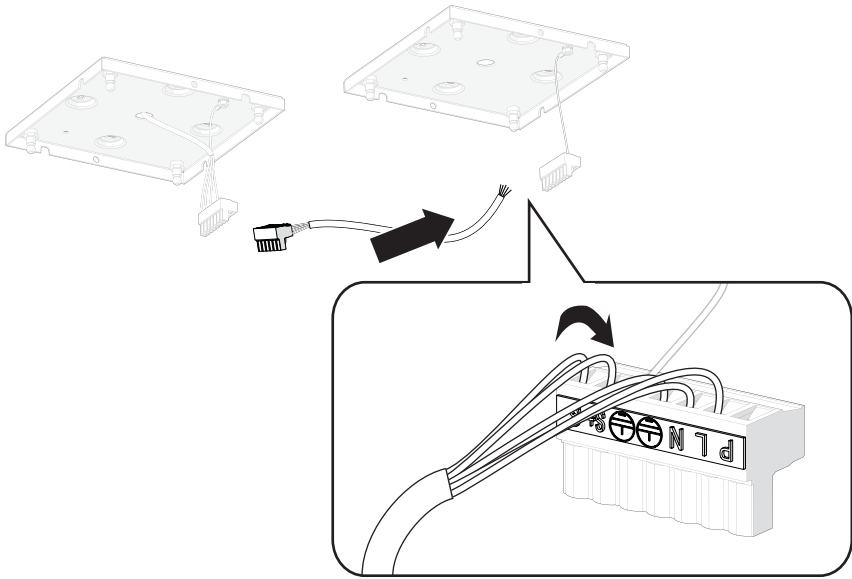
7



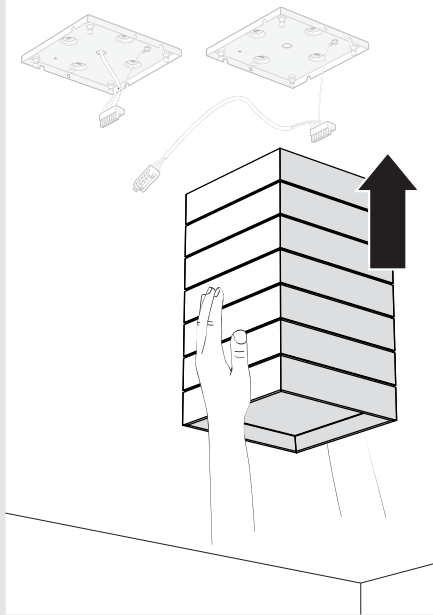
8



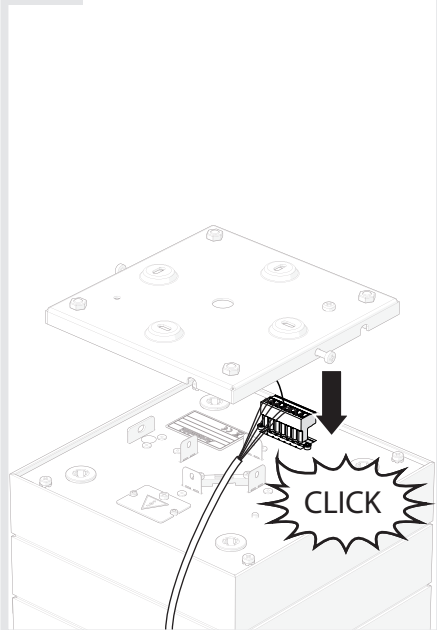
9



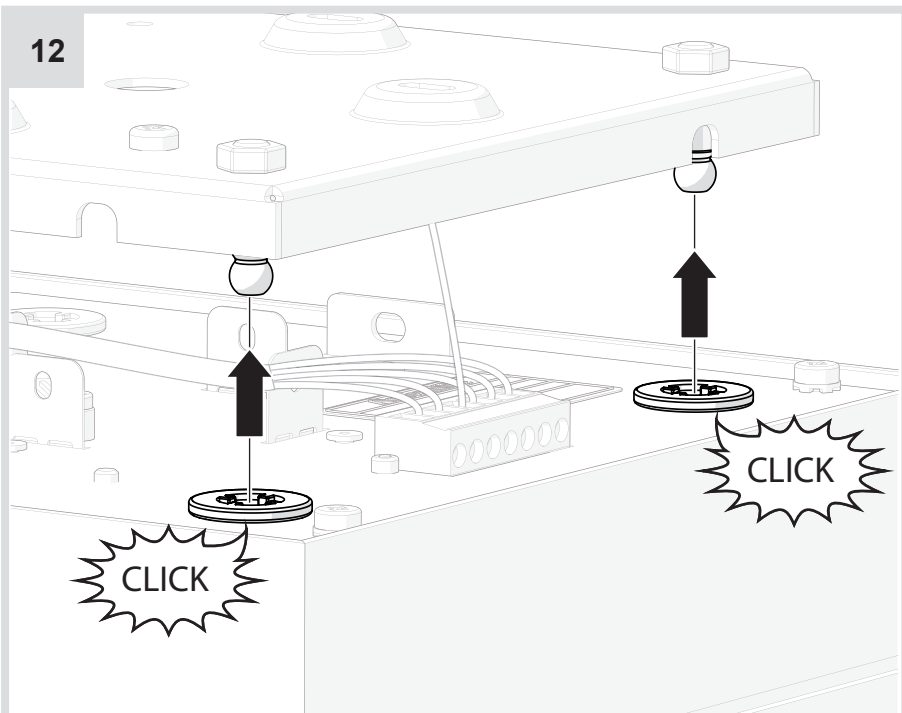
10



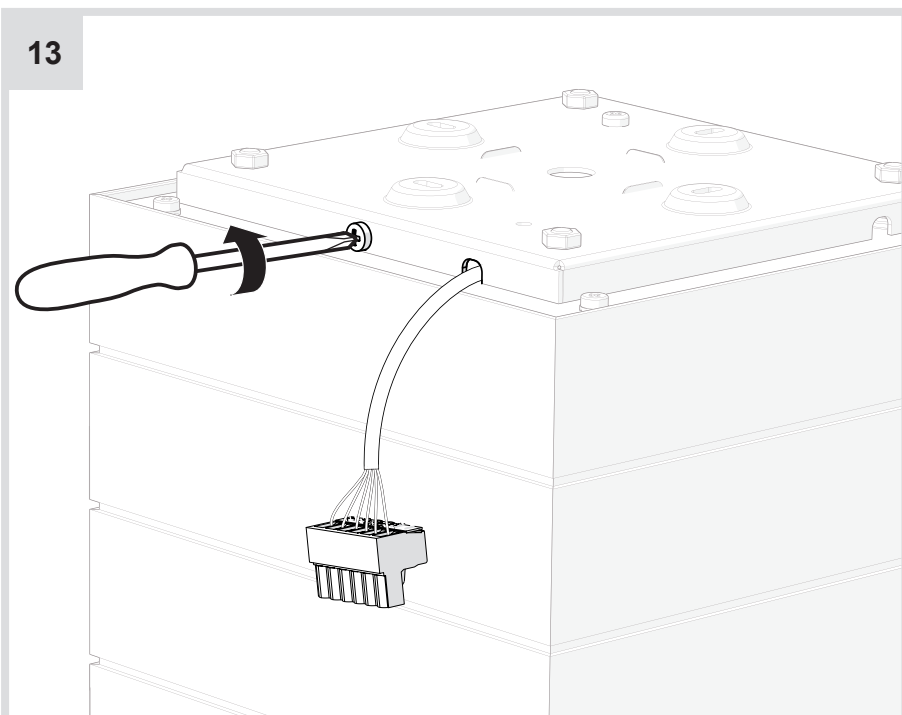
11

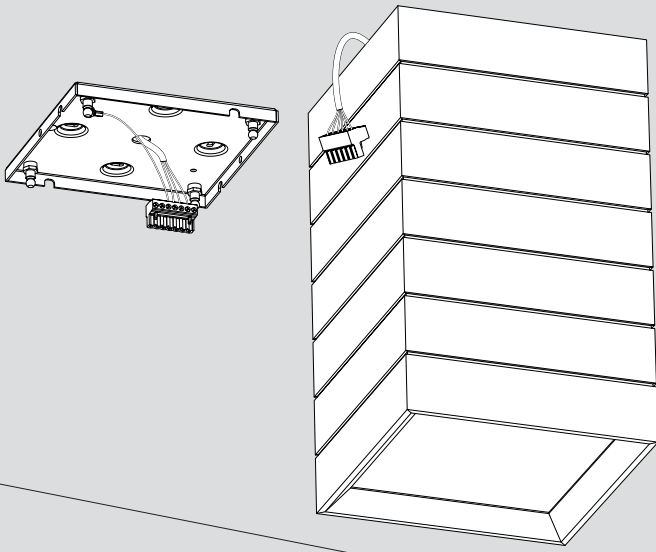


12

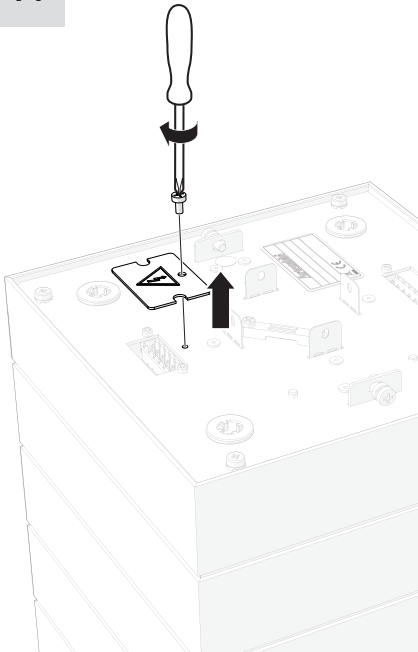


13

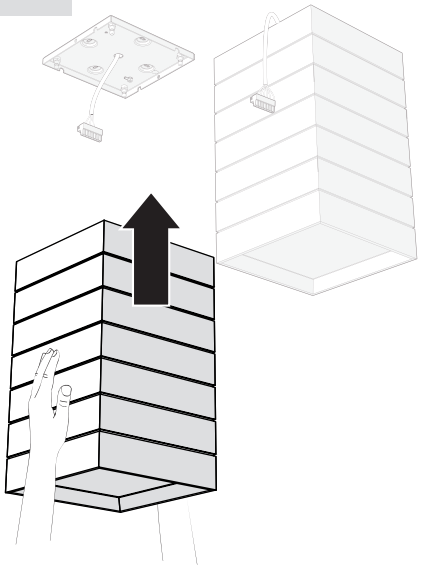




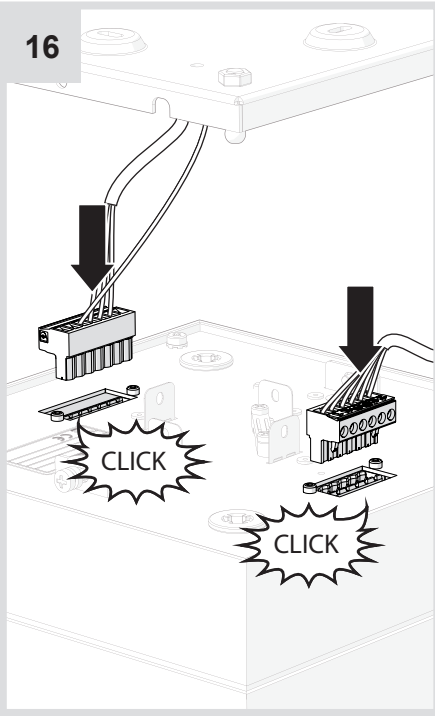
14



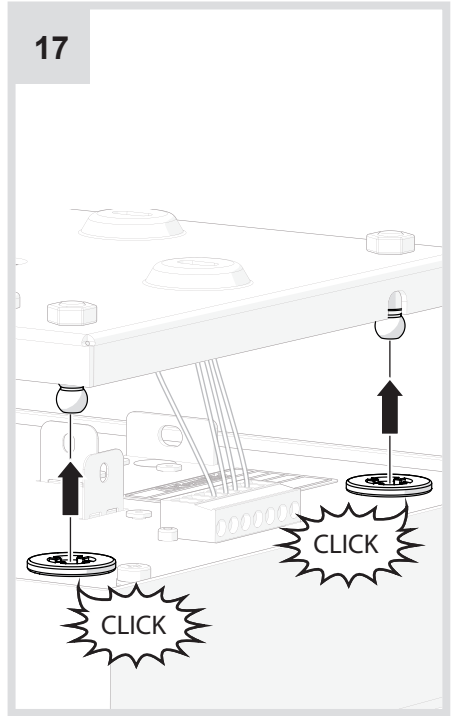
15



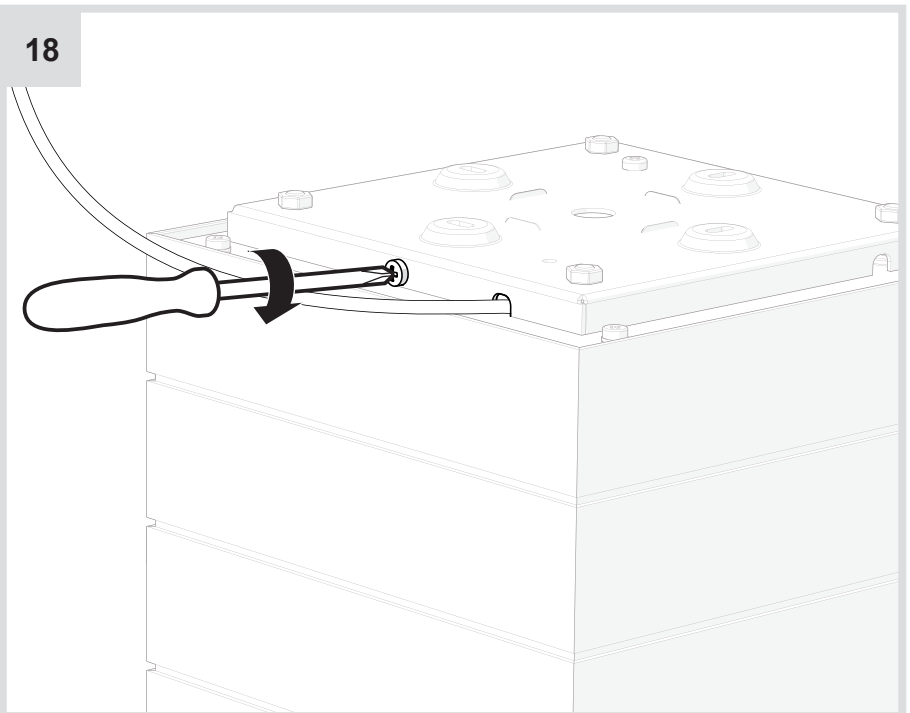
16

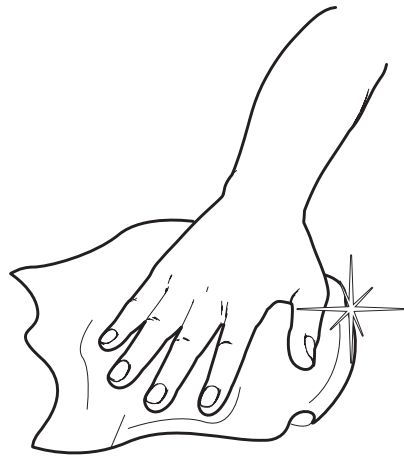
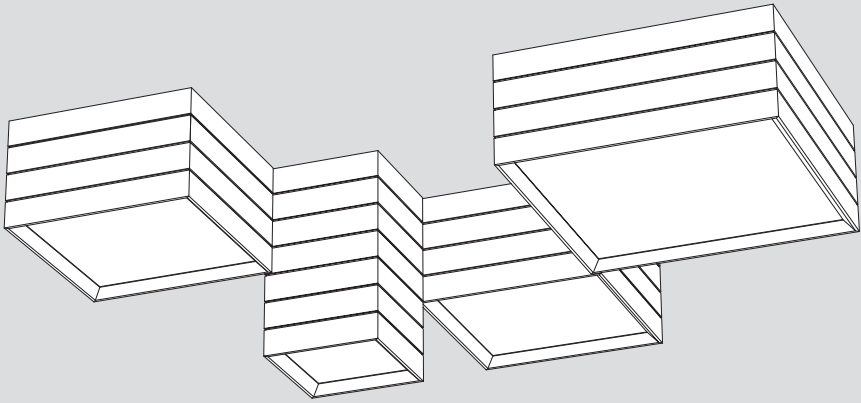


17

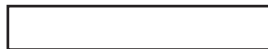


18





Artemide®



Artemide

via Bergamo, 18
20010 Pregnana M.se (MI)
ITALIA

tel. +39 02 935 181
fax +39 02 935 90 254
fax +39 02 935 90 496

www.artemide.com

VAT IT00846890150

cod. Y513000260A