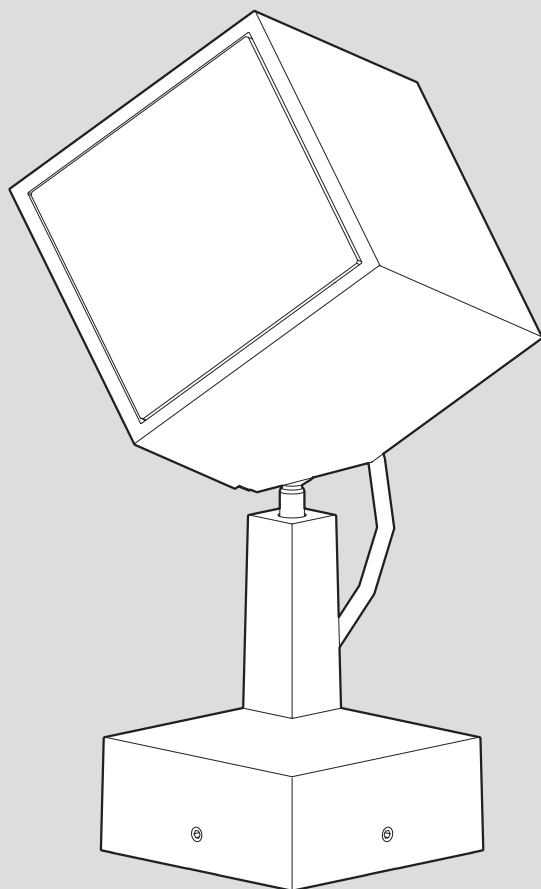


Artemide®

Epulo

design
Ernesto Gismondi

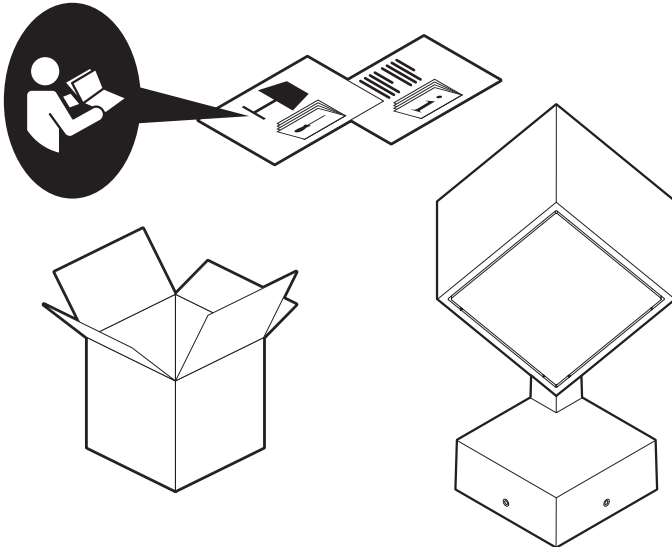




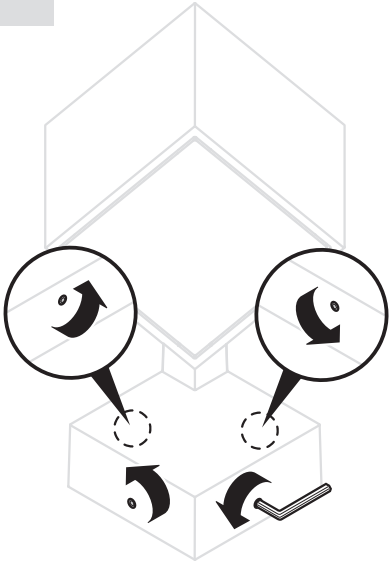
i



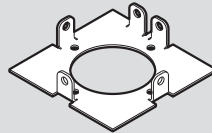
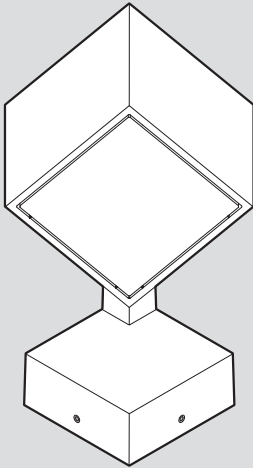
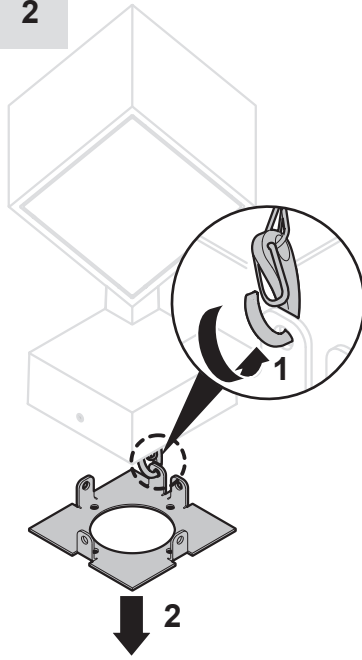
LED1

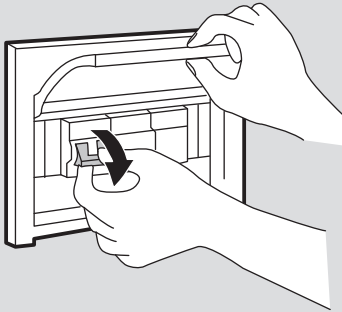


1

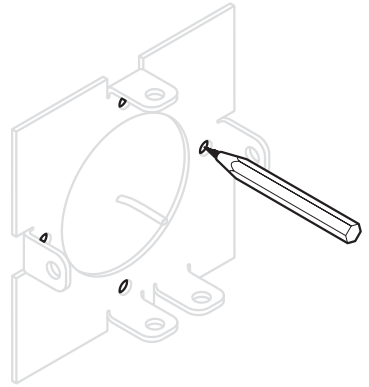


2

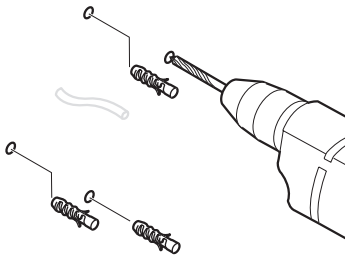




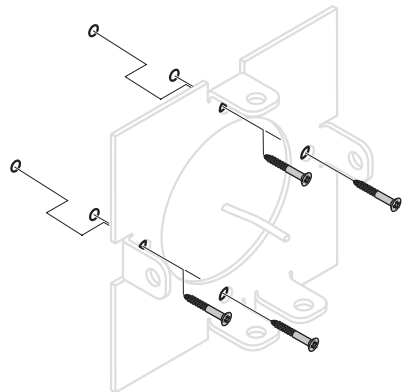
3

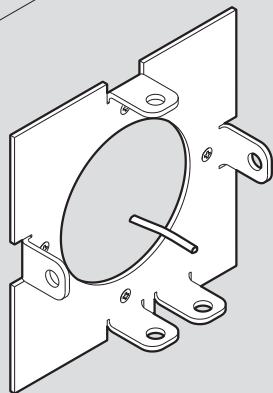


4

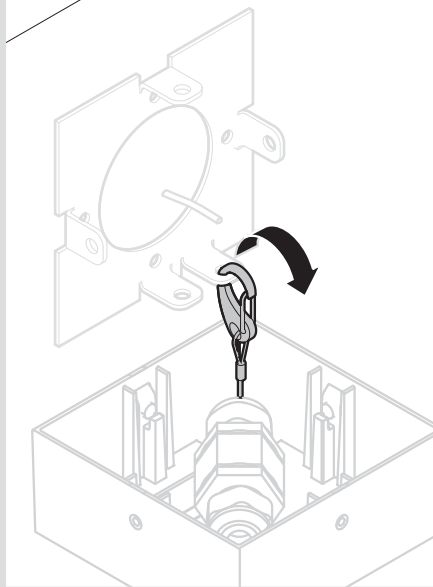


5

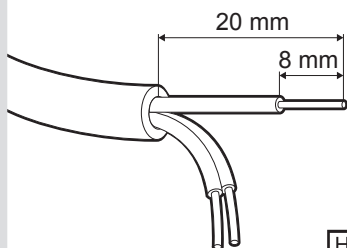




6

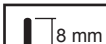


7

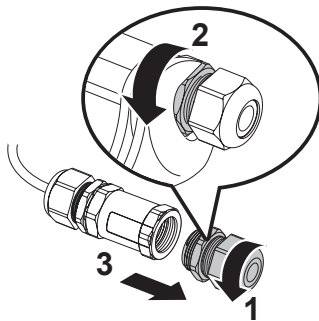


H05RN-F
H07RN-F

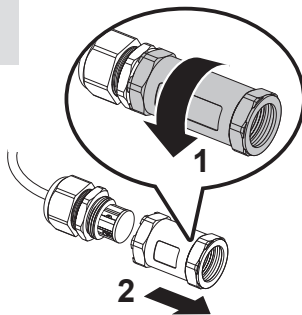
Ø 5-13,5

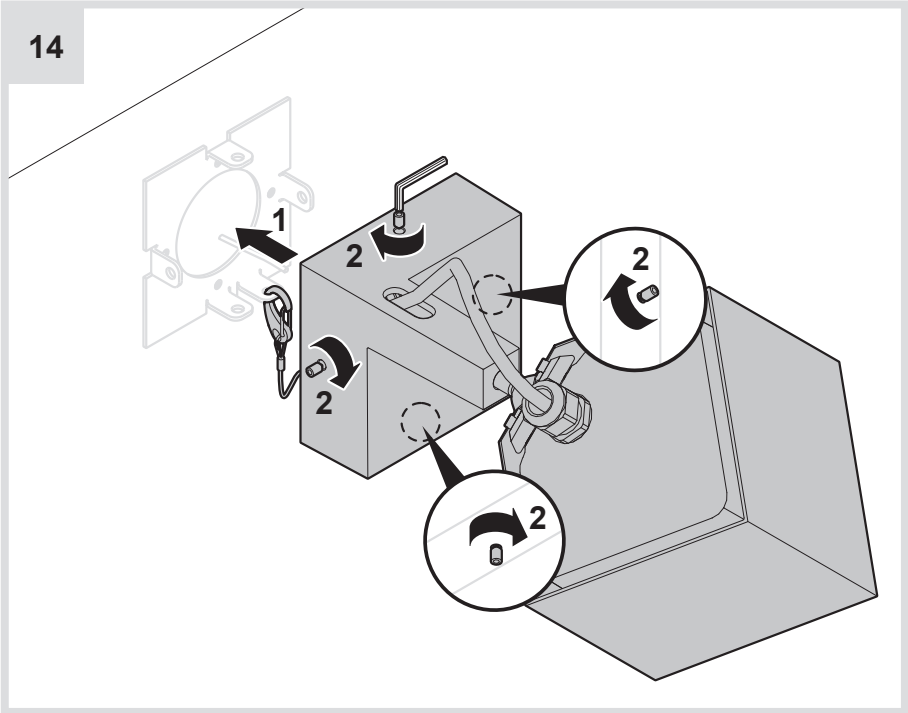
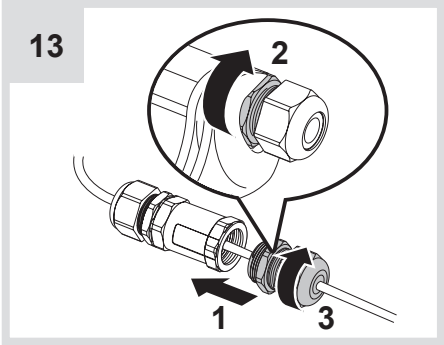
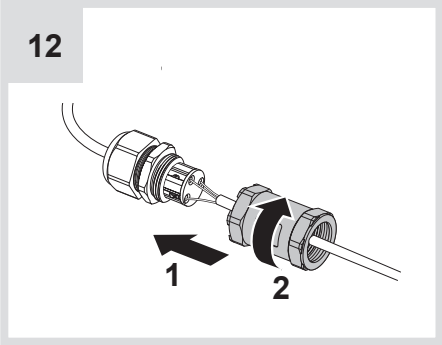
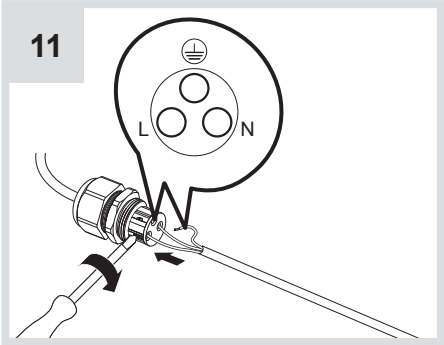
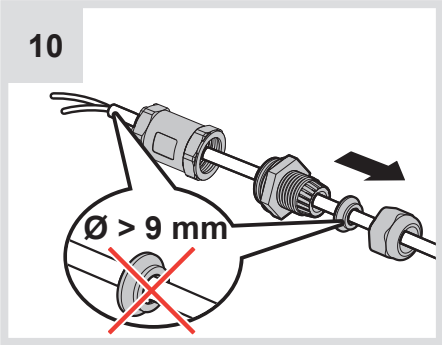

8 mm

8

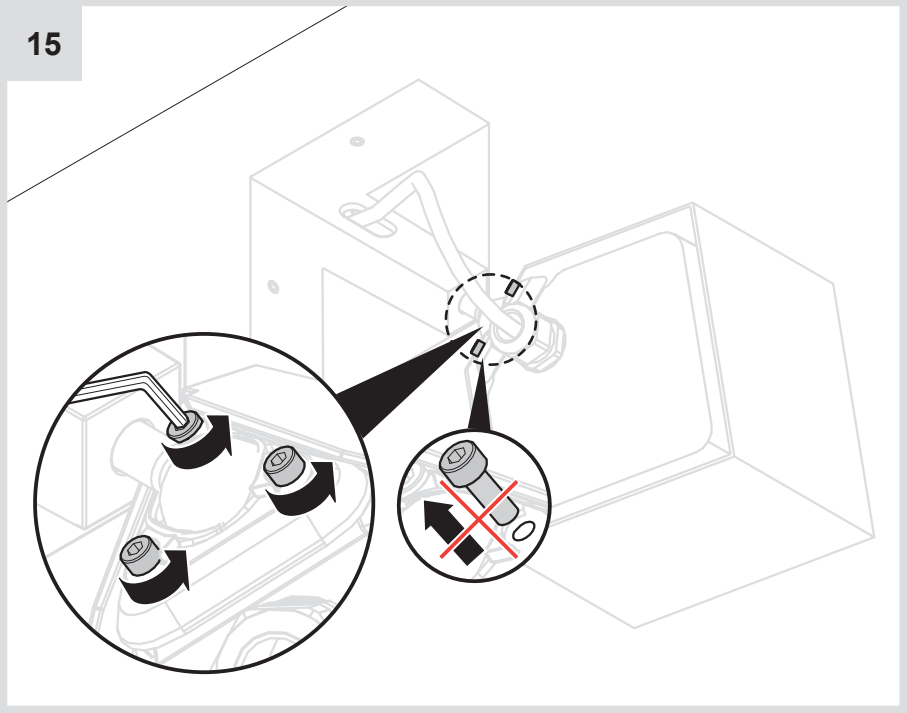


9

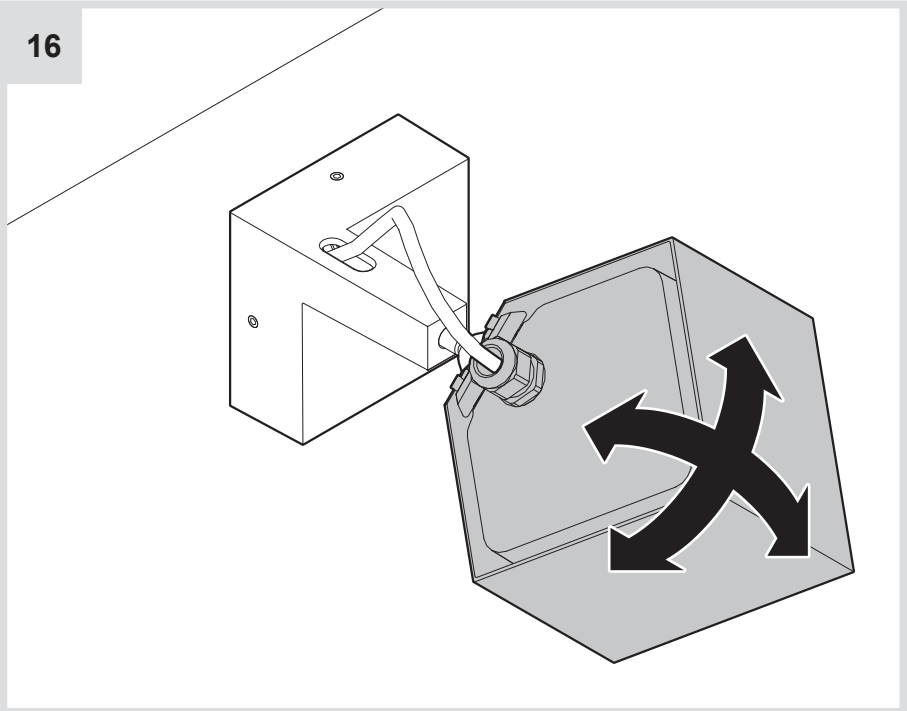




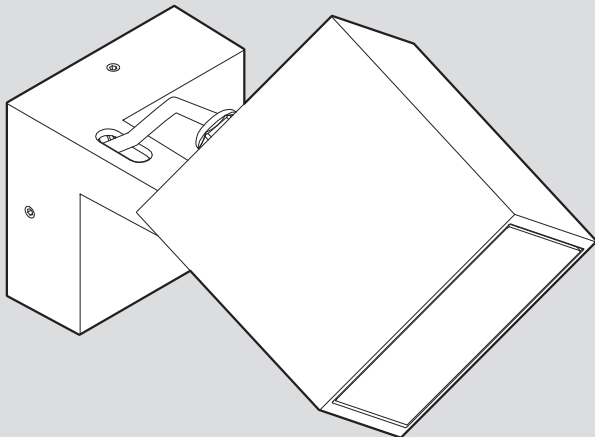
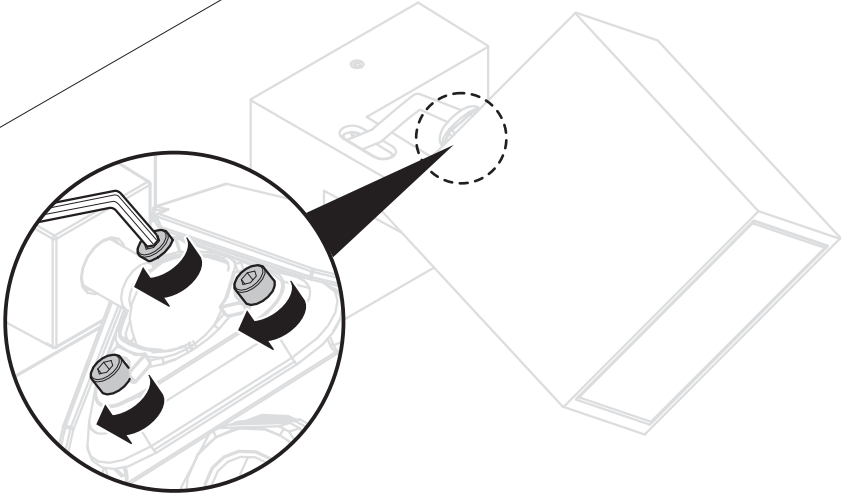
15



16

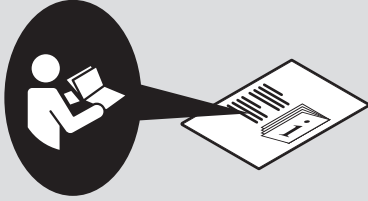


17

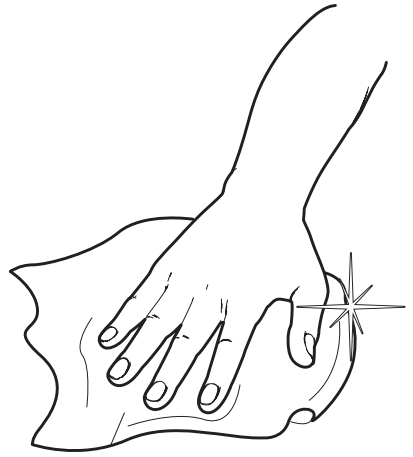




i



1



Artemide®



Artemide

via Bergamo, 18
20010 Pregnana M.se (MI)
ITALIA

tel. +39 02 935 181
fax +39 02 935 90 254
fax +39 02 935 90 496

www.artemide.com

VAT IT00846890150

cod. Y513000116B