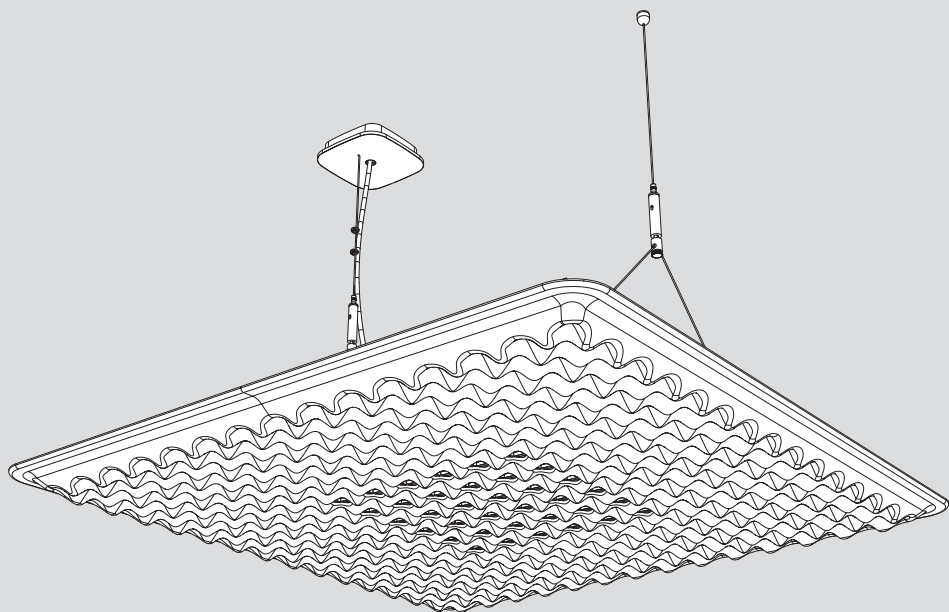


EGGBOARD MATRIX 800x800

design
Progetto CMR

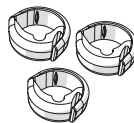
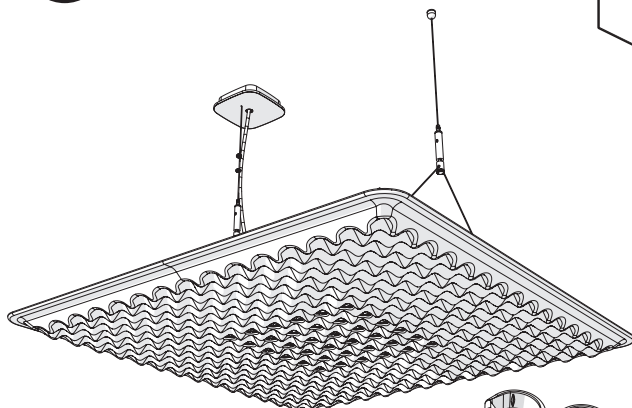
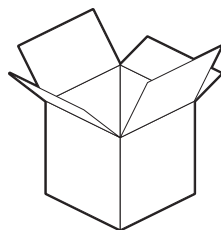
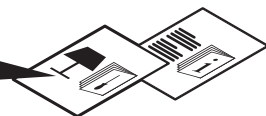
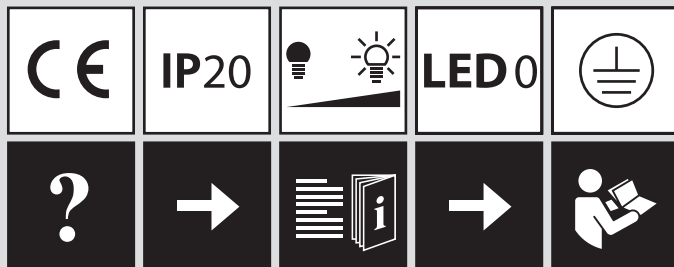


OUTDOOR

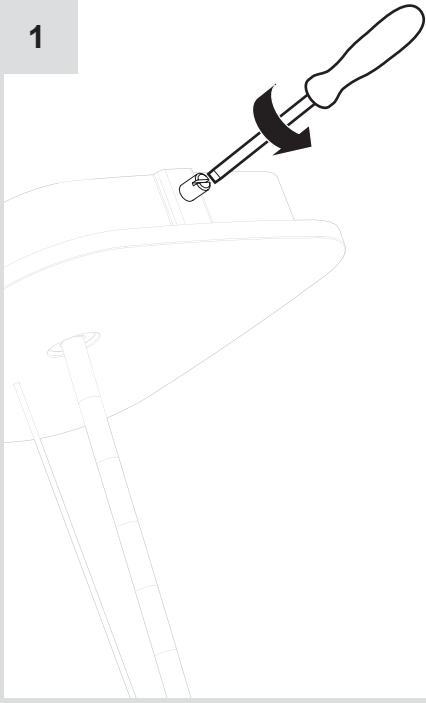




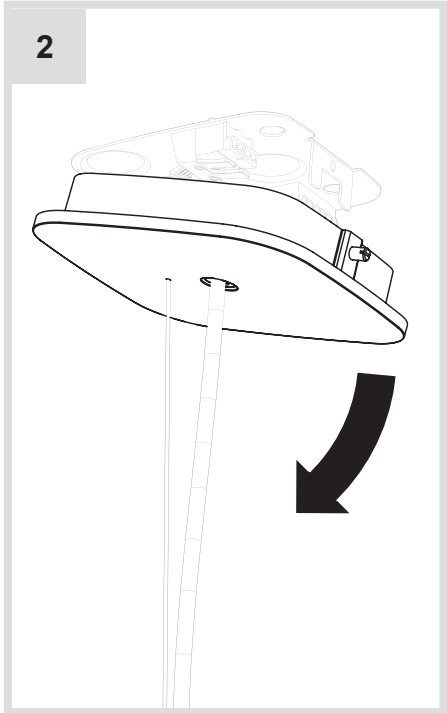
i



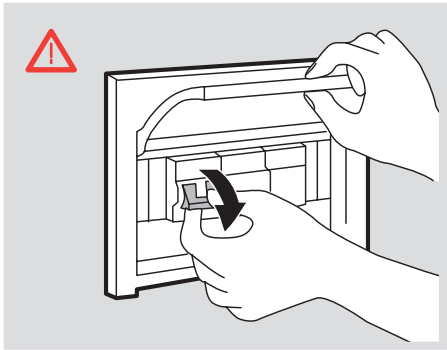
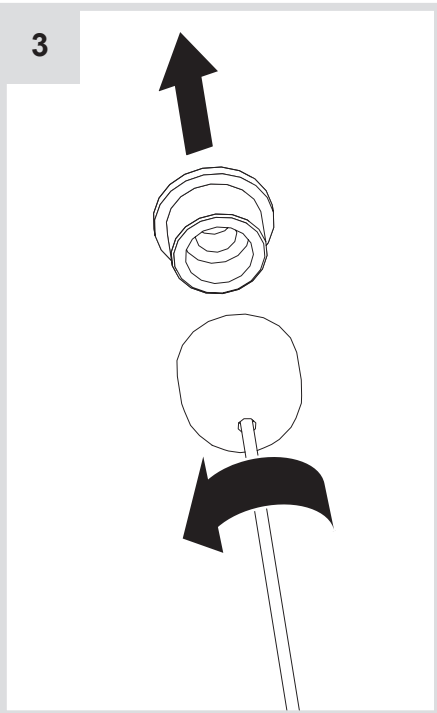
1



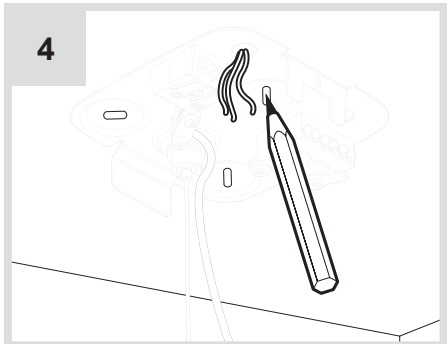
2



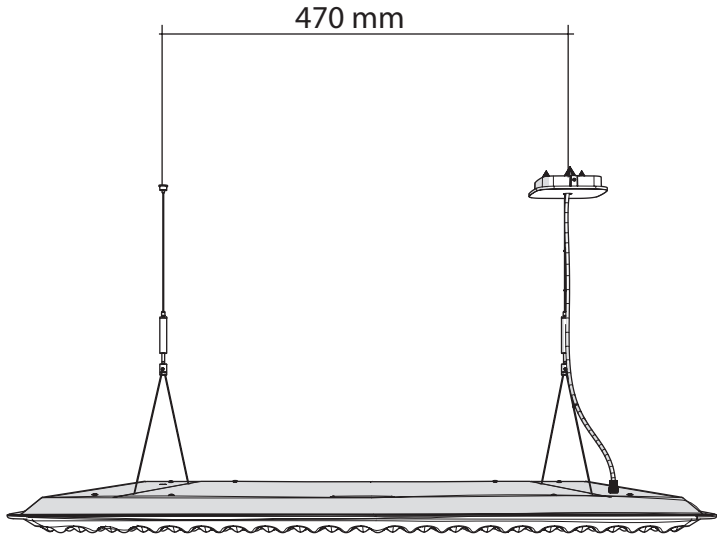
3



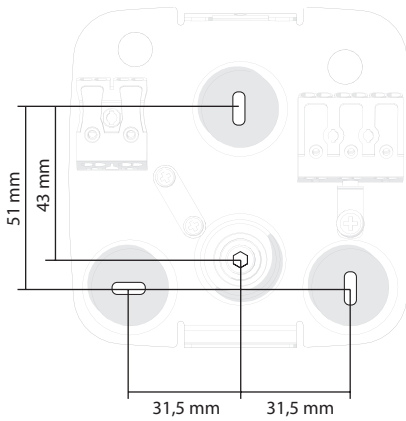
4



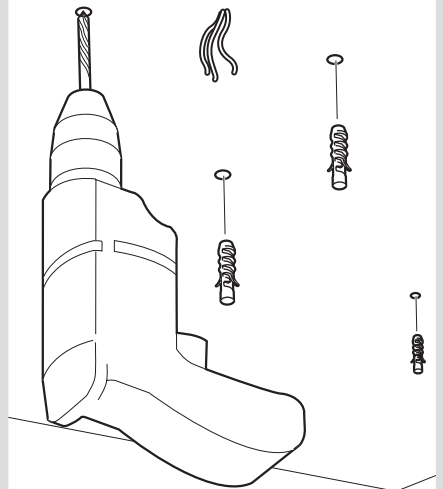
i

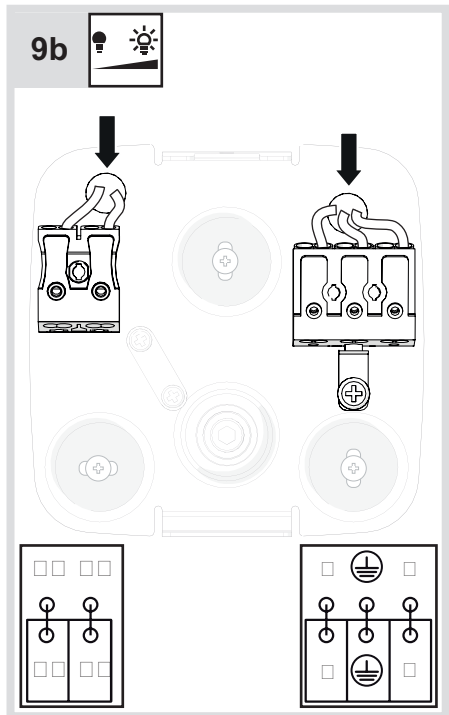
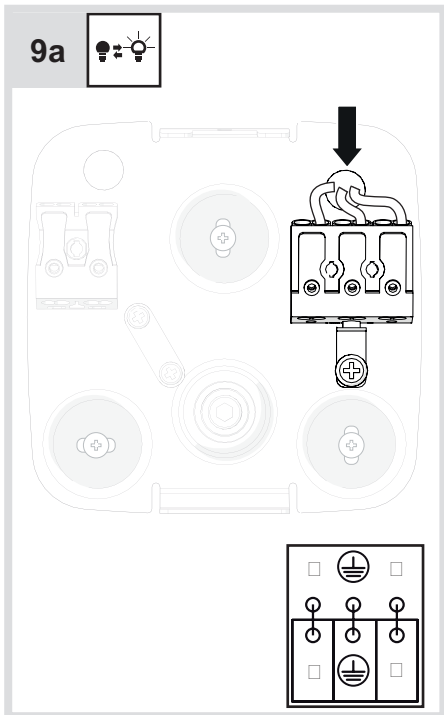
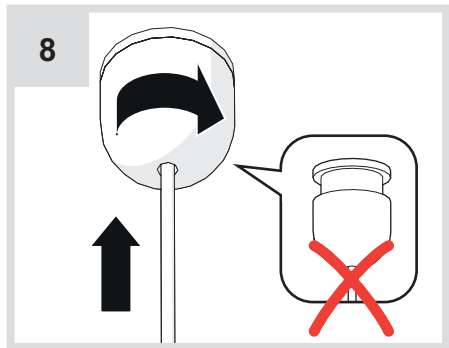
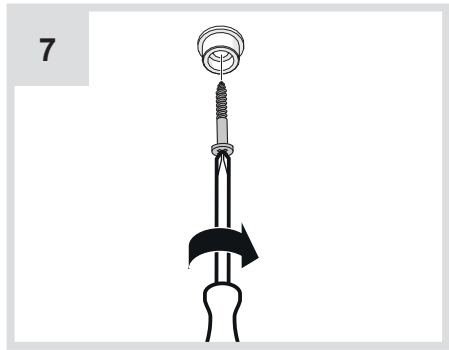
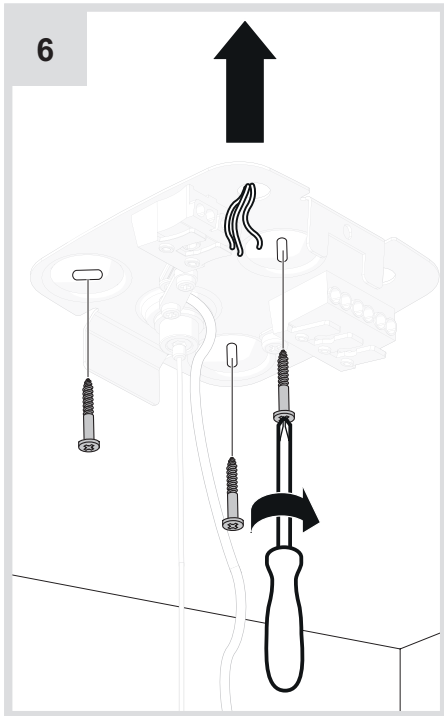


i

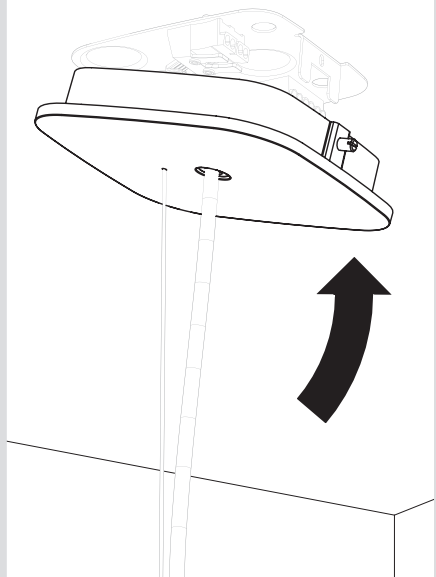


5

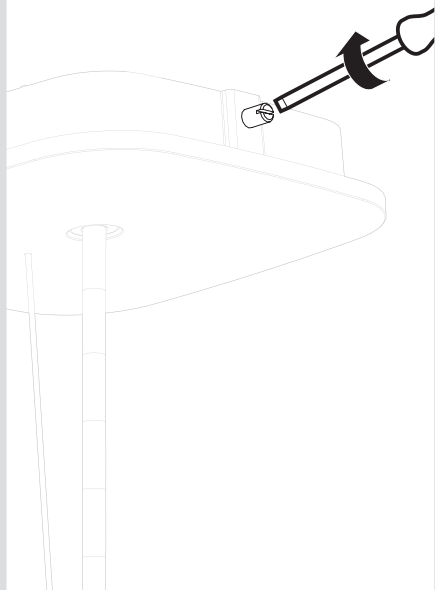




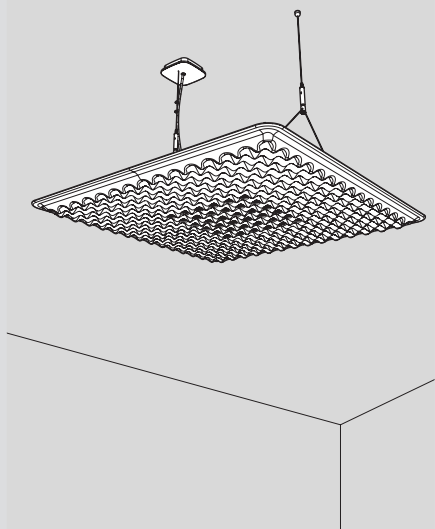
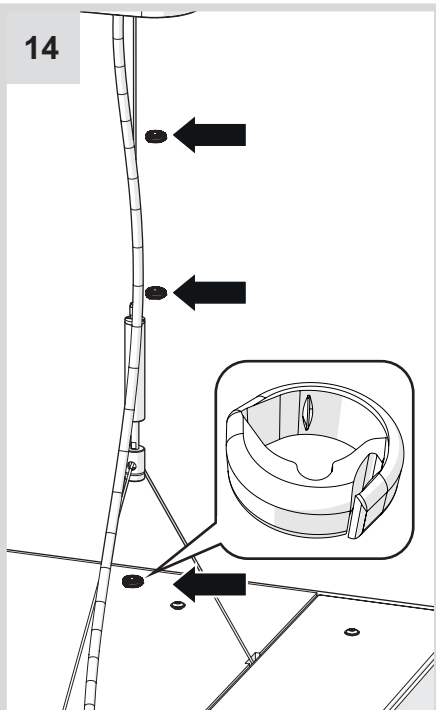
10



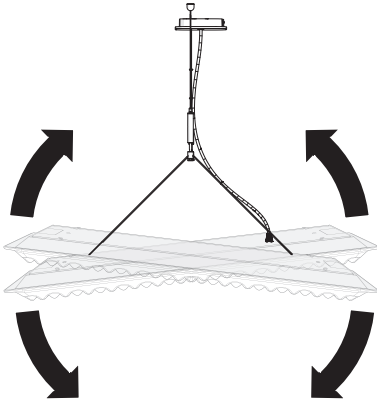
11



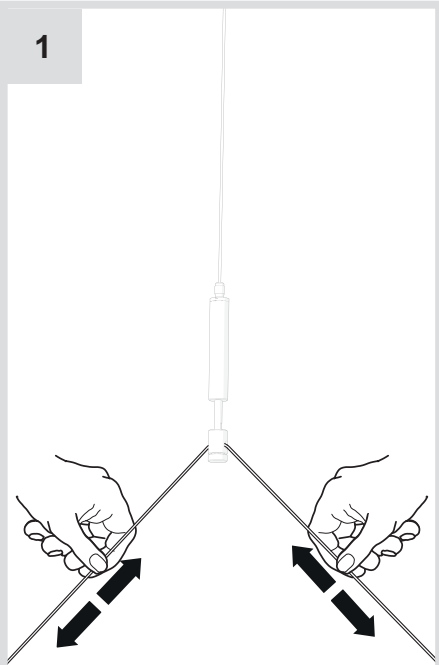
14



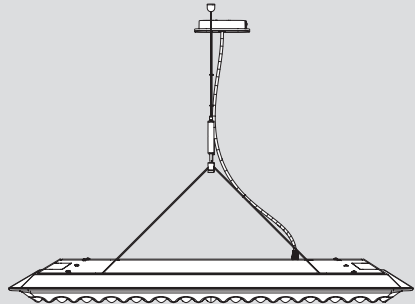
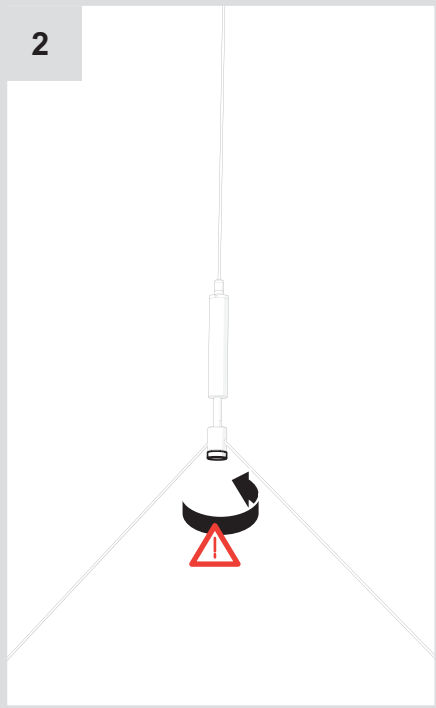
i



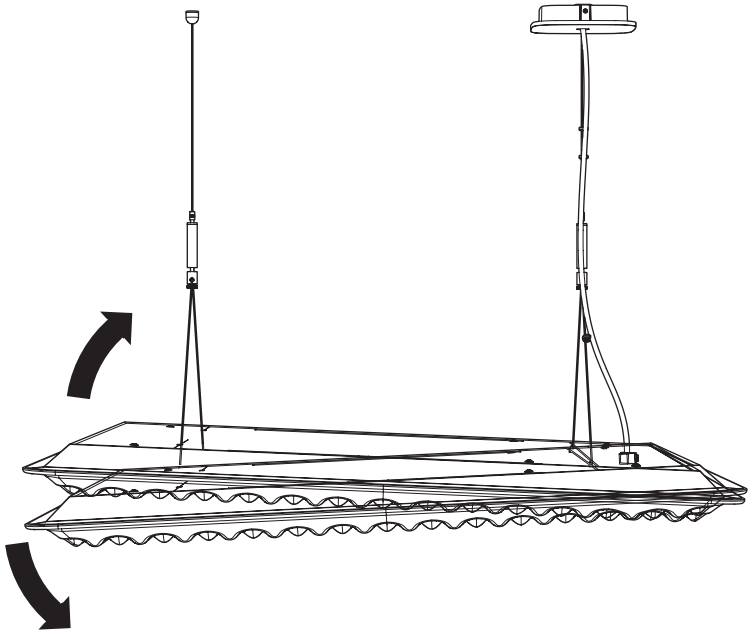
1



2



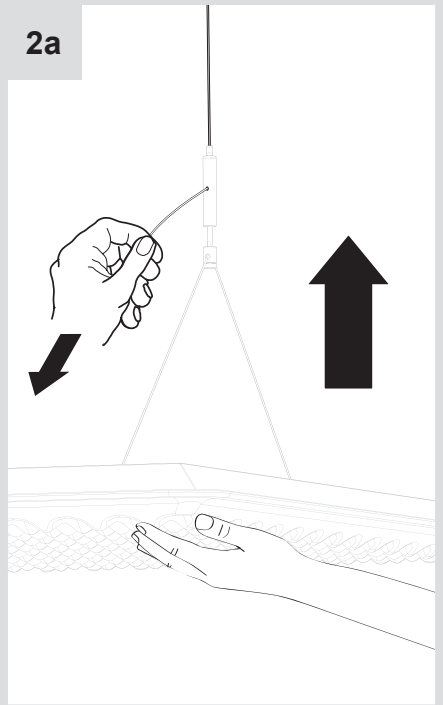
i



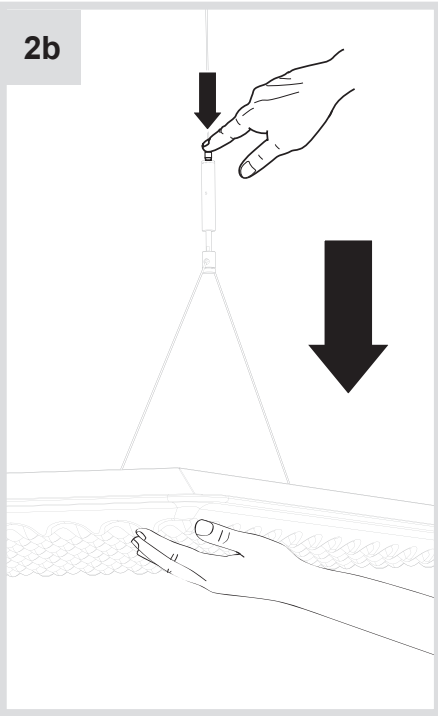
1



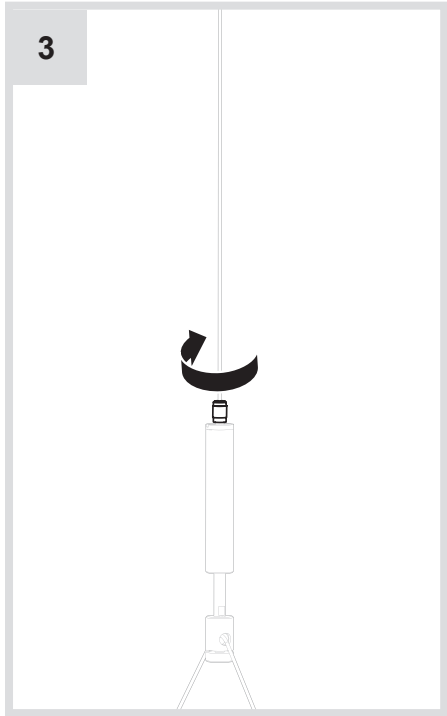
2a



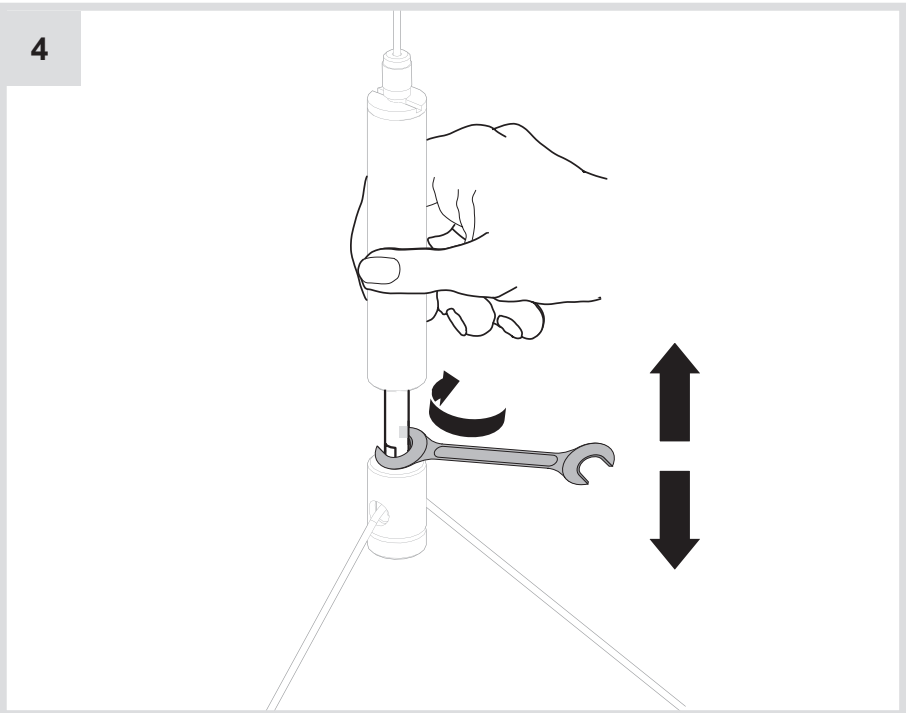
2b



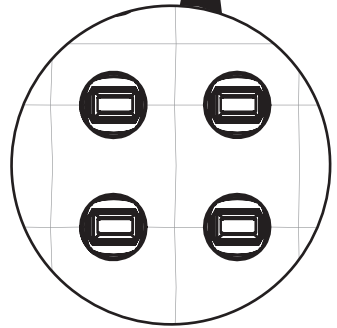
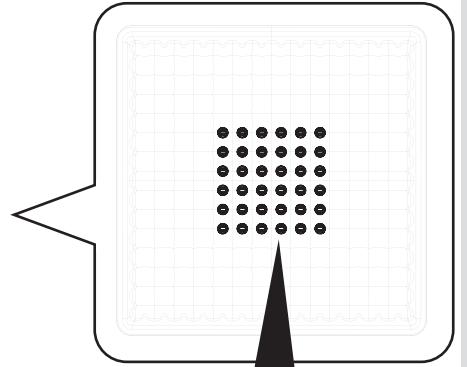
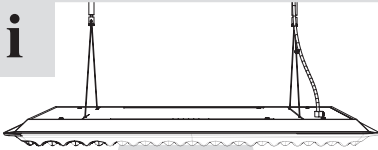
3



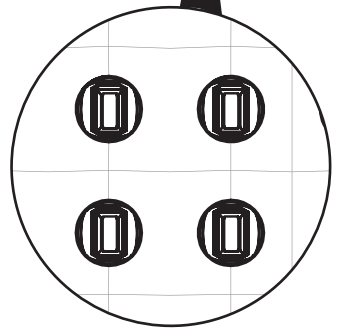
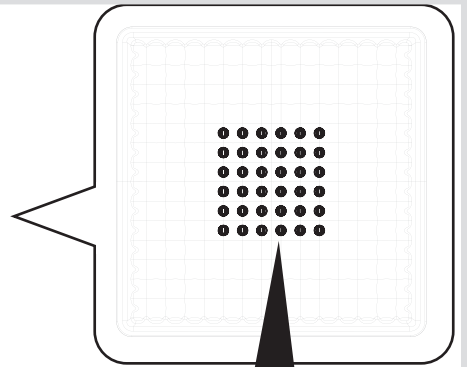
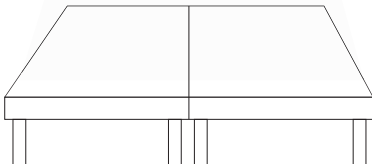
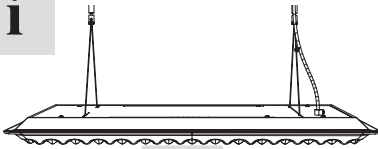
4

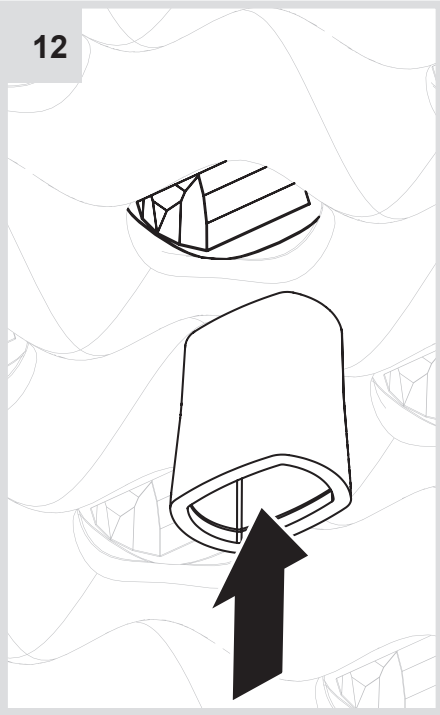


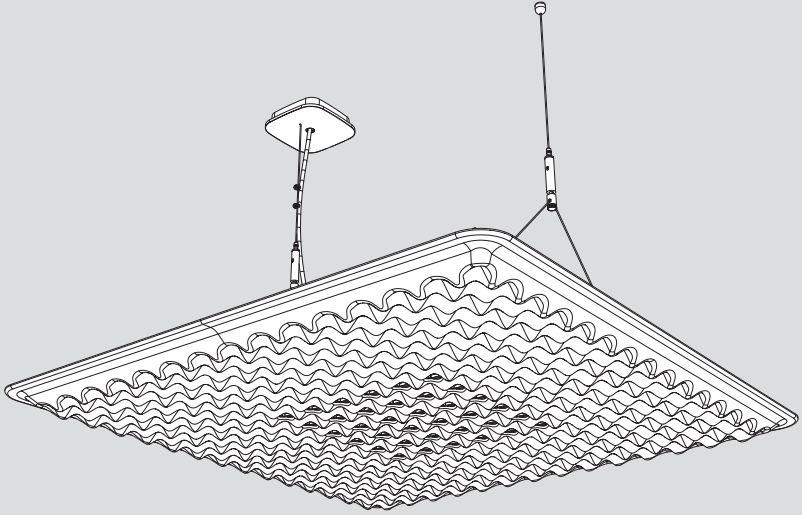
i

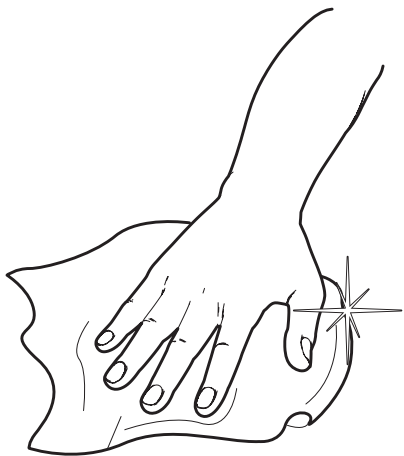


i

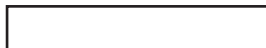








Artemide[®]
ARCHITECTURAL



Artemide

via Bergamo, 18
20010 Pregnana M.se (MI)
ITALIA

tel. +39 02 935 181
fax +39 02 935 90 254
fax +39 02 935 90 496

www.artemide.com

VAT IT00846890150

cod. Y513000437A