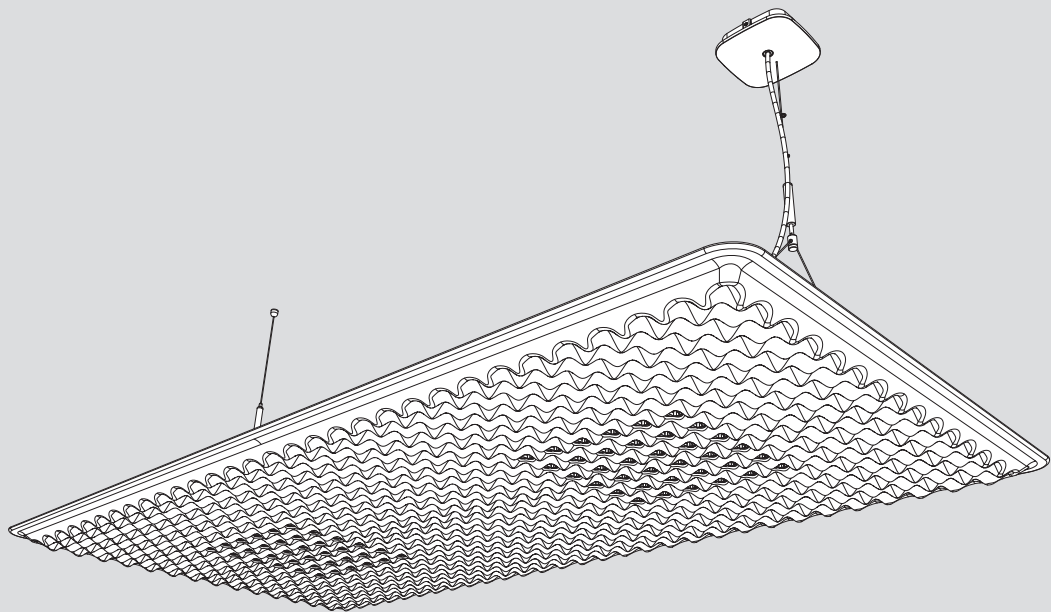


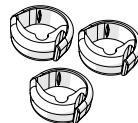
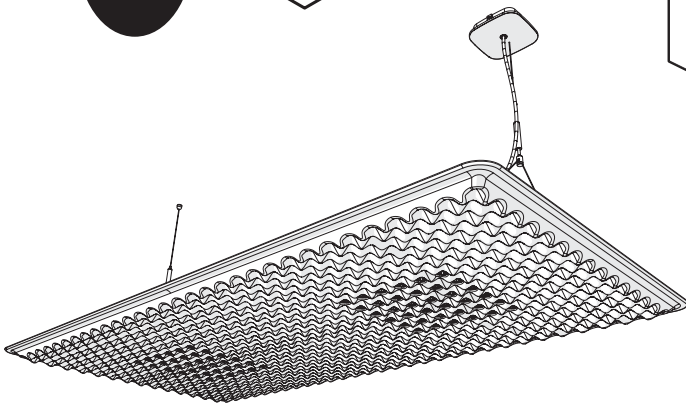
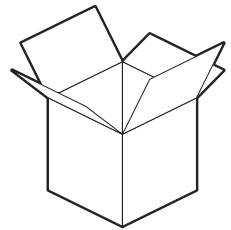
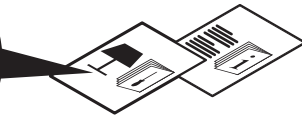
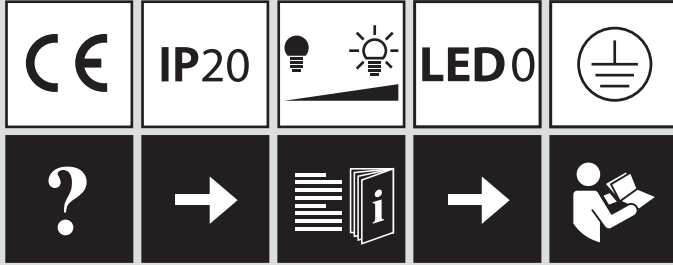
EGGBOARD MATRIX 1600x800

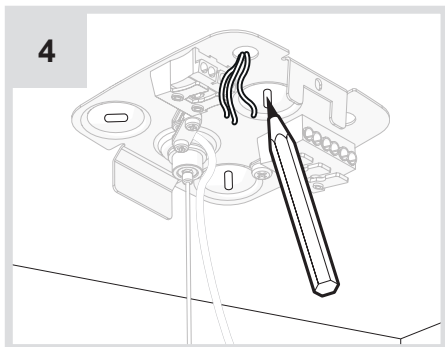
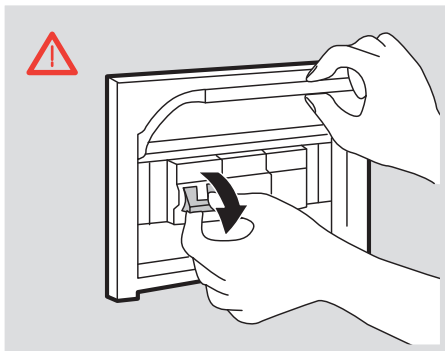
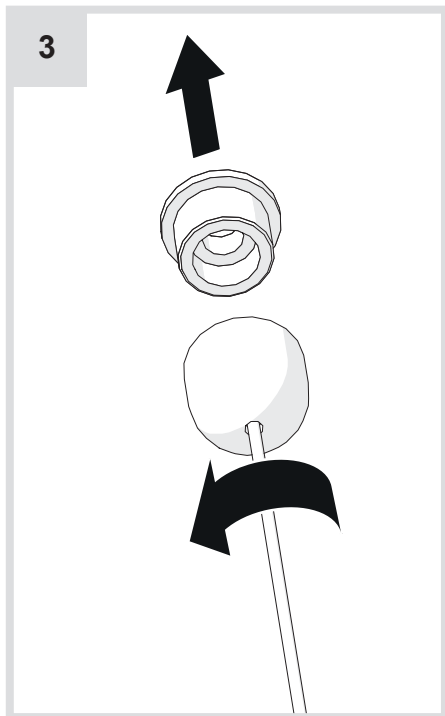
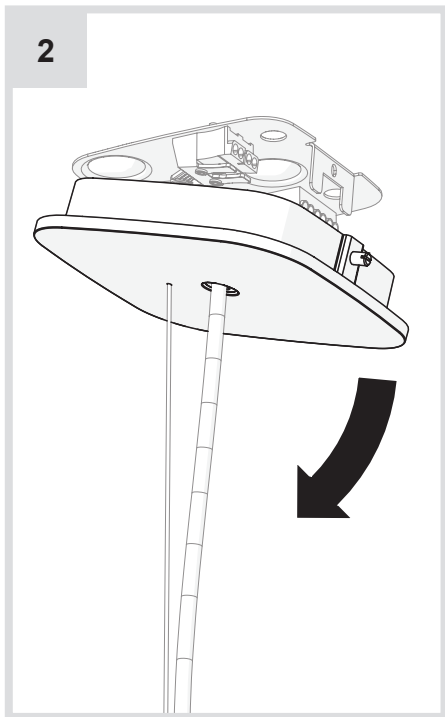
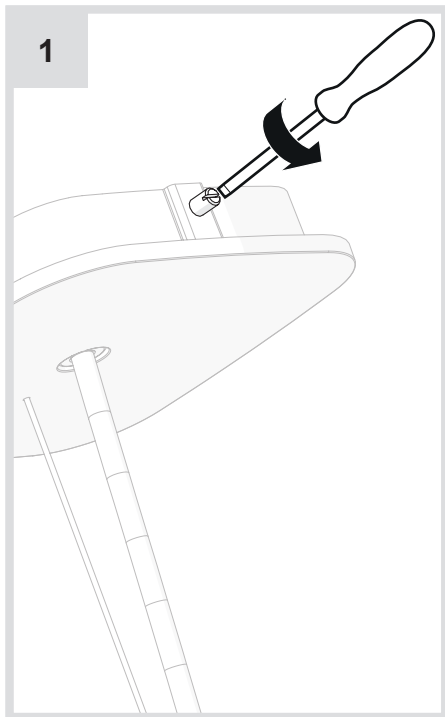
design
Progetto CMR

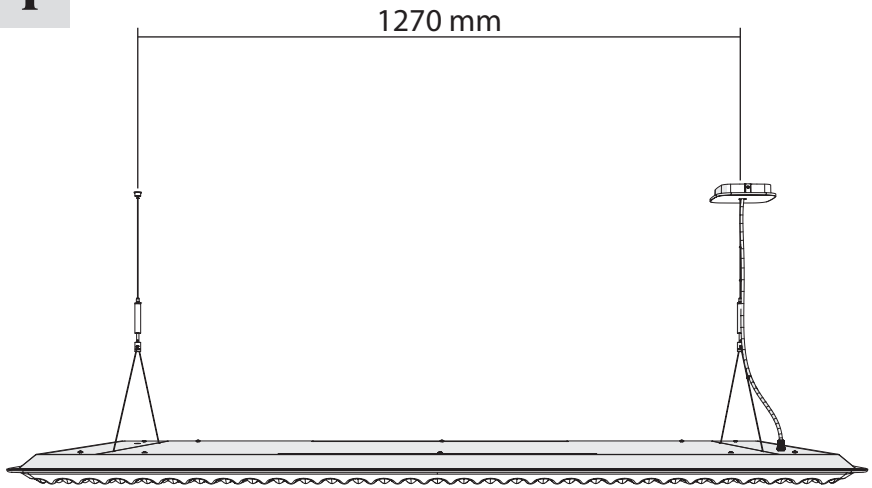
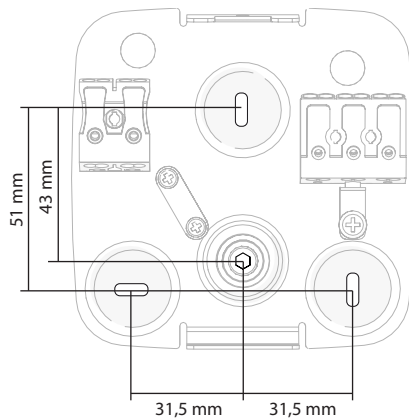
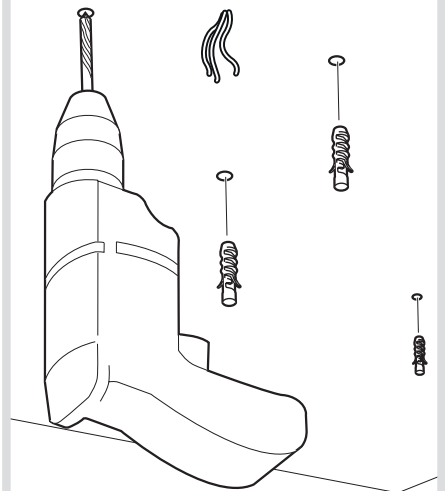




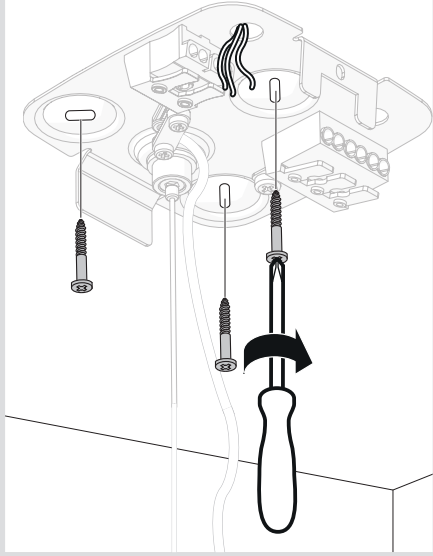
i



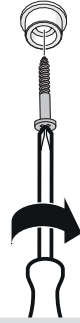


i**i****5**

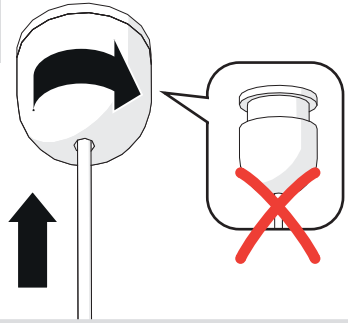
6



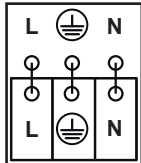
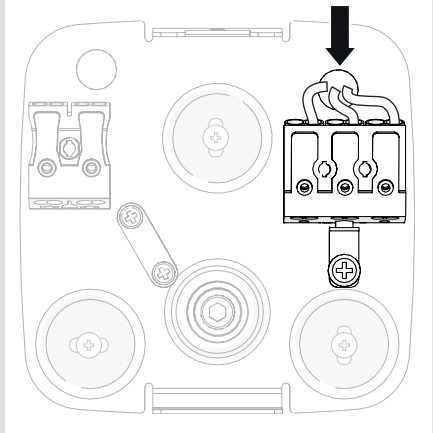
7



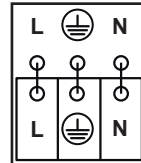
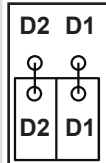
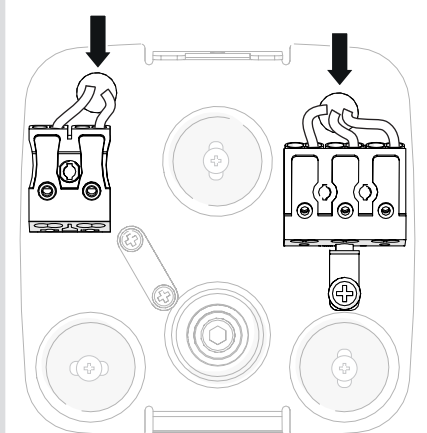
8



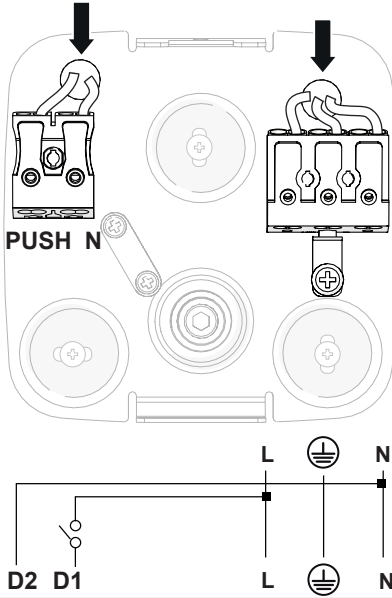
9a



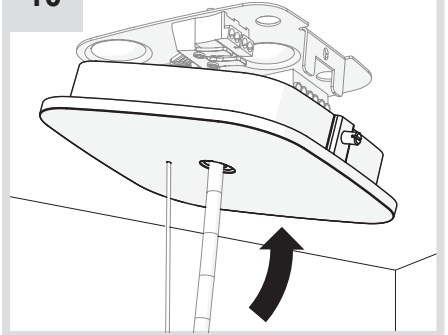
9b



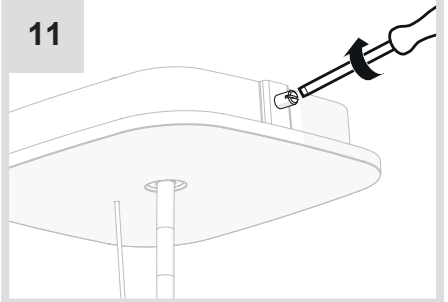
9c



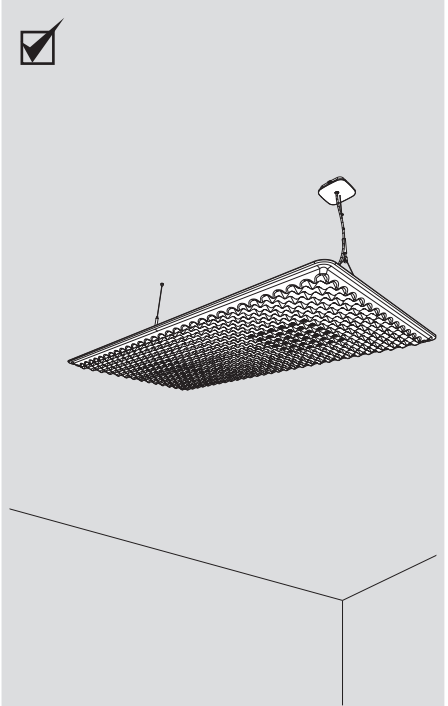
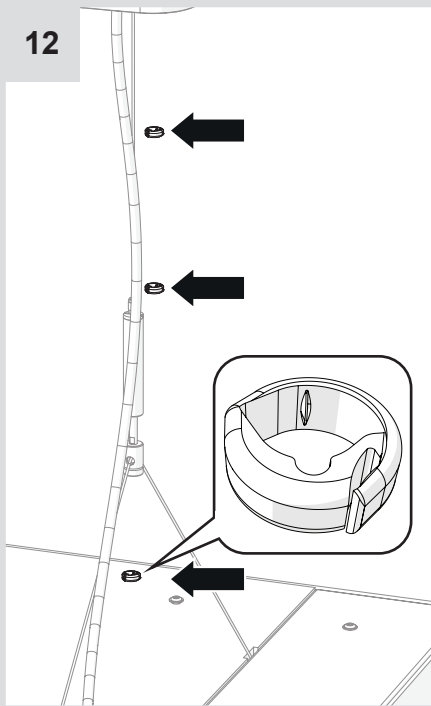
10



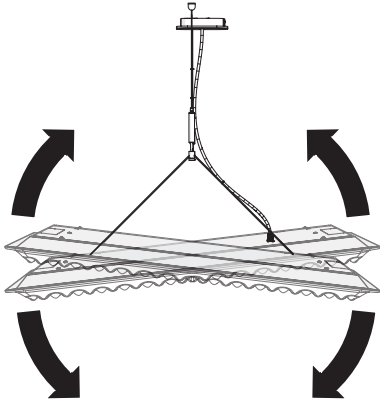
11



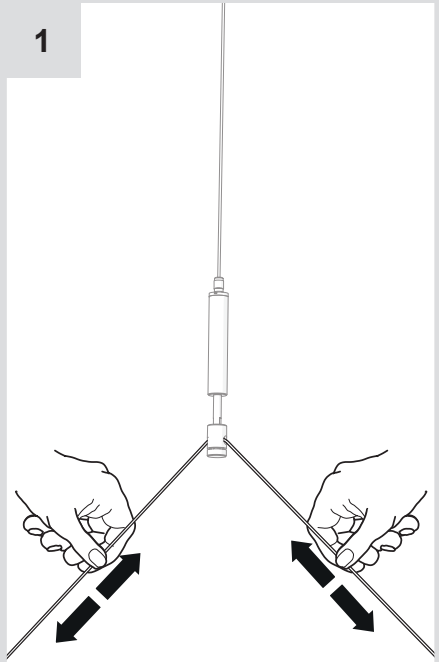
12



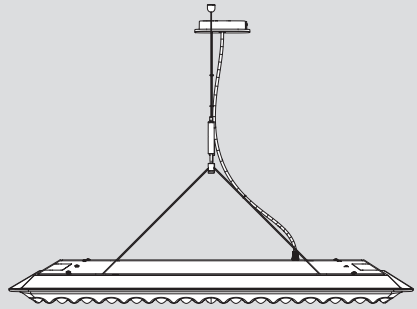
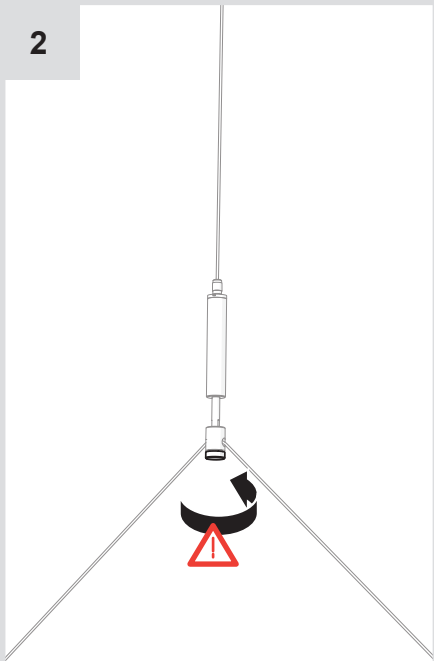
i



1



2



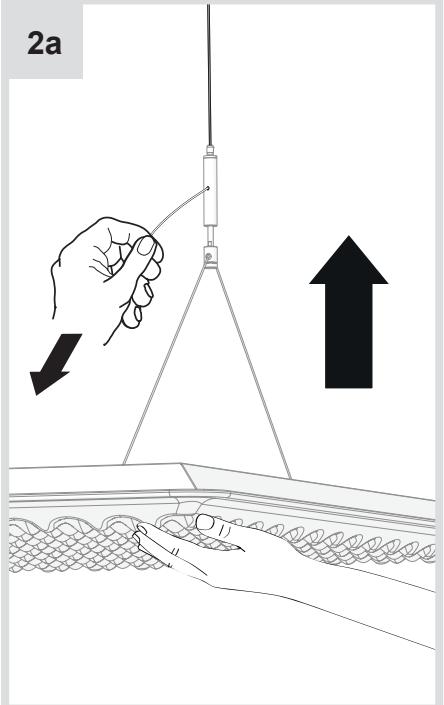
i



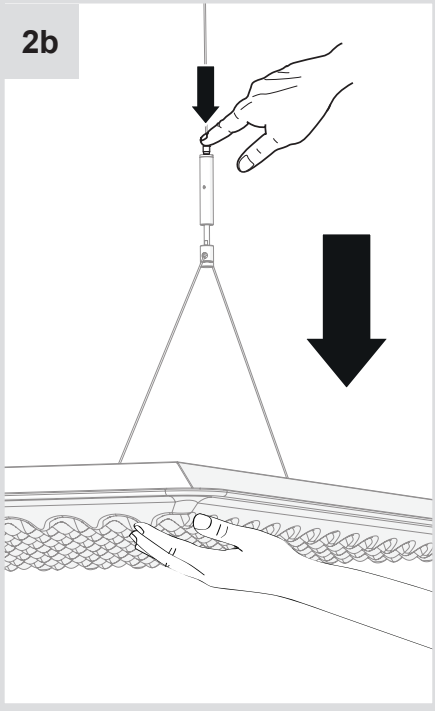
1



2a



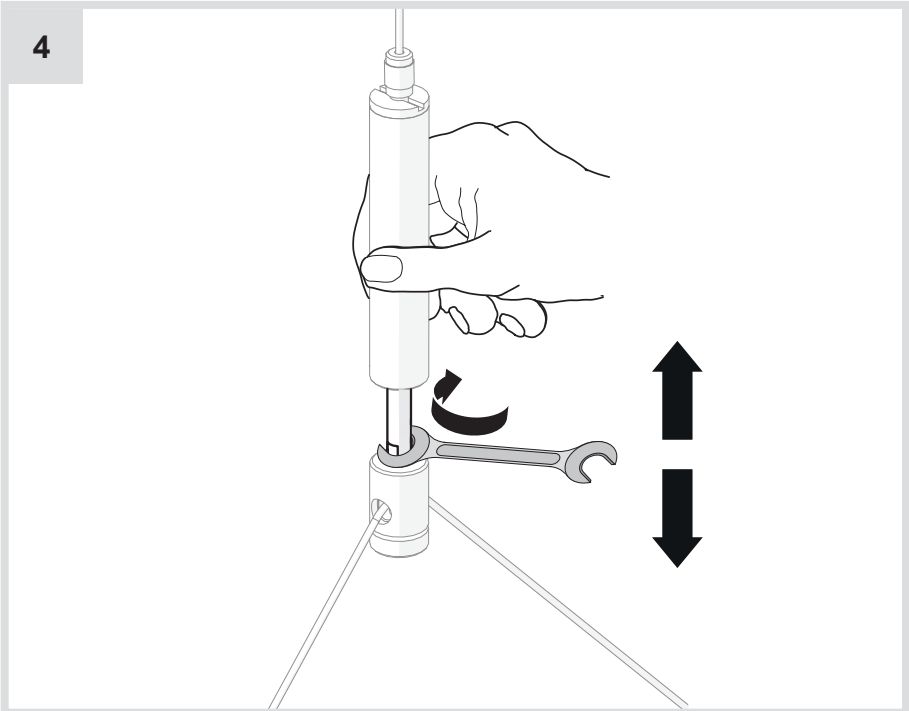
2b



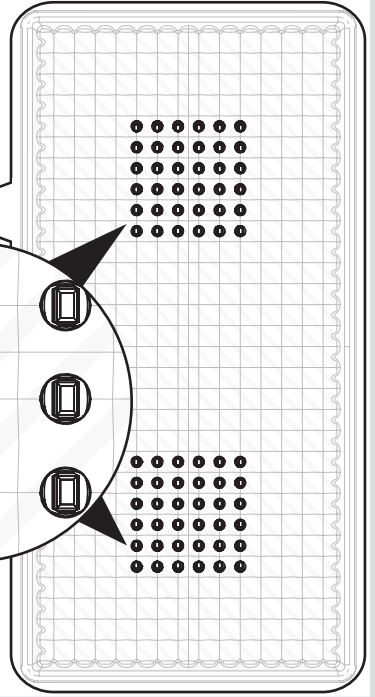
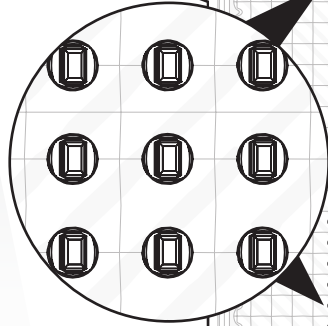
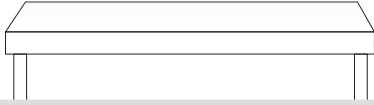
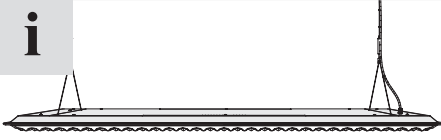
3



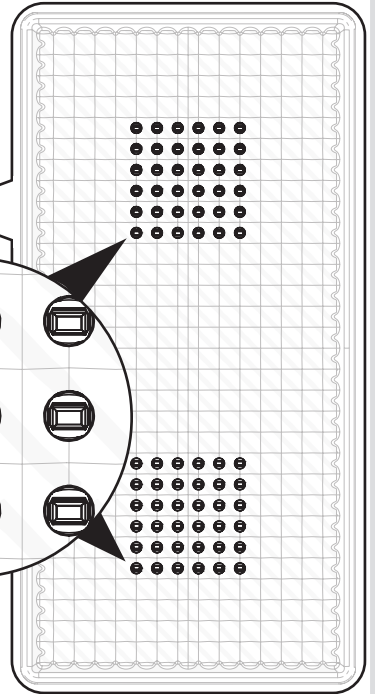
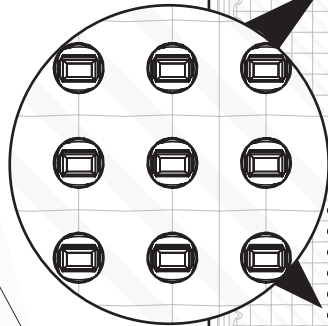
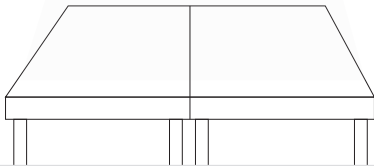
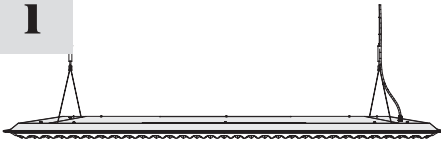
4



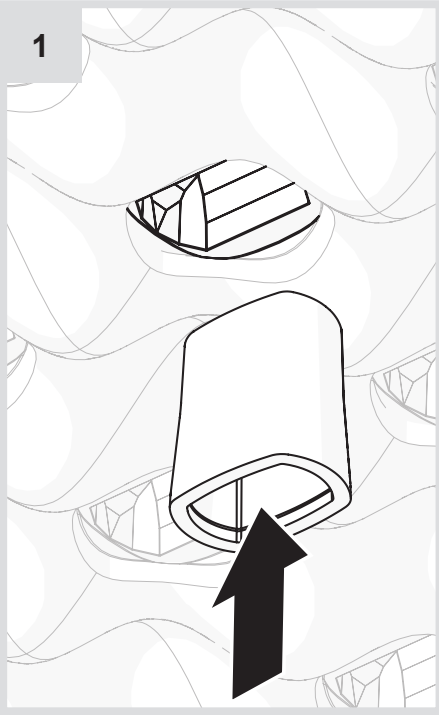
i



i

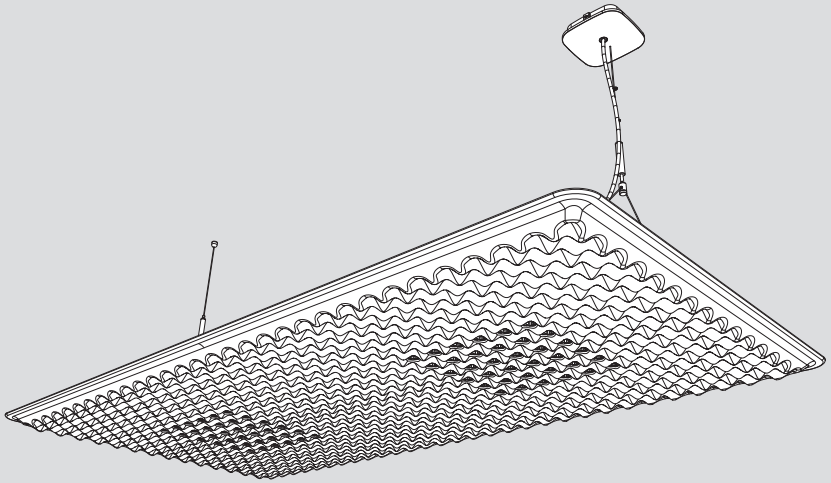


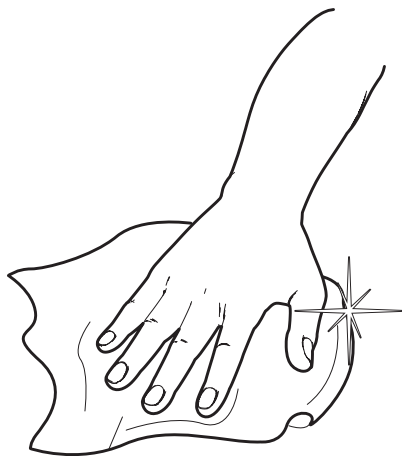
1



2







Artemide[®]
ARCHITECTURAL



Artemide Spa

via Bergamo, 18
20010 Pregnana M.se (MI)
ITALIA

Tel. +39 02 935 181
Fax +39 02 935 90 254
Fax +39 02 935 90 496

www.artemide.com

VAT IT00846890150

cod. Y513000490