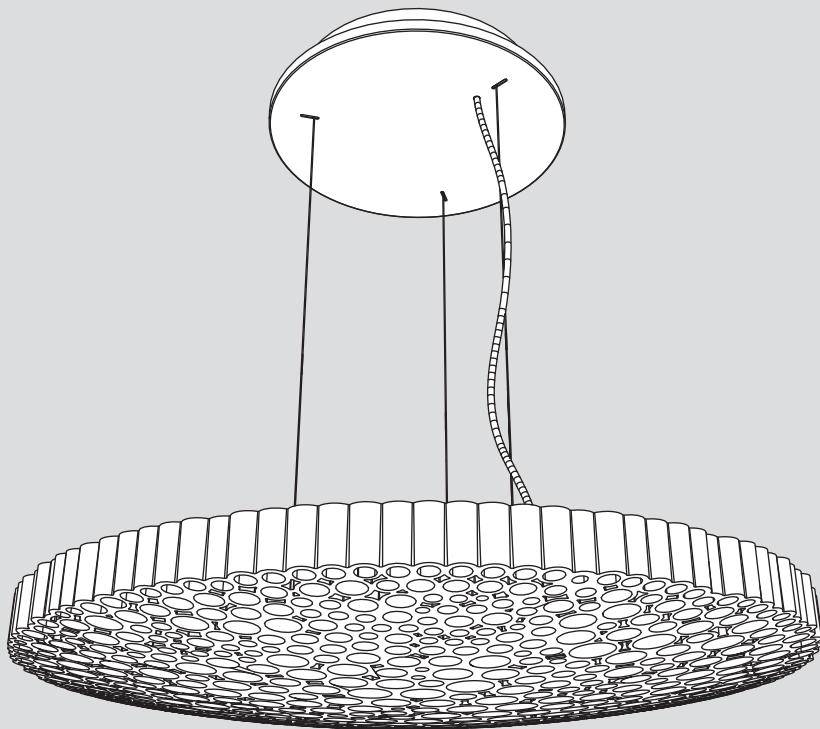


# Artemide®

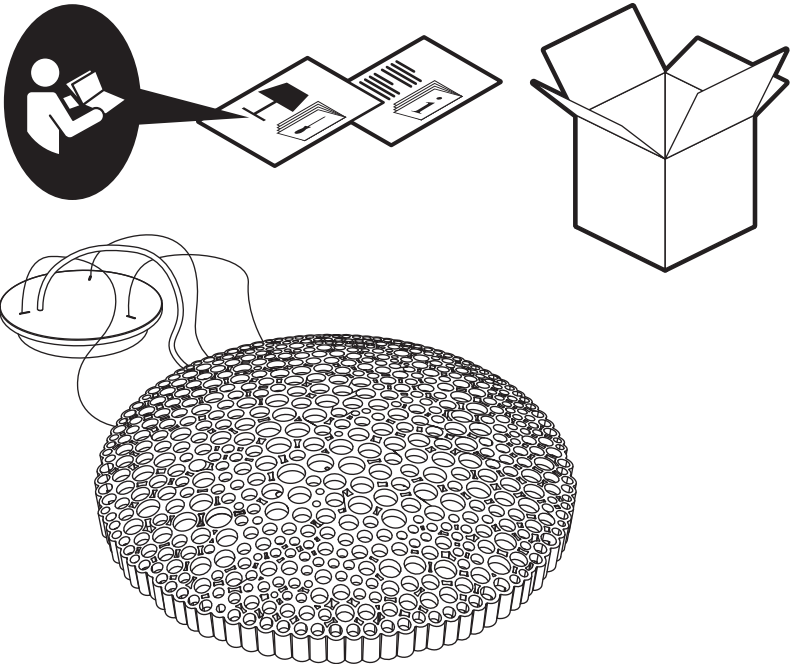
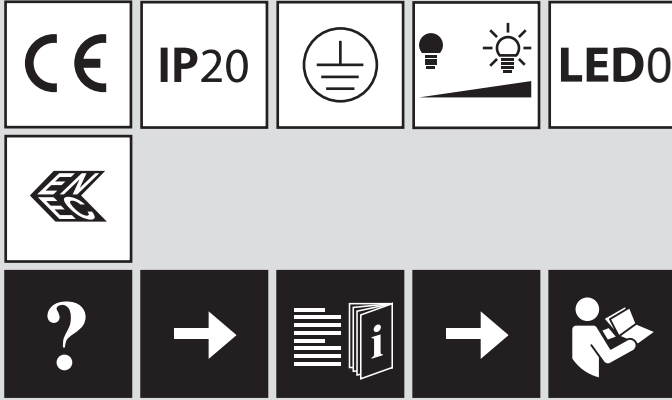
## Calipso DALI

design  
N. Poulton

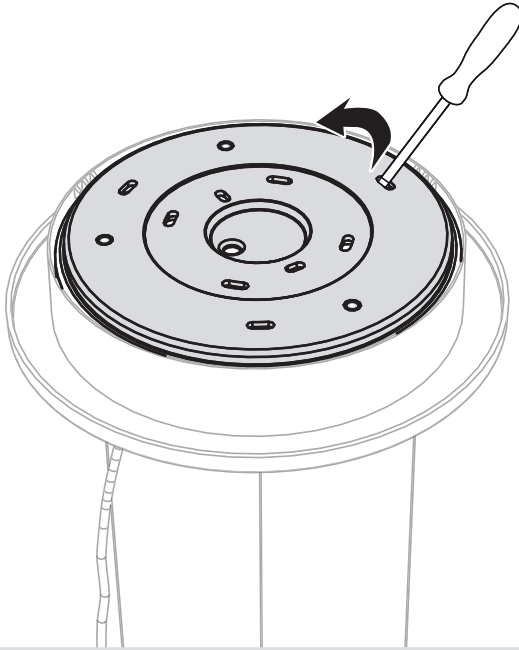




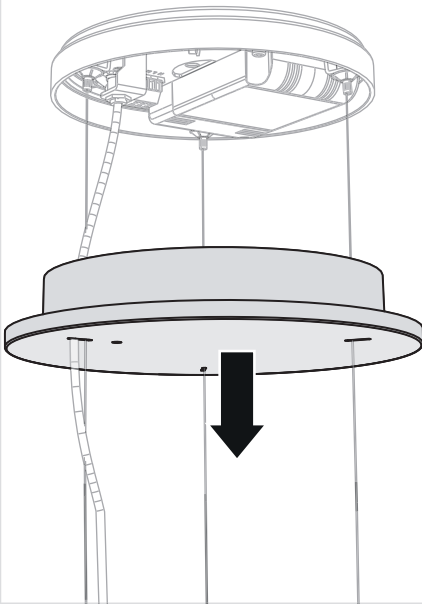
i



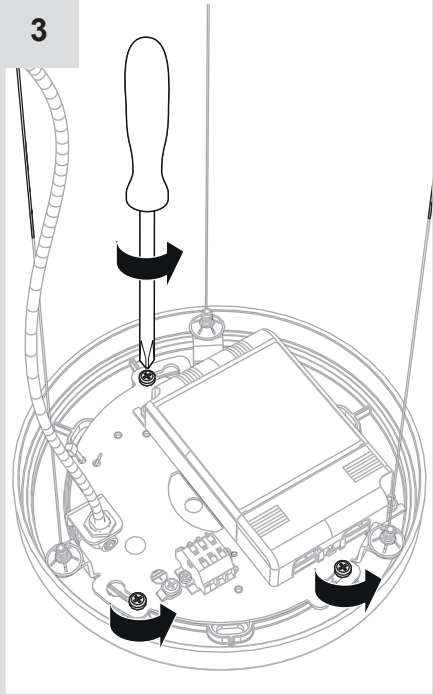
1



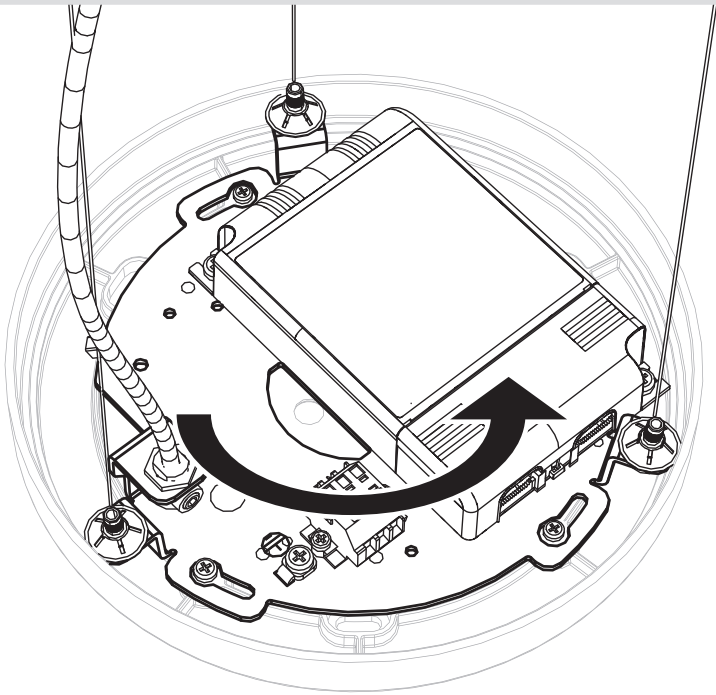
2



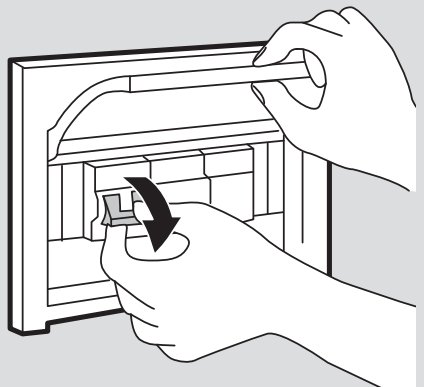
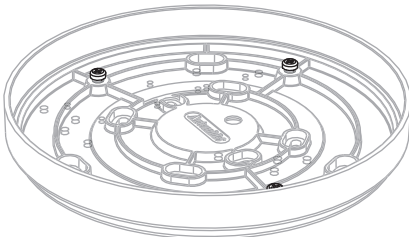
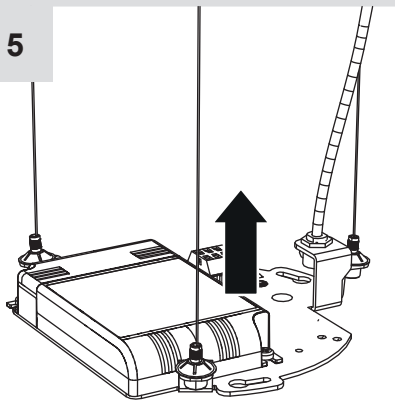
3



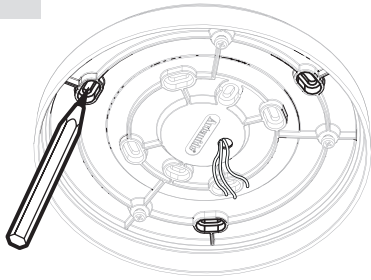
4



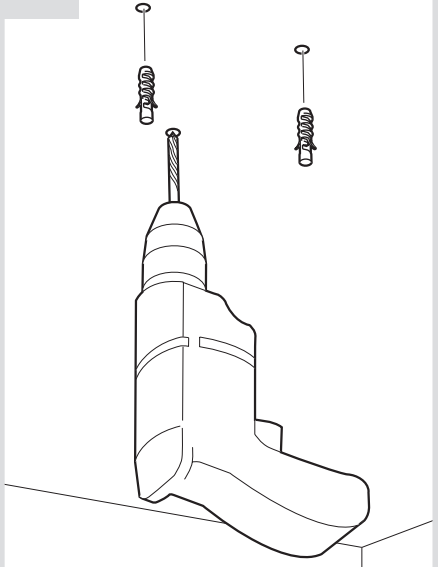
5



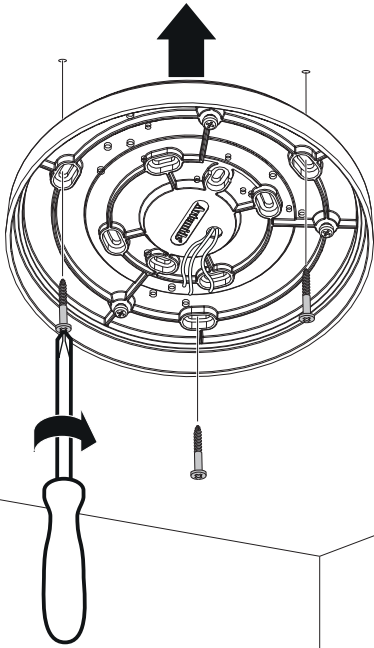
6

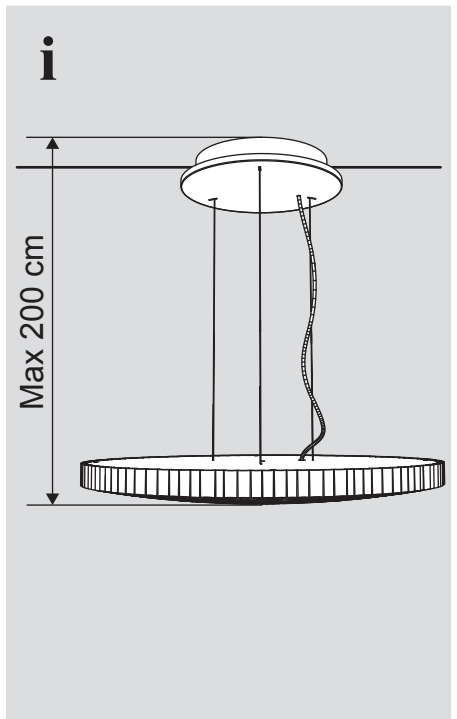
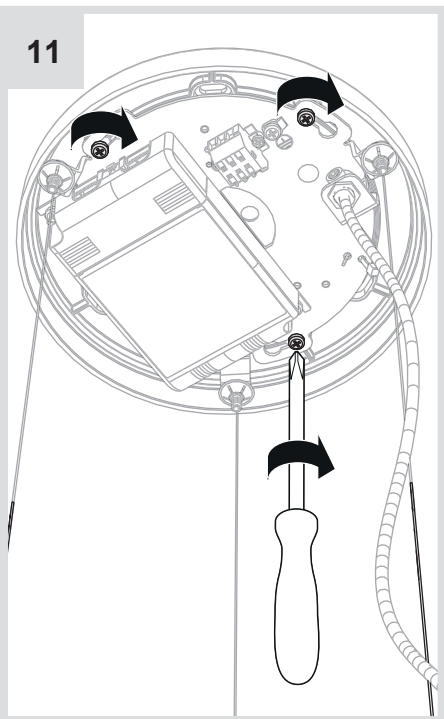
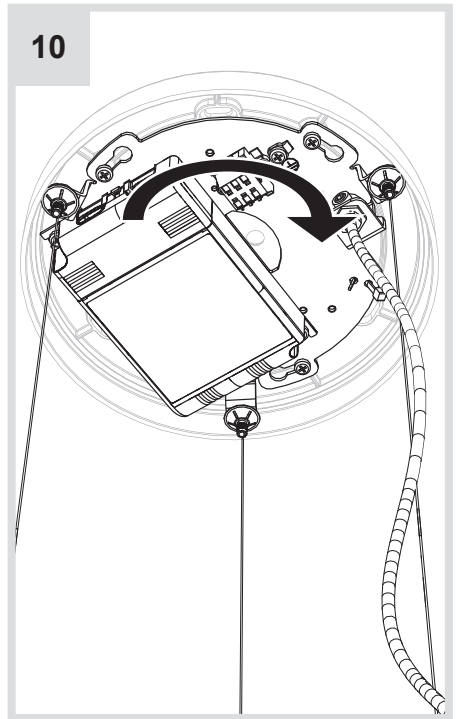
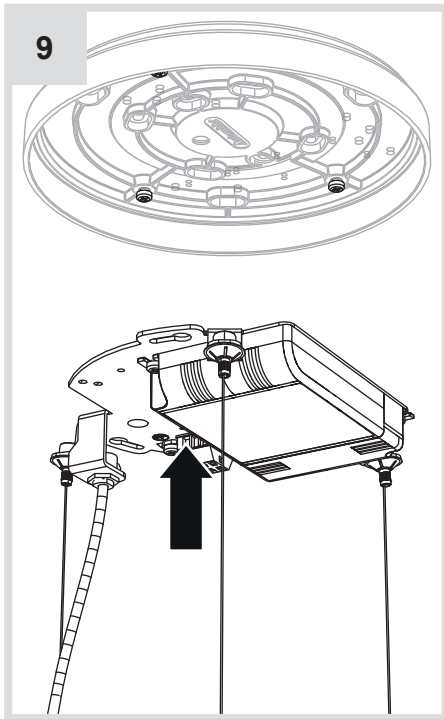


7

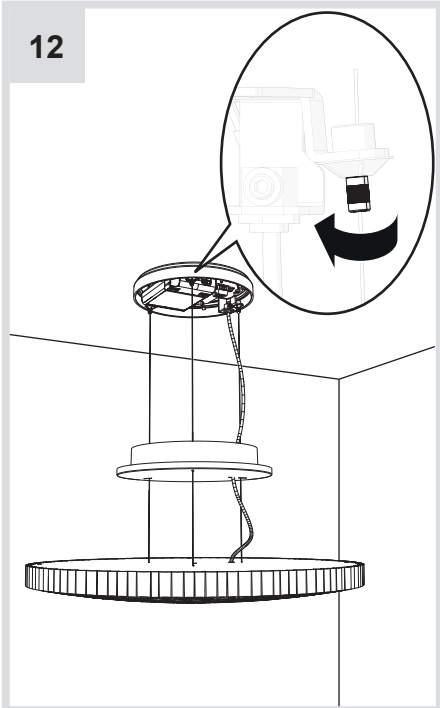


8

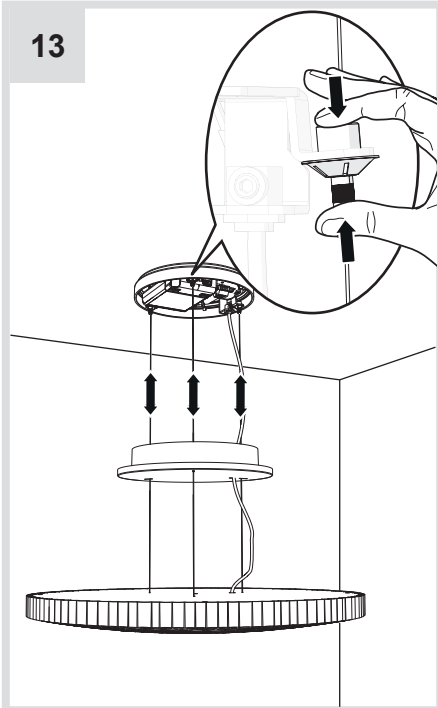




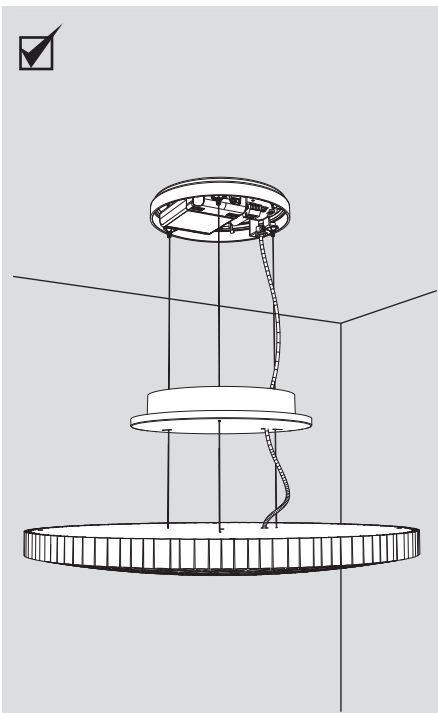
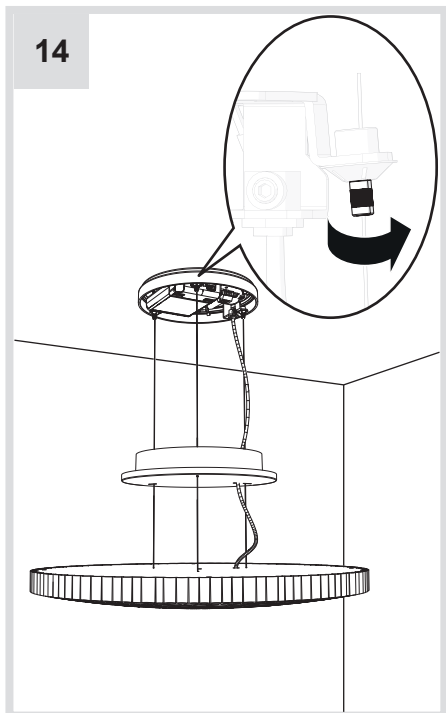
12



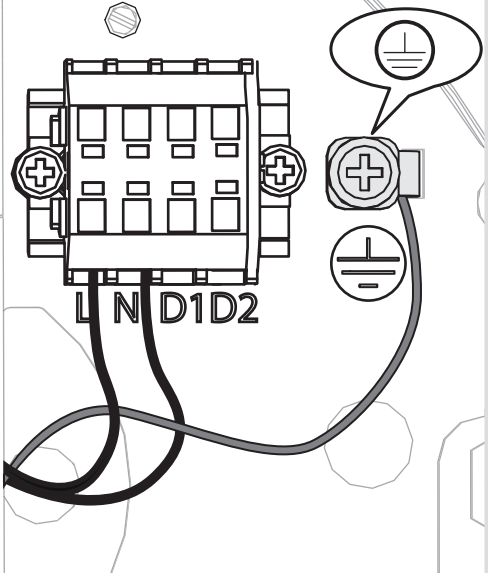
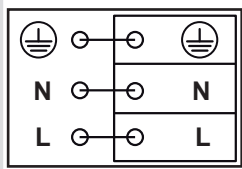
13



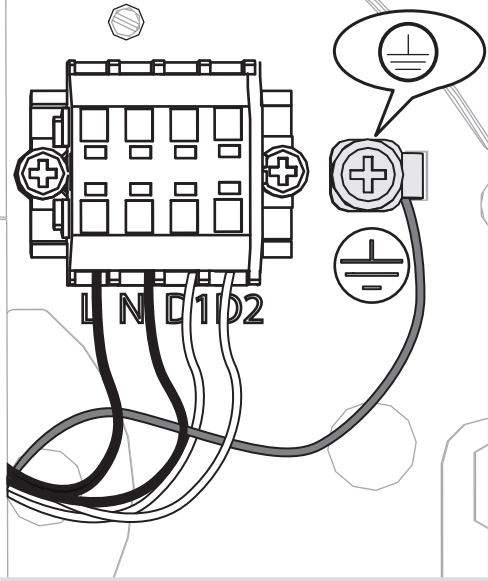
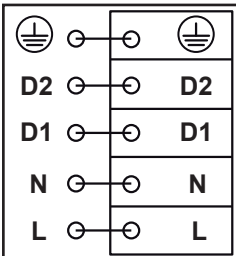
14



15a

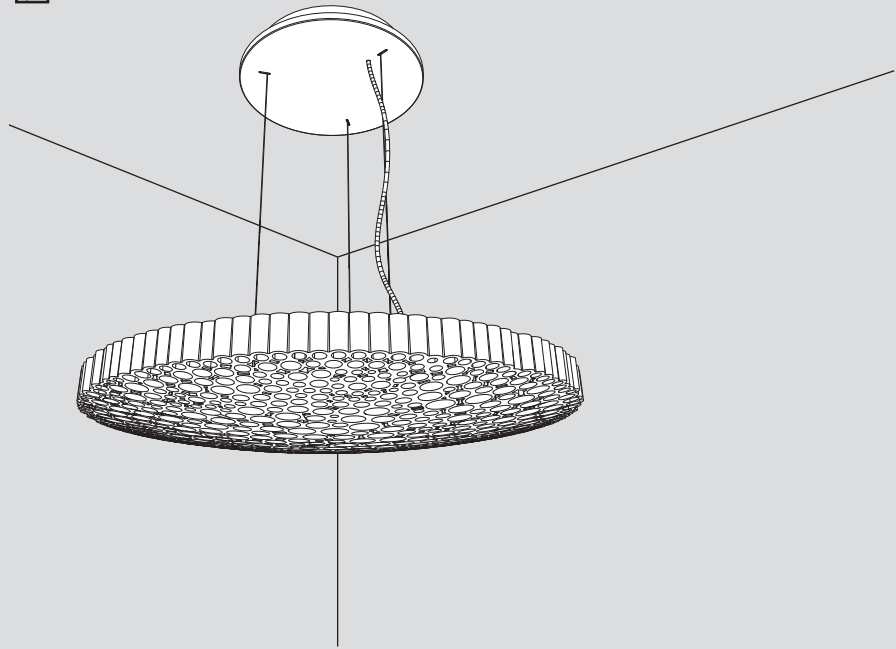
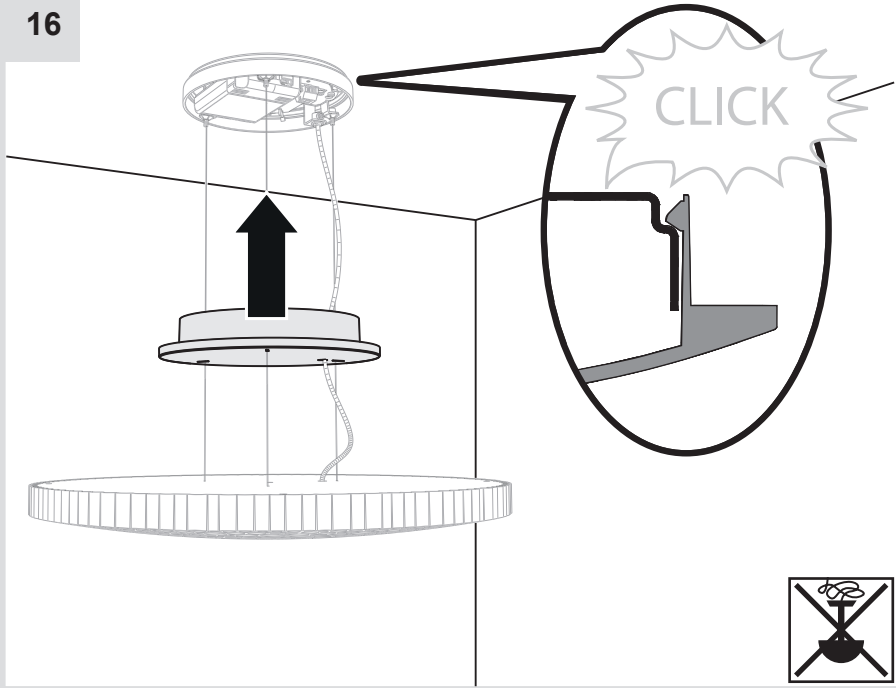


15b

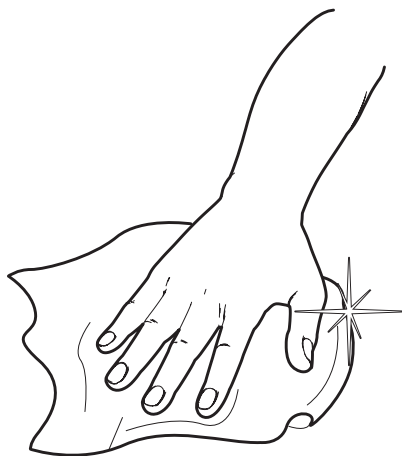




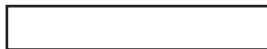
16







**Artemide®**



## **Artemide**

via Bergamo, 18  
20010 Pregnana M.se (MI)  
ITALIA

tel. +39 02 935 181  
fax +39 02 935 90 254  
fax +39 02 935 90 496

[www.artemide.com](http://www.artemide.com)

VAT IT00846890150

cod. Y513001063