

Vector Track 55 25W 32° 4000K Undimmable Black



IP20 

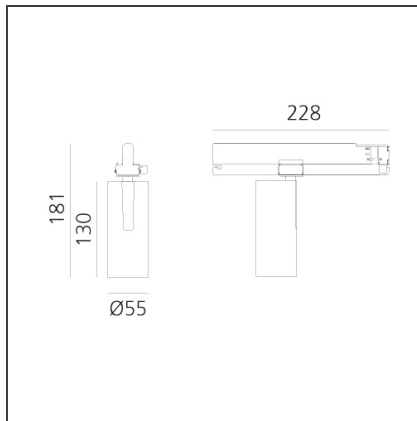
DESIGN BY

Carlotta de Bevilacqua

DESCRIPTION

Three sizes with three different beam angles each (spot, flood, wide flood) obtained by means of refractive or hybrid optical units. Vector 55 track DALI zoom optic (22°-32°). Junction arm integrated in the spotlight's body to keep the barycentre aligned with the track and prevent any imbalance in possible suspension versions of the track. The junction allows 360° rotation and 90° tilting for maximum emission adjustment freedom. Vector 95 available only in track version. Version with compact 4-conductor (3p+n) adapter with hidden LED driver and not-dimmable phase selector.

TECHNICAL DRAWINGS



FEATURES

| | | | |
|----------------------|------------------|----------------|-------------------------------------|
| Article Code: | AN15304 | Series: | Indoor, 2018 Artemide Collection |
| Colour: | Black | | |
| Installation: | Projector, Track | | |
| Environment: | Indoor | | |

DIMENSIONS

| | |
|---------------------|---------|
| Height: | cm 18.4 |
| Base Length: | cm 16.2 |
| Inclination: | -90+90 |
| Rotation: | cm 360 |

INCLUDED SOURCES

| | | | |
|------------------|-----|-------------------------------|-------|
| Category: | LED | Color temperature (K): | 4000K |
| Number: | 1 | | |
| Watt: | 25W | | |
| Type: | 0 | | |
| Class: | A | | |

LUMINAIRE

| | | | |
|--------------|-----|--------------------------------------|-----------|
| Watt: | 25W | Delivered lumens output (lm): | 1622lm |
| | | CCT: | 4000K |
| | | Efficiency: | 68% |
| | | Efficacy: | 64.87lm/W |
| | | CRI: | 90 |

Notes

220/240Vac 50/60Hz Electronic ballast included.

ACCESSORIES

Accessories holder
- Vector 55
AP91100



Lens for elliptical
emission - Vector
55
AP91200



Soft filter - Vector
55
AP91300



Anti-dazzle louvre
- Vector 55
AP91400



Adjustable
dowsers - Vector
55
AP91500