

## Vector Track 40 10W 13° 2700K Undimmable Brushed bronze



IP20 

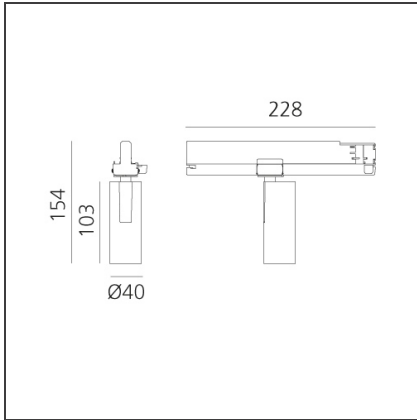
### DESIGN BY

Carlotta de Bevilacqua

### DESCRIPTION

Three sizes with three different beam angles each (spot, flood, wide flood) obtained by means of refractive or hybrid optical units. Vector 55 track DALI zoom optic (22°-32°). Junction arm integrated in the spotlight's body to keep the barycentre aligned with the track and prevent any imbalance in possible suspension versions of the track. The junction allows 360° rotation and 90° tilting for maximum emission adjustment freedom. Vector 95 available only in track version. Version with compact 4-conductor (3p+n) adapter with hidden LED driver and not-dimmable phase selector.

### TECHNICAL DRAWINGS



### FEATURES

<b>Article Code:</b>	AN01120	<b>Series:</b>	Indoor, 2018 Artemide Collection
<b>Colour:</b>	Brushed bronze		
<b>Installation:</b>	Projector, Track		
<b>Environment:</b>	Indoor		

### DIMENSIONS

<b>Height:</b>	cm 15.4
<b>Base Length:</b>	cm 22.8
<b>Inclination:</b>	-90+90
<b>Rotation:</b>	cm 360

### INCLUDED SOURCES

<b>Category:</b>	LED	<b>Color temperature (K):</b>	2700K
<b>Number:</b>	1		
<b>Watt:</b>	10W		
<b>Type:</b>	0		

### LUMINAIRE

<b>Watt:</b>	10W	<b>Delivered lumens output (lm):</b>	505lm
		<b>CCT:</b>	2700K
		<b>Efficiency:</b>	81%
		<b>Efficacy:</b>	50.53lm/W
		<b>CRI:</b>	90

### Notes

220/240Vac 50/60Hz Electronic ballast included.

**ACCESSORIES**

Accessories holder  
- Vector 40  
AP90100



Lens for elliptical  
emission - Vector  
40  
AP90200



Soft filter - Vector  
40  
AP90300



Anti-dazzle louvre  
- Vector 40  
AP90400