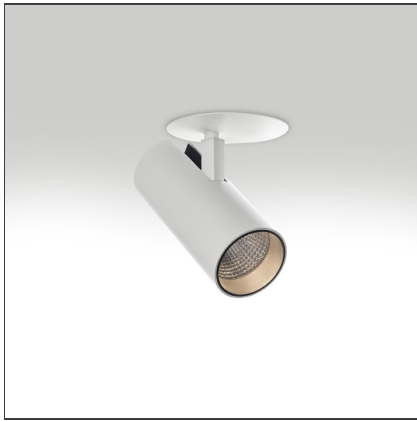


## Vector Semirecessed 55 - 17,5W 16° 3000K Black



IP20 

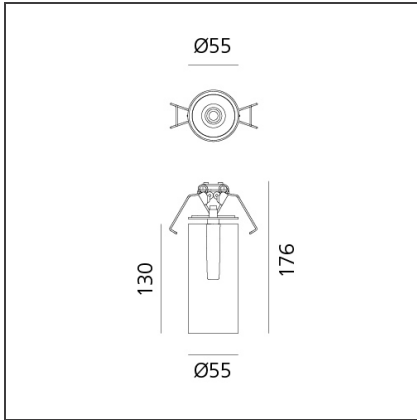
### DESIGN BY

Carlotta de Bevilacqua

### DESCRIPTION

Two sizes with three different beam angles each (spot, flood, wide flood) obtained by means of refractive or hybrid optical units. The junction allows 360° rotation and 90° tilting for maximum emission adjustment freedom. Vector 40 and 55 available version: semirecessed.

### TECHNICAL DRAWINGS



### FEATURES

|                      |                     |                  |                     |
|----------------------|---------------------|------------------|---------------------|
| <b>Article Code:</b> | AP61104             | <b>Material:</b> | Alluminium body     |
| <b>Colour:</b>       | Black               | <b>Series:</b>   | Indoor, 2018        |
| <b>Installation:</b> | Projector, Recessed |                  | Artemide Collection |
| <b>Environment:</b>  | Indoor              |                  |                     |

### DIMENSIONS

|                       |         |                         |      |
|-----------------------|---------|-------------------------|------|
| <b>Height:</b>        | cm 19   | <b>Cutout diameter:</b> | cm 5 |
| <b>Base Diameter:</b> | cm 10.8 |                         |      |
| <b>Inclination:</b>   | -90+90  |                         |      |
| <b>Rotation:</b>      | cm 360  |                         |      |

### INCLUDED SOURCES

|                  |       |                               |                 |
|------------------|-------|-------------------------------|-----------------|
| <b>Category:</b> | LED   | <b>Color temperature (K):</b> | 3000K           |
| <b>Number:</b>   | 1     | <b>Color Tolerance:</b>       | MacAdam 3SDCM   |
| <b>Watt:</b>     | 17,5W | <b>CRI:</b>                   | 90              |
| <b>Type:</b>     | 0     | <b>Service Life:</b>          | L70 (6K) 50000h |

### LUMINAIRE

|              |     |                                      |           |
|--------------|-----|--------------------------------------|-----------|
| <b>Watt:</b> | 21W | <b>Delivered lumens output (lm):</b> | 1492lm    |
|              |     | <b>CCT:</b>                          | 3000K     |
|              |     | <b>Efficiency:</b>                   | 64%       |
|              |     | <b>Efficacy:</b>                     | 71.06lm/W |
|              |     | <b>CRI:</b>                          | 90        |

### Notes

Driver 700/600mA SELV supplied separately. Depending on the driver, the product can be dimmable DALI or undimmable.

**ACCESSORIES**

Driver 15-32W  
500-700mA - 220-  
24Vac -  
Undimmable -  
146,5x43,5x22 mm  
(LxWxH)  
dv1030



Driver 11-25W  
500-700mA - 220-  
24Vac - Dimmable  
DALI -  
164x38x24,5 mm  
(LxWxH)  
dv1031