

Vector Semirecessed 40 - 8W 20° 3000K Brushed bronze



IP20 

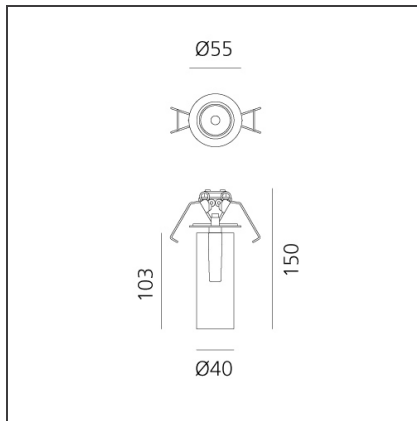
DESIGN BY

Carlotta de Bevilacqua

DESCRIPTION

Two sizes with three different beam angles each (spot, flood, wide flood) obtained by means of refractive or hybrid optical units. The junction allows 360° rotation and 90° tilting for maximum emission adjustment freedom. Vector 40 and 55 available version: semirecessed.

TECHNICAL DRAWINGS



FEATURES

| | | | |
|----------------------|---------------------|------------------|---------------------|
| Article Code: | AP60220 | Material: | Alluminium body |
| Colour: | Brushed bronze | Series: | Indoor, 2018 |
| Installation: | Projector, Recessed | | Artemide Collection |
| Environment: | Indoor | | |

DIMENSIONS

| | | | |
|-----------------------|---------|-------------------------|------|
| Height: | cm 16.3 | Cutout diameter: | cm 5 |
| Base Diameter: | cm 10.8 | | |
| Inclination: | -90+90 | | |
| Rotation: | cm 360 | | |

INCLUDED SOURCES

| | | | |
|------------------|-----|-------------------------------|-----------------|
| Category: | LED | Color temperature (K): | 3000K |
| Number: | 1 | Color Tolerance: | MacAdam 3SDCM |
| Watt: | 8W | CRI: | 90 |
| Type: | 0 | Service Life: | L70 (6K) 50000h |

LUMINAIRE

| | | | |
|--------------|----|--------------------------------------|-----------|
| Watt: | 8W | Delivered lumens output (lm): | 584lm |
| | | CCT: | 3000K |
| | | Efficiency: | 69% |
| | | Efficacy: | 73.03lm/W |
| | | CRI: | 90 |

Notes

Driver 700/600mA SELV supplied separately. Depending on the driver, the product can be dimmable DALI or undimmable.

ACCESSORIES

Driver 15-32W
500-700mA - 220-
24Vac -
Undimmable -
146,5x43,5x22 mm
(LxWxH)
dv1030



Driver 11-25W
500-700mA - 220-
24Vac - Dimmable
DALI -
164x38x24,5 mm
(LxWxH)
dv1031