

Vector Magnetic 55 - 26W 22° 4000K DALI Brushed silver



IP20   Dimmerable: 

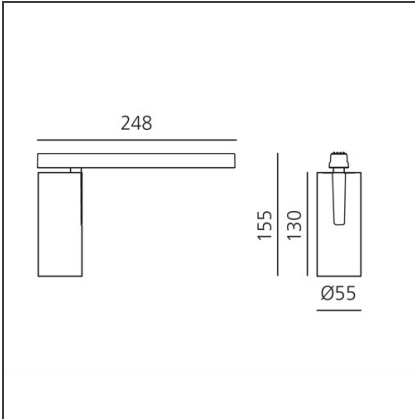
DESIGN BY

Carlotta de Bevilacqua

DESCRIPTION

Two sizes with three different beam angles each (spot, flood, wide flood) obtained by means of refractive or hybrid optical units. Junction arm integrated in the spotlight's body to keep the barycentre aligned with the track and prevent any imbalance in possible suspension versions of the track. The junction allows 360° rotation and 90° tilting for maximum emission adjustment freedom.

TECHNICAL DRAWINGS



FEATURES

| | | | |
|----------------------|------------------|----------------|---------------------|
| Article Code: | AP15215 | Series: | Indoor, 2018 |
| Colour: | Brushed silver | | Artemide Collection |
| Installation: | Projector, Track | | |
| Environment: | Indoor | | |

DIMENSIONS

| | |
|---------------------|---------|
| Height: | cm 15.5 |
| Weight: | kg 0.5 |
| Base Length: | cm 24.8 |
| Inclination: | -90+90 |
| Rotation: | cm 360 |

INCLUDED SOURCES

| | | | |
|------------------|-----|-------------------------------|-----------------|
| Category: | LED | Color temperature (K): | 4000K |
| Number: | 1 | Color Tolerance: | MacAdam 3SDCM |
| Watt: | 26W | CRI: | 90 |
| Type: | 0 | Service Life: | L70 (6K) 50000h |

LUMINAIRE

| | | | |
|--------------|-----|--------------------------------------|-----------|
| Watt: | 26W | Delivered lumens output (lm): | 1489lm |
| | | CCT: | 4000K |
| | | Efficiency: | 62% |
| | | Efficacy: | 57.26lm/W |
| | | CRI: | 90 |
| | | Dimmable Typology: | Dali |

Notes

For operation use only Artemide Power Supply kit.

ACCESSORIES

Accessories holder
- Vector 55
AP91100



Lens for elliptical
emission - Vector
55
AP91200



Soft filter - Vector
55
AP91300



Anti-dazzle louvre
- Vector 55
AP91400



Adjustable
dowsers - Vector
55
AP91500