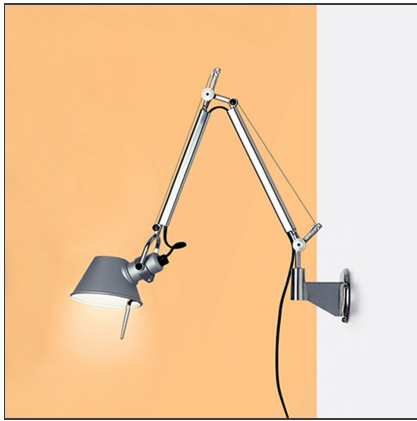


Tolomeo Micro Wall LED 2700K



IP20    

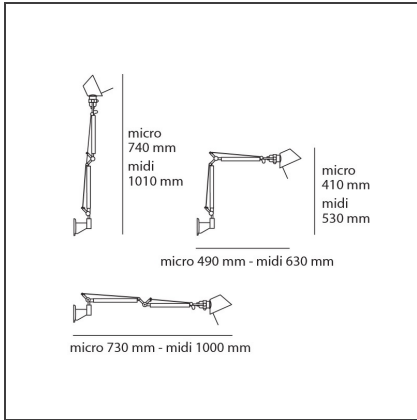
DESIGN BY

Michele De Lucchi, Giancarlo Fassina

DESCRIPTION

Cantilevered arms in polished aluminium; diffuser in anodised aluminium; joints and wall support in polished aluminium. System of spring balancing. The code refers to the luminaire's body only

TECHNICAL DRAWINGS



FEATURES

Article Code:	A0103W00	Material:	Aluminium
Colour:	Aluminium	Series:	Design
Installation:	Wall		

DIMENSIONS

Length:	cm 49	Max Extension Length:	cm 73
Height:	cm 41	Glow Wire Test:	750
Max Extension Height:	cm 74		

INCLUDED SOURCES

Category:	LED	Color temperature (K):	2700K
Number:	1	CRI:	90
Watt:	9W		
Type:	0		
Class:	A		

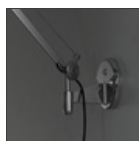
LUMINAIRE

Transformer availability:	Electronic dimmable - Included	Delivered lumens output (lm):	461lm
Watt:	9W	CCT:	2700K
Voltage:	24V	Efficiency:	63%
		Efficacy:	51lm/W
		CRI:	90
		Dimmer Typology:	Microswitch Dimmer

Notes

Possibility to mount LED source on E14 Socket

ACCESSORIES



TOLOMEO
SUPPORTO
PARETE NEW
A025150